

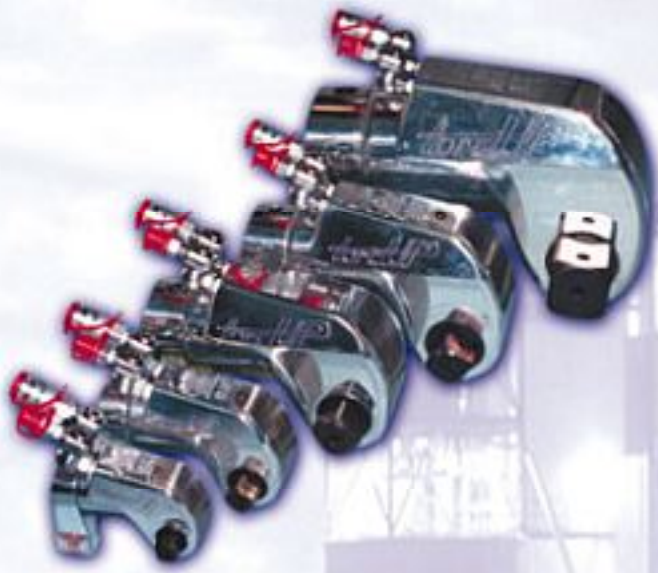


HYDRAULIC BOLTING

torcupTM

TOOL TECHNOLOGY

www.torcup.com



HYDRAULIC: *hy*drau*lic (adjective)*

Operated by the resistance offered or the pressure transmitted when a quantity of liquid (as water or oil) is forced through a comparatively small orifice or through a tube

TORQUE: *torque (noun)*

A force that produces or tends to produce rotation or torsion: also: a measure of the effectiveness of such a force that consists of the product of the force and the perpendicular distance from the line of action of the force to the axis of rotation

WRENCH: *wrench (noun)*

A hand or power tool for holding, twisting or turning an object (as a bolt or nut)

HYDRAULIC TORQUE WRENCH: hy*drau*lic torque wrench (noun)

***torcUP*[™] The only true definition
of a Hydraulic Torque Wrench!**

The true merit of any industrial tool is how well it performs...on the job. *torcUP*[™], the fastest growing manufacturer of high quality precision bolting equipment, puts tools to the test everyday in the harshest working environments. Every tool that bears the *torcUP*[™] name has undergone a battery of application tests.

torcUP[™] tools outperform the competition...HANDS DOWN!!

torcUP[™] was founded on the principle of "Designing our tools according to the requirements of the people who use hydraulic torque wrenches". We fit, work and succeed on every application every day!!



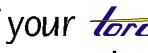




**Our Excellence Is Achieved
Through Innovation!!**


Table of Contents

TU Square Drive At A Glance	Page 4
TX Low Profile At A Glance	Page 5
TU Square Drive Benefits & Features	Page 6
TU Square Drive Specifications & Dimensions	Page 7
TX Low Profile Benefits & Features	Page 8
TX Low Profile Specifications & Dimensions	Page 9
TX Link Specifications	Page 10
Quadra-Torc System Analysis	Page 11
Quadra Torc Hydraulic Pumps Features & Benefits	Page 12
Quadra TorcUP Hydraulic Pump Specifications	Page 13
TU Square Drive Accessories	Page 14
TX Low Profile Accessories	Page 15

The ™ Comprehensive Warranty

- You will be completely satisfied with the performance, the operation, the support and the overall value of your ™ system.
- Your staff will be thoroughly trained to your satisfaction, on the proper operation and care of your ™ components.
- If your ™ system should fail to operate properly under normal usage within 13 months of purchase, your system will be repaired at NO CHARGE. In fact, we encourage our customers to schedule a routine visit by their ™ representative after 11 or 12 months of usage, in order to ensure that you receive any warranty repairs that you are entitled to!
- If your ™ system cannot be repaired under warranty at your site, we will gladly furnish you with loaner components as needed, at NO CHARGE to you.

Call 1-888-TORCUP-1 for a no charge on-site application demonstration.

Put ™ to the test on your next job!

SQUARE DRIVE TORQUE WRENCH



Simply...
**"The Most Advanced Wrench
Ever Produced"**

Faster Stroke!
Anti-Back Lash Mechanism!
Hands-Off Operation!
Accurate Repeatability!
Less Moving Parts!
Patented Mono-Body Housing!
Unique Design to Fit Every Application!

These are only a few of the improvements that *torcUP*[™] has brought to the industry!

**Put a TU Series Wrench On Your Application TODAY And See For Yourself Why
torcUP[™] is The Worldwide Leader In Bolting Tool Technology!**

LOW PROFILE TORQUE WRENCH



Simply...
**"The Flattest Hydraulic Wrench
Ever Produced"**

Flat Design from Cylinder to Link!

Unique "Peanut Shaped" Piston!

Direct Flow Oil Distribution for Faster Stroke!

Less Moving Parts!

Accurate Repeatability!

Hands-Off Operation!

These are only a few of the reasons why the *torcUp*[™] TX is the **Only Tool Of It's Kind!**

**Find Out For Yourself!!! Put A TX On Your Application And
See Why *torcUp*[™] Fits Where Others Will Not!**

TU Square Drive - The Performer



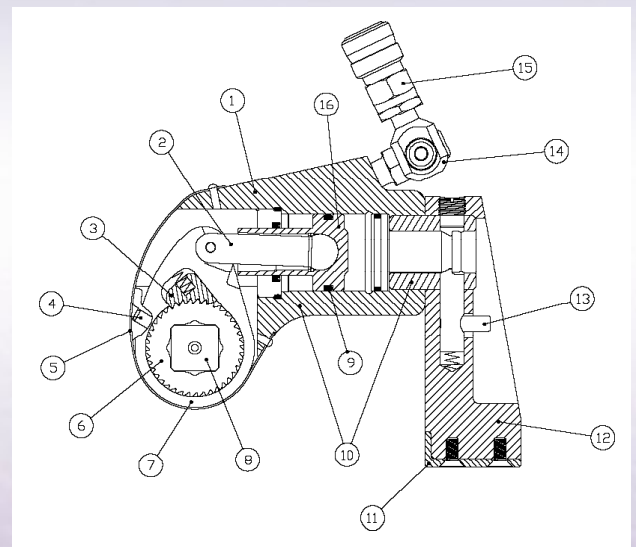
The *torcUP*™ Multi-Application TU Series is the tool of choice on every application in every industry. Whether in a Steel Mill, on an Offshore Drill Platform or Diving to the Ocean Bottom a *torcUP*™ TU Wrench will OUTPERFORM every other method of Tightening Threaded Fasteners.

Tensioners...Impact Wrenches...Nut Runners...Slugging Wrenches...Are No Match For A TU Hydraulic Wrench On Any Application!!

Other Hydraulic Wrench Manufacturers? NOT A CHANCE!!

torcUP™ Wrenches Provide the Power To Get the Job Done...
The First Time!!

1. **Patented Mono-Body Housing** – A TorcUP Exclusive!!
2. **Balanced Drive Rod** – Side Load Free Piston Movement
3. **Never-Lock Drive Pawl** – Ensures Tool Will NEVER Lock Up
4. **Anti-Back Lash Mechanism** – Provides Hands Free Operation
5. **Laser Engraved Torque Chart** – No More Searching For Charts
6. **Multi-Tooth Ratchet** – Allows For 27 Degree Torque Stroke Accuracy
7. **One Piece Drive Plate** – Robust Alloy Provides For Small Nose Radius
8. **Push-Through-Drive** – Simply Push To Switch From Loosen To Tighten
9. **Single Seal Piston** – Assures Extended Maintenance Free Operation
10. **Direct Housing Reaction** – Allows Use Of Tool Without Reaction Arm
11. **Steel Reaction Boot** – Field Replaceable Feature Protects Reaction Arm
12. **Long Length Reaction Arm** – Allows For Reaction On All Applications
13. **Reaction Arm Release Button** – Protected Within Reaction Arm Housing
14. **360 X 360 Swivel** – Allows Hose To Be Cleared On All Applications
15. **No-Drip Quick Connect Couplers** – Assures Easy And Safe Operation
16. **Steel Alloy Piston** – Robust Composition Allows For Longer Operation Cycle



TU-3 Achieves Proper Torque In Seconds!

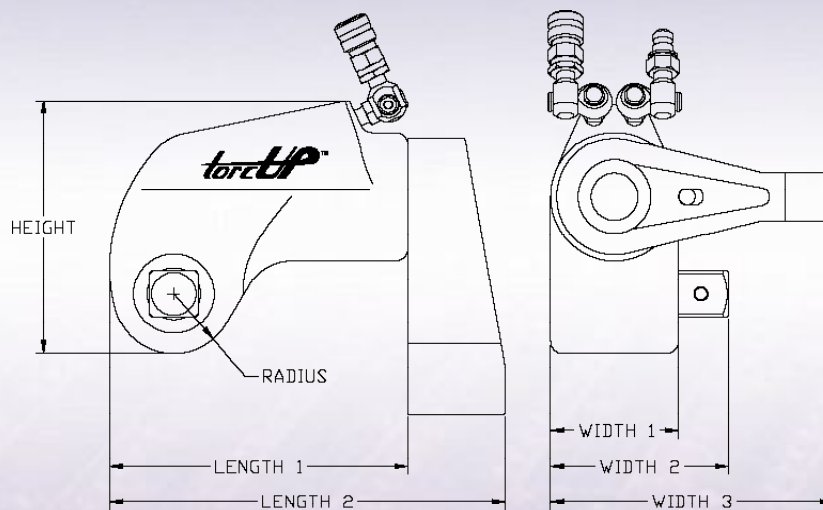


TU-60...The Giant In Power Generation

Square Drive Specifications – The Most Universal Tool Of It's Kind!

Technical

Model Number	TU-2	TU-3	TU-7	TU-11	TU-27	TU-60
Square Drive	3/4"	1"	1-1/2"	1-1/2"	2-1/2"	2-1/2"
Min. Torque (Ft/Lbs)	127	330	740	1100	2720	5,800
Max. Torque (Ft/Lbs)	1,270	3,330	7,400	11,010	27,200	58,000
Output Accuracy	+/-3%	+/-3%	+/-3%	+/-3%	+/-3%	+/-3%
Repeatability	100%	100%	100%	100%	100%	100%
Duty Cycle	100%	100%	100%	100%	100%	100%
Tool Weight (Lbs)	3.90	9.00	19.00	29.00	70.00	130.00



Dimensions

Model Number	TU-2	TU-3	TU-7	TU-11	TU-27	TU-60
Height	4.20	5.30	6.99	7.79	10.19	11.50
Length 1	4.68	6.10	8.00	9.21	12.29	15.38
Length 2	6.20	8.10	10.74	12.21	16.29	20.40
Radius	0.98	1.30	1.70	1.95	2.43	2.90
Width 1	2.00	2.62	3.61	3.93	5.26	6.58
Width 2	2.79	3.68	5.06	5.43	7.73	8.89
Width 3	4.42	5.81	7.98	8.72	11.63	14.29

Note:

All Tool Weights Include Couplers, Swivels, Reaction Arm and Internal Oil.
 The Patented Mono-Body Housing is Standard On All Models.
 All Dimensions Are In Inches.

Our Field Proven Technology Will Make This The Most Sought After Tool By Every One In Your Crew.

TX Low Profile - The Solution



Clearance Above The Nut – No Problem For A TX!
Clearance Behind The Nut – No Problem For A TX!
Clearance Between The Nut – No Problem For A TX!

The *torcup* Patented Peanut Shape Piston Design assures that your application will have the correct torque applied every time.

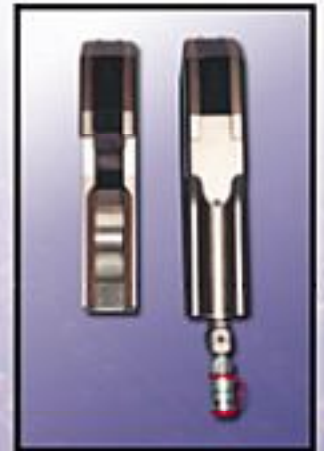
Tensioners – Too Big To Fit!
 Multipliers – Too Big To Fit!
 Nut Runners – Too Big To Fit!
 Impact Wrenches – Too Big To Fit!
 Other Hydraulic Wrenches – Too Big To Fit!



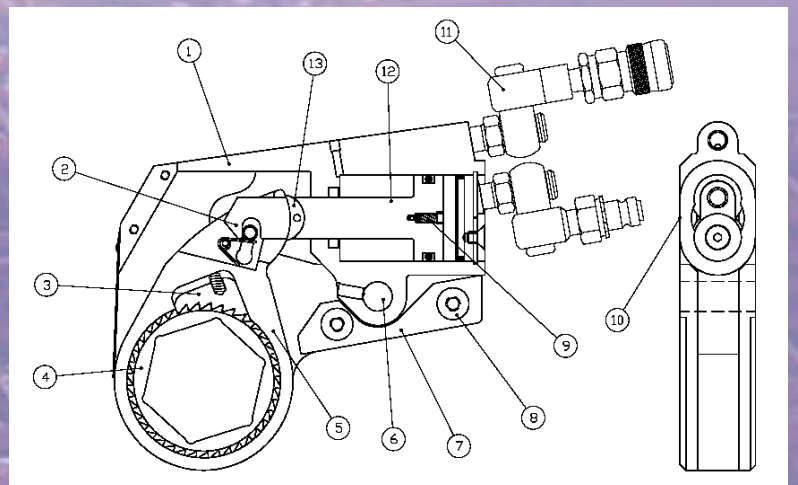
TX-16 Guarantees Accuracy For The Golden Gate Bridge

Final Answer: “*torcup*” Fits Where Others Can Not!”

1. **Patented “Peanut Shaped Cylinder”** – Fit Both The Cylinder And Link In Confined Areas
2. **Engagement Rod** – Automatically Engages Link On The First Stroke
3. **Never-Lock Drive Pawl** – Ensures Tool Will NEVER Lock On
4. **Multi-Tooth Ratchet** – Allows For 27 Degree Torque Stroke Accuracy
5. **One Piece Drive Plate** – Robust Alloy Provides For Small Nose Radius
6. **Link Pin** – One Pin For Link To Cylinder Engagement. No Tools Required
7. **In-Line Reaction Pad** – Assures Torsion Free Reaction Every Time
8. **Steel Alignment Pin** – Assures Equal Load Displacement Between Side Plates
9. **Pressure Relief Valve** – Relieves high pressure if retract coupler is unhooked
10. **Completely Flat Design** – Cylinder And Link Width Are Equal for Tight Fits
11. **360 X 360 Swivel** – Allows Hose To Be Cleared On All Applications
12. **“Peanut Shaped Piston”** – Patented Technology Provides Years Of Maintenance Free Use
13. **Slider** – Prevents Wear Of Piston Or Drive Plate. Reduces Costly Repairs



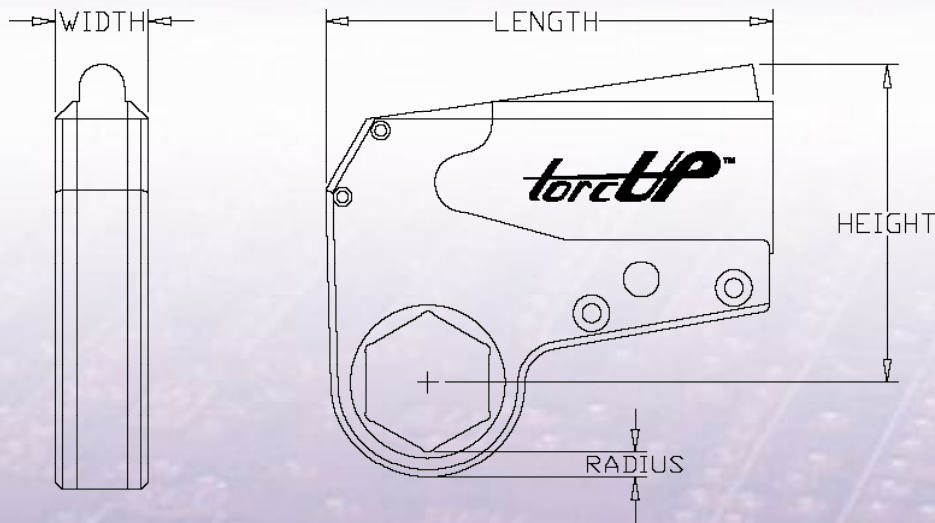
**TX Cylinder and Link are the Same Width...
A Torcup Exclusive**



Low Profile Specifications – The Flattest Tool Of It's Kind!

Technical

Model Number	<u>TX-2</u>	<u>TX-4</u>	<u>TX-8</u>	<u>TX-16</u>	<u>TX-32</u>	<u>TX-45*</u>
Tool Hex from	3/4"/19mm	1"/25mm	1-7/8"/50mm	2-5/8"/65mm	3-1/8"/80mm	3-1/8"/80mm
to	2-3/8"/60mm	3-1/8"/80mm	4"/105mm	4-5/8"/115mm	6-1/8"/155mm	6-1/8"/155mm
Min. Torque (Ft/Lbs)	192	395	830	1,560	3,220	4,850
Max. Torque (Ft/Lbs)	1,928	3,950	8,630	16,600	35,650	47,380
Output Accuracy	+/-3%	+/-3%	+/-3%	+/-3%	+/-3%	+/-3%
Repeatability	100%	100%	100%	100%	100%	100%
Duty Cycle	100%	100%	100%	100%	100%	100%
Corrosion Protection	----- Standard -----					
Cylinder Weight (Lbs)	3.50	6.00	11.70	16.00	26.00	29.00
Link Weight (Lbs) from	2.40	5.40	11.90	21.00	29.00	29.00
to	3.50	7.60	14.50	28.00	39.50	39.50



Dimensions

Model Number	<u>TX-2</u>	<u>TX-4</u>	<u>TX-8</u>	<u>TX-16</u>	<u>TX-32</u>	<u>TX-45*</u>
Length	5.67	7.80	9.80	12.93	15.30	17.17
Height	4.00	5.60	7.00	7.58	10.90	11.03
Width	1.25	1.63	2.05	2.50	3.24	4.88
Radius	0.36	0.46	0.54	0.65	0.93	0.93

Note:

All Tool Weights Include Couplers, Swivels and Internal Oil.
 The Patented Peanut Shaped Cylinder Bore is Standard On TX-2, TX-4 and TX-8 Models.
 All Dimensions Are In Inches.

* Links For TX-32 Interchange With TX-45 Drive Cylinder

***Ergonomic, Fast, Safe, Reliable...
 Put A TorcUP In Your Tool Room Today!***

Low Profile Hex Link Part Numbers

TX-2 Link	Hex	TX-4 Link	Hex	TX-8 Link	Hex	TX-16 Link	Hex	TX-32Link	Hex
Number	Size	Number	Size	Number	Size	Number	Size	Number	Size
TX-2RL012	3/4"	TX-4RL100	1"	TX-8RL114	1-7/8"	TX-16RL210	2-5/8"	TX-32RL302	3-1/8"
TX-2RL013	13/16"	TX-4RL101	1-1/16"	TX-8RL115	1-15/16"	TX-16RL211	2-11/16"	TX-32RL303	3-3/16"
TX-2RL014	7/8"	TX-4RL102	1-1/8"	TX-8RL200	2"	TX-16RL212	2-3/4"	TX-32RL304	3-1/4"
TX-2RL015	15/16"	TX-4RL103	1-3/16"	TX-8RL201	2-1/16"	TX-16RL213	2-13/16"	TX-32RL305	3-5/16"
TX-2RL100	1"	TX-4RL104	1-1/4"	TX-8RL202	2-1/8"	TX-16RL214	2-7/8"	TX-32RL306	3-3/8"
TX-2RL101	1-1/16"	TX-4RL105	1-5/16"	TX-8RL203	2-3/16"	TX-16RL215	2-15/16"	TX-32RL307	3-7/16"
TX-2RL102	1-1/8"	TX-4RL106	1-3/8"	TX-8RL204	2-1/4"	TX-16RL300	3"	TX-32RL308	3-1/2"
TX-2RL103	1-3/16"	TX-4RL107	1-7/16"	TX-8RL205	2-5/16"	TX-16RL301	3-1/16"	TX-32RL309	3-9/16"
TX-2RL104	1-1/4"	TX-4RL108	1-1/2"	TX-8RL206	2-3/8"	TX-16RL302	3-1/8"	TX-32RL310	3-5/8"
TX-2RL105	1-5/16"	TX-4RL109	1-9/16"	TX-8RL207	2-7/16"	TX-16RL303	3-3/16"	TX-32RL311	3-11/16"
TX-2RL106	1-3/8"	TX-4RL110	1-5/8"	TX-8RL208	2-1/2"	TX-16RL304	3-1/4"	TX-32RL312	3-3/4"
TX-2RL107	1-7/16"	TX-4RL111	1-11/16"	TX-8RL209	2-9/16"	TX-16RL305	3-5/16"	TX-32RL313	3-13/16"
TX-2RL108	1-1/2"	TX-4RL112	1-3/4"	TX-8RL210	2-5/8"	TX-16RL306	3-3/8"	TX-32RL314	3-7/8"
TX-2RL109	1-9/16"	TX-4RL113	1-13/16"	TX-8RL211	2-11/16"	TX-16RL307	3-7/16"	TX-32RL315	3-15/16"
TX-2RL110	1-5/8"	TX-4RL114	1-7/8"	TX-8RL212	2-3/4"	TX-16RL308	3-1/2"	TX-32RL400	4"
TX-2RL111	1-11/16"	TX-4RL115	1-15/16"	TX-8RL213	2-13/16"	TX-16RL309	3-9/16"	TX-32RL401	4-1/16"
TX-2RL112	1-3/4"	TX-4RL200	2"	TX-8RL214	2-7/8"	TX-16RL310	3-5/8"	TX-32RL402	4-1/8"
TX-2RL113	1-13/16"	TX-4RL201	2-1/16"	TX-8RL215	2-15/16"	TX-16RL311	3-11/16"	TX-32RL403	4-3/16"
TX-2RL114	1-7/8"	TX-4RL202	2-1/8"	TX-8RL300	3"	TX-16RL312	3-3/4"	TX-32RL404	4-1/4"
TX-2RL115	1-15/16"	TX-4RL203	2-3/16"	TX-8RL301	3-1/16"	TX-16RL313	3-13/16"	TX-32RL405	4-5/16"
TX-2RL200	2"	TX-4RL204	2-1/4"	TX-8RL302	3-1/8"	TX-16RL314	3-7/8"	TX-32RL406	4-3/8"
TX-2RL201	2-1/16"	TX-4RL205	2-5/16"	TX-8RL303	3-3/16"	TX-16RL315	3-15/16"	TX-32RL407	4-7/16"
TX-2RL202	2-1/8"	TX-4RL206	2-3/8"	TX-8RL304	3-1/4"	TX-16RL400	4"	TX-32RL408	4-1/2"
TX-2RL203	2-3/16"	TX-4RL207	2-7/16"	TX-8RL305	3-5/16"	TX-16RL401	4-1/16"	TX-32RL409	4-9/16"
TX-2RL204	2-1/4"	TX-4RL208	2-1/2"	TX-8RL306	3-3/8"	TX-16RL402	4-1/8"	TX-32RL410	4-5/8"
TX-2RL205	2-5/16"	TX-4RL209	2-9/16"	TX-8RL307	3-7/16"	TX-16RL403	4-3/16"	TX-32RL411	4-11/16"
TX-2RL206	2-3/8"	TX-4RL210	2-5/8"	TX-8RL308	3-1/2"	TX-16RL404	4-1/4"	TX-32RL412	4-3/4"
		TX-4RL211	2-11/16"			TX-16RL405	4-5/16"	TX-32RL413	4-13/16"
		TX-4RL212	2-3/4"			TX-16RL406	4-3/8"	TX-32RL414	4-7/8"
		TX-4RL213	2-13/16"			TX-16RL407	4-7/16"	TX-32RL415	4-15/16"
		TX-4RL214	2-7/8"			TX-16RL408	4-1/2"	TX-32RL500	5"
		TX-4RL215	2-15/16"			TX-16RL409	4-9/16"	TX-32RL501	5-1/16"
		TX-4RL300	3"			TX-16RL410	4-5/8"	TX-32RL502	5-1/8"
		TX-4RL301	3-1/16"					TX-32RL503	5-3/16"
		TX-4RL302	3-1/8"					TX-32RL504	5-1/4"
								TX-32RL505	5-5/16"
								TX-32RL506	5-3/8"
								TX-32RL507	5-7/16"
								TX-32RL508	5-1/2"
								TX-32RL509	5-9/16"
								TX-32RL510	5-5/8"
								TX-32RL511	5-11/16"
								TX-32RL512	5-3/4"
								TX-32RL513	5-13/16"
								TX-32RL514	5-7/8"
								TX-32RL515	5-15/16"
								TX-32RL600	6"
								TX-32RL601	6-1/16"
								TX-32RL602	6-1/8"

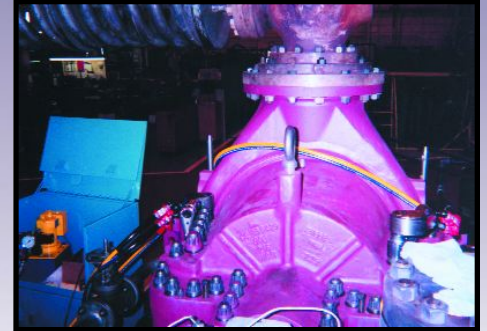


Change Sizes By Removing Single Link Pin

QUADRA-TORC™

FAST-ACCURATE-EVEN BOLT LOAD

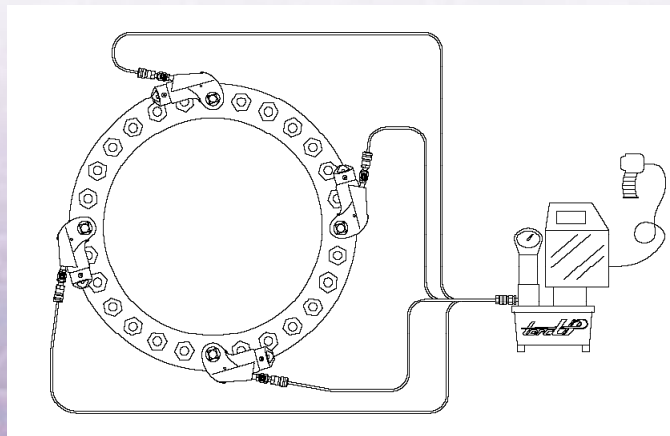
With the *torcUP* Quadra-Torc System an even load is distributed across any flange, casing or multi fastener application in the fastest torque mode available. *torcUP* Quadra-Torc System will eliminate the need for timely and costly Tensioners.



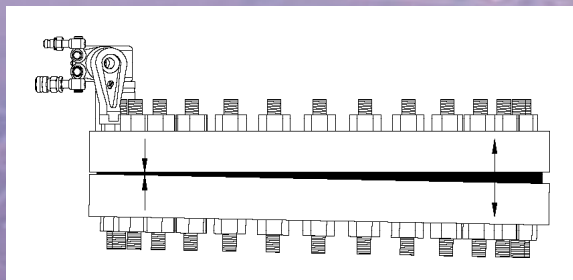
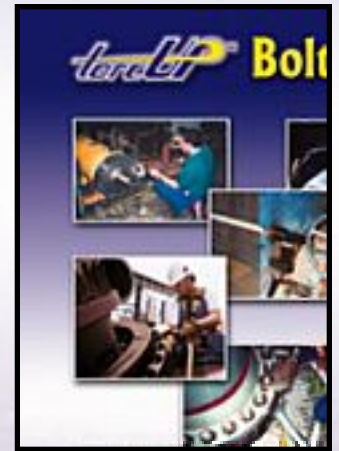
Parallel Closure: To have equal or comparable load applied to all bolts on the application at the same time.

THE QUADRA-TORC SYSTEM

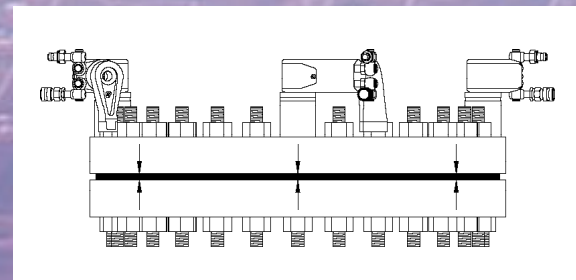
The primary focus of the Quadra-Torc System is to eliminate the common "Criss-Cross" bolt tightening pattern that causes constant crush or over torque of gaskets. With the Quadra-Torc System Multi *torcUP* Torque Units are utilized along with our Quadra-Torc Hydraulic Pumps. Once the *torcUP* wrenches are in place a single operator can apply even load at the push of a button. The Quadra-Torc System will evenly close the gap and apply equal torque to +/-3% Accuracy!



Quadra-Torc Four Tool System



Uneven Load Using One Tool



Even and Precise Load with Quadra-Torc

Get Into Speed Torque Mode With Quadra-Torc!

QUADRA-TORC™ POWER PACKS



Model EP1000
(Shown with Mono-Port)



Model AP1000
(Shown with Mono-Port)



Model EP500
(Shown with Mono-Port)

QUADRA-TORC PUMP ACCESSORIES



Hoses Available in All Lengths
(15' Hose Standard with All Pumps)

**No-Drip
Quick-Connect Couplers**
(Standard on All TorcUP Equipment)



Threaded Couplers

**Flat-Faced
Quick-Connect Couplers**



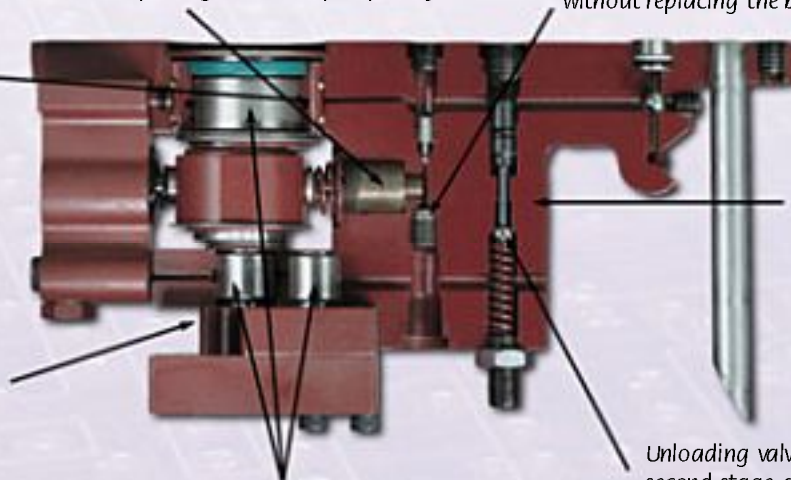
Clydesdale Technology Is At The Heart Of All *torcUP* Pumps!

Only TorcUP Clydesdale pumps incorporate an oiler system that sprays the upper unit with oil and keeps critical components lubricated and running cool, especially when most of the reservoir oil is being used at the tool.

High efficiency gear pump provides more first stage flow and higher crossover pressures. Field proven gear pumps run cooler and last longer and are proven to provide years of trouble-free service.

Sleeved piston bores allow easy replacement of precision components without replacing the entire pump body.

High pressure ball seats are designed as replaceable cartridges rather than machined into the body. Worn or damaged seats can be easily replaced without replacing the body.



Four full size, full complement bearings add life and efficiency while contributing to cool and quiet running.

Solid, one piece pump body with internal flow paths eliminates potential leak points caused by threaded fittings, high pressure tubing and bolt together pump bodies.

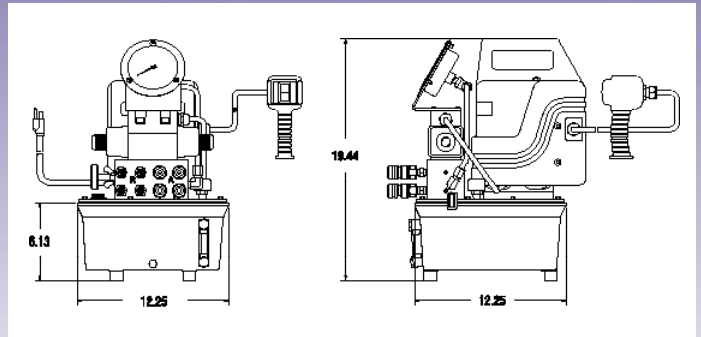
Unloading valve passes full power to the second stage at crossover. No power is lost holding relief valves open and less heat is generated.

QUADRA-TORC™ POWER PACKS

EP1000

High Flow – High Speed for Heavy Duty Application

- Quadra-Torc Multi-Port Manifold (Max. 4 Ports)
- Cool running continuous duty Clydesdale pump
- Powerful 1.5HP permanent magnet motor
- 115V and 230V available
- Starts under full load
- Runs on reduced voltage
- Quiet operation (approx. 80 dBA @ 10,000 PSI)
- Rugged remote pendant to control motor and valve
- Easily adjustable pressure control knob
- Auto-Dump relieves all pressure from hoses
- Completely enclosed motor housing and electronics
- 2 Gallon oil reservoir
- Precise PSI/BAR pressure gauge
- Quick-Connect No-Drip Couplers with Safety Locking Collar
- Supplied with dual non-conductive high pressure hose with couplers



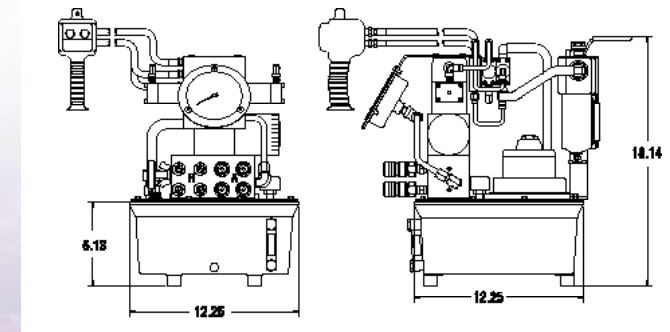
Resvr. Size (Gal.)	Valve		Motor Spec. (Permanent Magnet)	Flow Rate @115 VAC		Weight (lbs)
	Control	Type		600	10,000	
2	Solenoid	4 Way/3 Pos.	1.5 HP Single Phase	700	50	56

Retract pressure is preset at 1,300 PSI.

AP1000

High Flow – High Speed for Heavy Duty Application

- Quadra-Torc Multi-Port Manifold (Max. 4 Ports)
- Cool running continuous duty Clydesdale pump
- Powerful 1.5HP industrial duty air motor
- Runs on 50 cfm / 80 PSI of air
- Quiet operation (approx. 80 dBA @ 10,000 PSI)
- Rugged remote pendant to control motor and valve
- Easily adjustable pressure control knob
- Auto-Dump relieves all pressure from hoses
- Filter-Lubricator for long trouble free operation
- 2 Gallon oil reservoir
- Precise PSI/BAR pressure gauge
- Quick-Connect No-Drip Couplers with Safety Locking Collar
- Supplied with dual non-conductive high pressure hose with couplers



Resvr. Size (Gal.)	Valve		Motor Specifications	Flow Rate@ 50 cfm/90psi		Weight (lbs)
	Control	Type		600	10,000	
2	Solenoid	4 Way/3 Pos.	1.5 HP Rotary Air	600	50	54

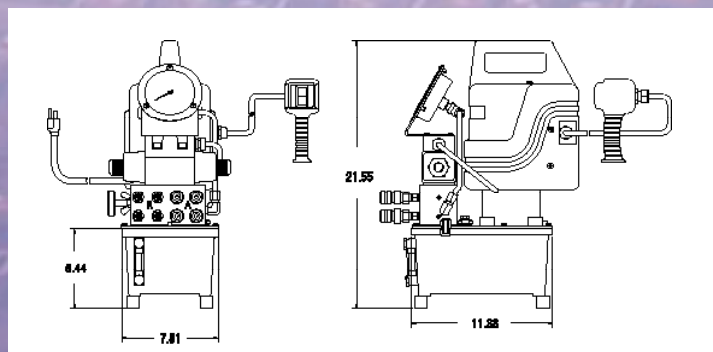
Retract pressure is preset at 1,300 PSI.

Standard Roll Bar Dimensions: 25-7/16" L x 20-1/2" H x 166-3/4" W

EP500

Medium Flow – Medium Speed for Light Duty Application

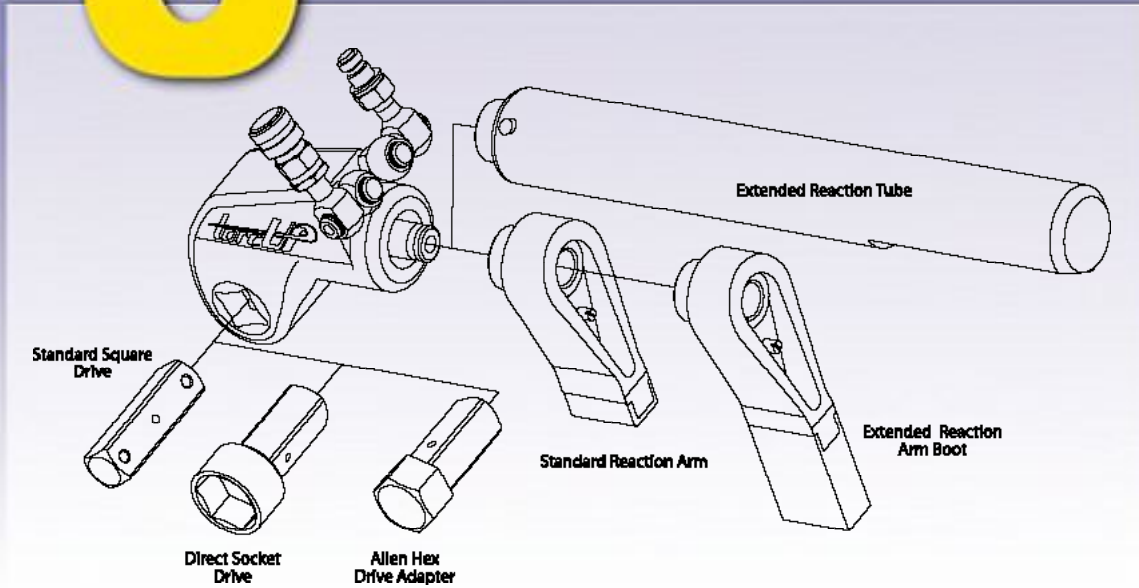
- Quadra-Torc Multi-Port Manifold (Max. 4 Ports)
- Cool running continuous duty Clydesdale pump
- Powerful .5HP permanent magnet motor
- 115V and 230V available
- Starts under full load
- Runs on reduced voltage
- Quiet operation (approx. 80 dBA @ 10,000 PSI)
- Rugged remote pendant to control motor and valve
- Easily adjustable pressure control knob
- Auto-Dump relieves all pressure from hoses
- Completely enclosed motor housing and electronics
- 2 Gallon oil reservoir
- Precise PSI/BAR pressure gauge
- Quick-Connect No-Drip Couplers with Safety Locking Collar
- Supplied with dual non-conductive high pressure hose with couplers



Resvr. Size (Gal.)	Valve		Motor Spec. (Permanent Magnet)	Flow Rate @115 VAC		Weight (lbs)
	Control	Type		600	10,000	
1	Solenoid	4 Way/3 Pos.	0.5 HP Single Phase	400	20	45

Retract pressure is preset at 1,300 PSI.

TU Accessories



TorUP produces application specific accessories to fit on your job! Call TorUP today for help with your application specifications!



TU-3 With Extended Reaction Boot



TU-3 Gets The Job Done With Direct Hex Driver



Request Your Full Line TorUP Socket Catalog

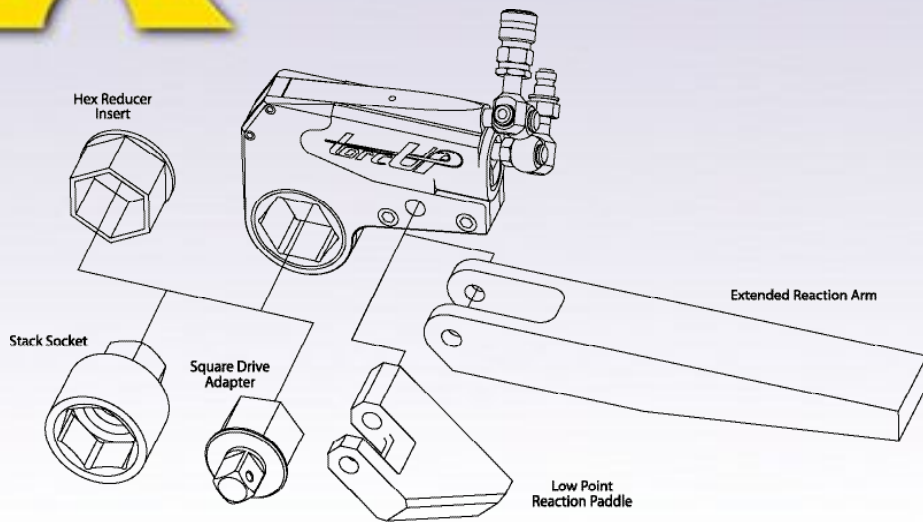


Standard Hex Drivers Available From Stock



Extended Reaction Tubes In Stock

TX Accessories



When clearance is an issue...TX is the answer!
TX Accessories allow you to convert your Low Profile System into a Multi-Application System Simply By Inserting Hex Accessories.



Convert Your TX With Standard Arm and Hex to Square Adapters



TX-4 With Hex Reducer Working Corroded Fasteners Off-Shore



Low Point Reaction Paddle for TX Series



Custom Spanner Wrench Available For All Sizes



Turn Your TX Into A Multi-Application Tool

TX Series....Application Driven...Solution Specific!



Bolting Tool Technology



**Call 1-888-TORCUP-1
for a No-Charge, On-Site Application Demonstration!
www.torcup.com**

Torque UP with *torcup*

1500 Uhler Road
Easton, PA 18040 USA
Tel: (610) 250-5800
Fax: (610) 250-2700
www.torcup.com

Local Sales, Service and Rental