



A BUYERS GUIDE TO

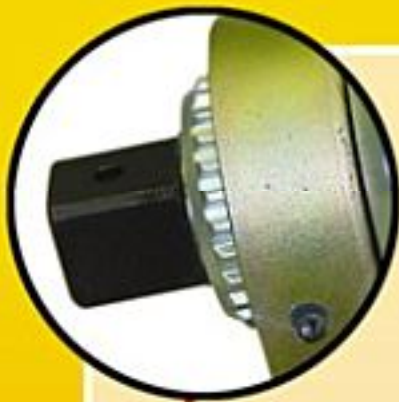
PNEUMATIC TORQUE WRENCHES



torcup™

Spring 2003
www.torcup.com





SQUARELOC
Direct Socket Engagement

AIRLOC
Constant Speed Rotation

GEARLOC
Robust Air Gear Drive



FRELOC
Finger Controlled
Forward/Reverse



TORCLOC
Positive Force Reaction Member

GRIPLOC
Firm Pistol Grip Control

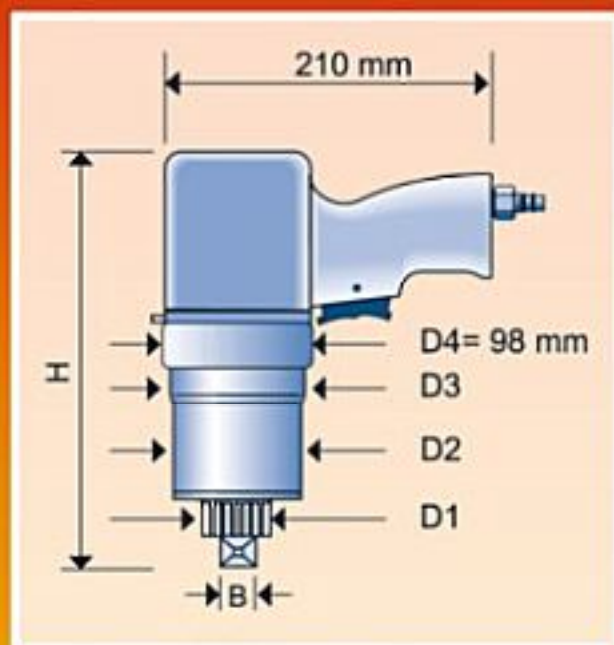
It's A Wrench. It's An Instrument.
Designed With A Purpose - Applied For A Reason!

TT Pneumatic Torque Wrenches

We Work Where You Work.

Our tool designers know this well. While other wrench manufacturers try to better their past, to see what they can improve upon, at TorcUP we focussed strictly on the future. And the result? A constant rotation speed wrench built for the most industrial of applications.

Go ahead, pull the trigger and feel how power goes through the pistol grip to the fastener with ZERO impact or vibration. If you want accuracy, it's calibrated, measured and traceable to +/-5%.



Model Number	TT-30	TT-80	TT-120	TT-200	TT-320
Square Drive	3/4"	1"	1"	1"	1 1/2"
Min. Torque (Ft/Lbs)	122	269	435	671	1,099
Max. Torque (Ft/Lbs)	357	796	1,276	1,969	3,231
Min. Torque (Nm)	165	365	590	910	1,490
Max. Torque (Nm)	485	1,080	1,730	2,670	4,380
Diameter D1	1.61"	2.13"	2.13"	2.13"	2.84"
Diameter D2	3.35"	3.35"	3.35"	3.35"	3.86"
Diameter D3	3.47"	3.47"	3.47"	3.47"	3.86"
Height	11.02"	11.81"	11.81"	11.81"	11.81"
Weight (Lbs)	15.43	19.84	19.84	19.84	26.46
Performance (rpm)	48	15	10	8	4

More Than 30 Years Of Innovation In The Palm Of Your Hand

torcUP[™]



F/R/L Carrying Unit

*For Accurate Adjustment, Air Filtration
and Tool Lubrication*



TT Accessories

*Standard and Custom Accessories
To Suit All Applications*

TorcuP[™]

*Worldwide Supply - Worldwide Support - Worldwide Innovation
For Worldwide Sales and Service Call TorcuP at 888-TORCUP-1*

1500 Uhler Road • Easton, PA • 18040 Ph: 610-250-5800 • Fax: 610-250-2700
E-Mail: sales@torcup.com • Web: www.torcup.com