



ENERPAC 
POWERFUL SOLUTIONS. GLOBAL FORCE.



Z-Class advantages
with classic pump
control and display

▼ Shown: ZU4204BB-QH



Your first choice for a pump

- Features **Z-Class** high-efficiency pump design; higher oil flow and bypass pressure, cooler running and requires 18% less current draw than comparable pumps
- Powerful 1.7 hp universal electric motor provides high power-to-weight ratio and excellent low-voltage operating characteristics
- High-strength, molded composite shroud protects motor and electric components, while providing an ergonomic, non-conductive handle for easy transport
- Low-voltage pendant provides additional safety for the operator
- Valve technology reduces oil operating temperatures and withstands contaminants to increase pump reliability



Electrical Information

Basic electrical package includes mechanical contactor, ON/OFF toggle switch, pendant with

electro-mechanical pushbuttons, 24V transformer timer and operator accessible circuit breaker.



ZU4 Pump with LCD

LCD readout provides auto-cycle feature, diagnostic capabilities and a visual display for operators

demanding the most sophisticated portable electric pump.



Accessory Options

Available by placing the following suffix at the model number end:

- H** = Heat Exchanger
- K** = Skid Bar
- M** = 4-Wrench Manifold
- R** = Roll Cage



◀ Any hydraulic torque wrench can be powered by the Enerpac ZU4 Classic Torque Wrench Pump.

Classic Torque Wrench Pumps



Z-Class – A Pump For Every Application

Patented Z-Class pump technology provides high by-pass pressures for increased productivity—important in applications using long hose runs and high pressure-drop circuits, like heavy lifting or certain double-acting tools.

Enerpac ZU4 Hydraulic Pumps are built to power small to large torque wrenches. Choosing the right ZU4 torque wrench pump for your application is easy.

Premium Electric Torque Wrench Pump

- Digital (LCD) display features a built-in hour meter, pressure display and shows self-diagnostic, cycle-count and low voltage warning information. These premium features are not available on any other pump—anywhere!
- Auto cycle feature provides continuous cycle operation of the torque wrench as long as the advance button is pressed. (Pump can be used with or without auto cycle feature).

Classic Electric Torque Wrench Pump

- The Classic has traditional electro-mechanical components (transformers, relays and switches) in place of solid-state electronics. The Classic delivers durable, safe and efficient hydraulic power.

ZU Series

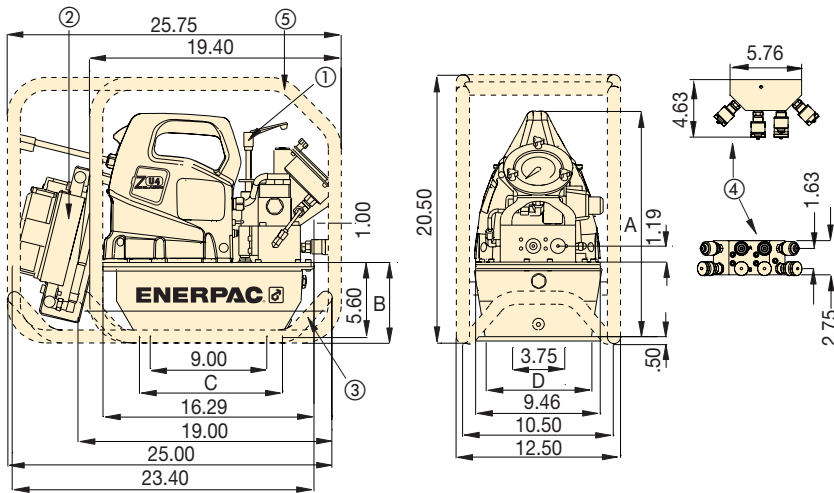


Reservoir Capacity:
1.0-2.0 gal.

Flow at Rated Pressure:
60 in³/min.

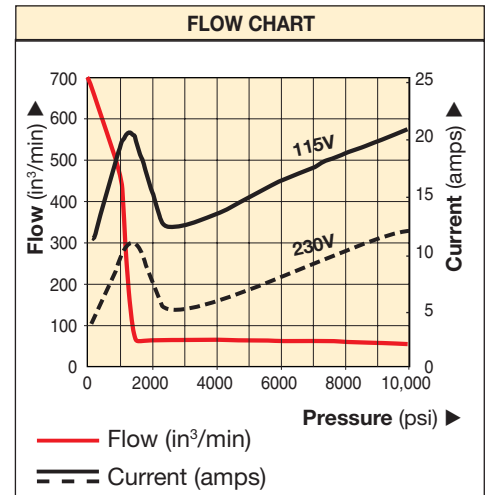
Motor Size:
1.7 hp

Maximum Operating Pressure:
10,000 psi



Reservoir Size (useable liters)	A (in)	B (in)	C (in)	D (in)
1	17.0	5.6	11.0	6.0
2	19.5	8.0	11.3	6.6

- Dimensions shown in inches
- ① User adjustable relief valve
 - ② Heat Exchanger (optional)
 - ③ Skidbar (optional)
 - ④ 4-wrench manifold (optional)
 - ⑤ Roll cage (optional)



COMMON PUMP MODELS

Valve Type	Model Number ¹⁾	Usable Oil Capacity (gal)	Relief Valve Adjustment Range (psi)	Motor Electrical Specification (volts-ph-Hz)	Motor Size (hp)	Sound Level (dBA)	Weight (lbs)
Torque Wrench	ZU4204BB-QH	1.0	1,000-10,000	115-1-50/60	1.7	85-90	82.3
	ZU4204BB-Q	1.0		115-1-50/60			79.4
	ZU4208BE-QH ²⁾	1.75		230-1-50/60			82.8
	ZU4204BE-Q ²⁾	1.0		230-1-50/60			79.9
	ZU4208BI-QH	1.75		230-1-50/60			82.3
	ZU4208BI-Q	1.75		230-1-50/60			79.4

¹⁾ All models meet CE safety requirements and all CSA requirements.

²⁾ European plug and CE EMC directive compliant.

ZU4 Classic Torque Wrench Pumps



ENERPAC

The Industrial Tools Line

Cylinders

- General Purpose
- Pancake
- Aluminum Lightweight
- Low Height
- Heavy Duty
- Hollow Plunger
- Industrial
- Pull
- Long Stroke
- Jacks
- Spread

Pumps

- Manual
- Electric Driven
- Compressed Air Driven
- Petrol Driven

System Components

- Hoses, Couplers, Oil
- Gauges, Adaptors
- Manifolds, Fittings

Valves

- 3-and 4-Way Directional
- Pressure and Flow Control

Presses

- Bench and Workshop
- Roll Frame Presses
- Arbor and C-Clamps

Pullers

- Master Pullers Sets
- Multi Purpose Puller Sets
- Posi Lock® Pullers

Tools

- Maintenance Sets
- Punches
- Machine Lifts
- Load Skates
- Cutters
- Pipe Benders

Bolting Tools

- Nut Splitters
- Flange/Wedge Spreaders
- Flange Alignment Tools
- Torque Wrenches
- Hydraulic Wrench Pumps
- Twin Safety Hoses

Integrated Hydraulic Solutions

- Stage Lift Systems
- Synchronous Lifting Systems
- Synchronous Hoisting Systems

Enerpac Worldwide Locations

Africa

ENERPAC Middle East FZE
Office 423, JAFZA 15
P.O. Box 18004
Jebel Ali, Dubai
United Arab Emirates
Tel:+971 (0)4 8872686
Fax:+971 (0)4 8872687

Australia, New Zealand

Actuant Australia Ltd.
Block V Unit 3
Regents Park Estate
391 Park Road
Regents Park NSW 2143
(P.O. Box 261)
Australia
Tel:+61 297 438 988
Fax:+61 297 438 648

Brazil

Power Packer do Brasil Ltda.
Rua dos Inocentes, 587
04764-050 - Sao Paulo (SP)
Tel:+55 11 5687 2211
Fax:+55 11 5686 5583
Toll Free in Brazil:
Tel:0800 891 5770
vendabrasil@enerpac.com

Canada

Actuant Canada Corporation
6615 Ordan Drive, Unit 14-15
Mississauga, Ontario L5T 1X2
Tel:+1 905 564 5749
Fax:+1 905 564 0305
Toll Free:
Tel: +1 800 268 4987
Fax:+1 800 461 2456
Technical Inquiries:
techservices@enerpac.com

China

Actuant China Ltd.
1F, 269 Fute N. Road
Waigaoqiao Free Trade Zone
Pudong New District
Shanghai, 200 131 China
Tel:+86 21 5866 9099
Fax:+86 21 5866 7156

Actuant China Ltd. (Beijing)
709B Diyang Building
Xin No. 2
Dong San Huan North Rd.
Beijing City
100028 China
Tel: +86 10 845 36166
Fax:+86 10 845 36220

Central and Eastern Europe, Greece

ENERPAC GmbH
P.O. Box 300113
D-40401 Düsseldorf
Willstätterstrasse13
D-40549 Düsseldorf
Germany
Tel:+49 211 471 490
Fax:+49 211 471 49 28

France, Switzerland francophone

ENERPAC
Une division de ACTUANT
France S.A.
ZA de Courtaboeuf
32, avenue de la Baltique
91140 VILLEBON /YVETTE

France

Tel:+33 1 60 13 68 68
Fax:+33 1 69 20 37 50

Germany, Austria and Switzerland

ENERPAC GmbH
P.O. Box 300113
D-40401 Düsseldorf
Willstätterstrasse13
D-40549 Düsseldorf
Germany
Tel:+49 211 471 490
Fax:+49 211 471 49 28

India

ENERPAC Hydraulics
(India) Pvt. Ltd.
Office No. 9,10 & 11,
Plot No. 56, Monarch Plaza,
Sector 11, C.B.D. Belapur
Navi Mumbai 400614, India
Tel:+91 22 2756 6090
Tel:+91 22 2756 6091
Fax:+91 22 2756 6095

Italy

ENERPAC S.p.A.
Via Canova 4
20094 Corsico (Milano)
Tel:+39 02 4861 111
Fax:+39 02 4860 1288

Japan

Applied Power Japan LTD KK
Besshouchou 85-7
Saitama-shi, Kita-ku,
Saitama 331-0821
Japan
Tel:+81 48 662 4911
Fax:+81 48 662 4955

Middle East, Turkey and Caspian Sea

ENERPAC Middle East FZE
Office 423, JAFZA 15
P.O. Box 18004,
Jebel Ali, Dubai
United Arab Emirates
Tel:+971 (0)4 8872686
Fax:+971 (0)4 8872687

Russia and CIS

(excl. Caspian Sea Countries)
Actuant LLC
Admiral Makarov Street 8
125212 Moscow
Russia
Tel:+7-495-9809091
Fax:+7-495-9809092

Singapore

Actuant Asia Pte. Ltd.
37C, Benoi Road Pioneer Lot,
Singapore 627795
Tel:+65 64 84 5108
+65 64 84 3737
Fax:+65 64 84 5669
Toll Free:
Tel: +1800 363 7722
Technical Inquiries:
techsupport@enerpac.com.sg

South Korea

Actuant Korea Ltd.
3Ba 717,
Shihwa Industrial Complex
Jungwang-Dong, Shihung-Shi,
Kyunggi-Do
Republic of Korea 429-450
Tel:+82 31 434 4506
Fax:+82 31 434 4507

Spain and Portugal

ENERPAC
C/San José Artesano 8
Pol. Ind.
28108 Alcobendas
(Madrid) Spain
Tel:+34 91 661 11 25
Fax:+34 91 661 47 89

The Netherlands, Belgium, Luxembourg, Sweden, Denmark, Norway, Finland and Baltic States

ENERPAC B.V.
Galvanistraat 115, 6716 AE Ede
P.O. Box 8097, 6710 AB Ede
The Netherlands
Tel:+31 318 535 911
Fax:+31 318 525 613
+31 318 535 848
Technical Inquiries Europe:
techsupport.europe@enerpac.com

United Kingdom and Ireland

ENERPAC Ltd.,
Bentley Road South
Darlaston, West Midlands
WS10 8LQ, England
Tel:+44 (0)121 50 50 787
Fax:+44 (0)121 50 50 799

USA, Latin America and Caribbean

ENERPAC
P.O. Box 3241
6100 N. Baker Road
Milwaukee, WI 53209 USA
Tel:+1 262 781 6600
Fax:+1 262 783 9562
User inquiries:
+1 800 433 2766
Distributor inquiries/orders:
+1 800 558 0530
Technical Inquiries:
techservices@enerpac.com

Your Enerpac Distributor:

e-mail: info@enerpac.com
Internet: www.enerpac.com