

Quick Set-Up Design — A Tough, Compact Trolley

VT Push Type Trolley

The Coffing VT is a versatile, push-type, industrial grade, hook mount trolley. Incorporating universal wheel tread design, the VT is ideal for use on a variety of American Standard Beams, wide flange beams, and patented track applications.

- **Capacities** - Rated loads from 1/4 to 3 tons.
- **Unique Side Frame / Load Bar Design** - "Dial Fit" adjusting collar reduces installation time from 40 minutes to less than 4 minutes.
- **Shielded Double Row Ball Bearings** - Smooth rolling for longer life and greater efficiency.
- **Hardened Wheels** - Fully hardened steel track wheels with angled wheel axis, specially designed to increase wheel and beam life.
- **Stamped Steel Side Plates** - Formed and welded into a tubular housing for less weight with no sacrifice in strength.
- **Negotiates Small Radius Curves** - 7 inches on 1 ton capacity.
- **Lifetime Lubricated**
- **Larger V-Bars Available** - For wider flange adjustments.
- **Options** - Trolley guards (safety lugs) available except on 3 ton.
- **Lifetime Warranty**



1/4 - 3 Ton
Made In USA

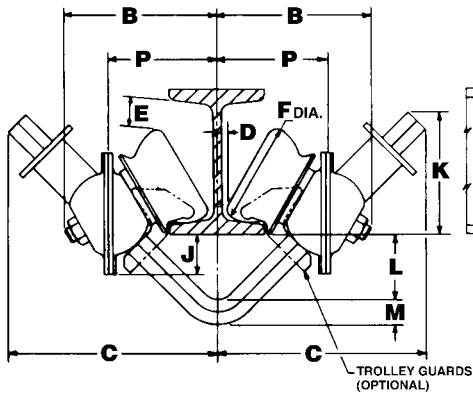
SPECIFICATIONS

VT Push Type Trolley

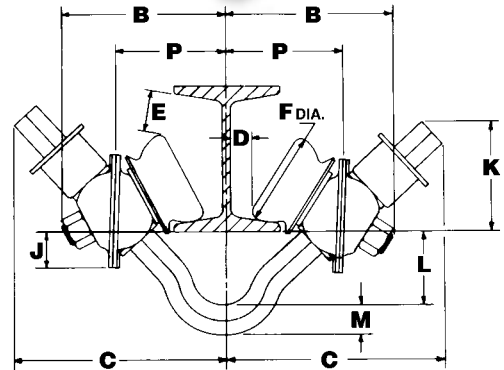
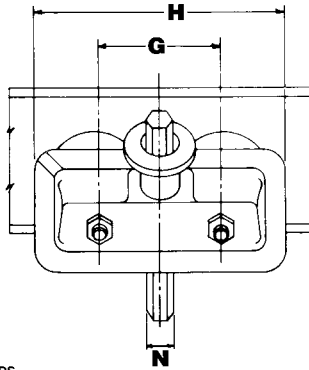
Capacity		Model Number	Adj. For Standard S-Beams		Tread Diameter (In.)	Net Weight (Lbs.)	Shipping Weight (Lbs.)	Minimum Radius Curve (In.)
Lbs.	Tons		Depth of Beam (in.)	Flange Width (In.)				
500	1/4	VT-05-A	4 - 12	2 ⁵ / ₈ - 5 ¹ / ₁₆	2 ³ / ₄	9	10	7
1000	1/2	VT-10-A	4 - 12	2 ⁵ / ₈ - 5 ¹ / ₁₆	2 ³ / ₄	9	10	7
2000	1	VT-20-A	4 - 12	2 ⁵ / ₈ - 5 ¹ / ₁₆	2 ³ / ₄	10	12	7
3000	1 1/2	VT-30-A	6 - 15	3 ³ / ₈ - 5 ⁵ / ₈	3 1/2	23	25	10
4000	2	VT-40-A	6 - 15	3 ³ / ₈ - 5 ⁵ / ₈	3 1/2	23	35	10
6000	3	VT-60-A	8 - 18	4 - 6 1/4	3 1/2	29	33	10

All capacities can be supplied for S-beams larger than listed and also for wide flange beams, rails, or tracks with approximately equivalent flange widths.

DIMENSIONS



1/4 - 2 Ton Capacity



3 Ton Capacity

Capacity		Model Number	B*	C*	D*	E*	F	G	H	J*	K*	L*	M	N	P*
Lbs.	Tons														
500	1/4	VT-05-A	4 1/4	5 7/8	3/16	13/16	2 3/4	3 3/8	7	1 1/8	3 3/8	1 13/16	1 1/16	7/8	3
1000	1/2	VT-10-A	4 1/4	5 7/8	3/16	13/16	2 3/4	3 3/8	7	1 1/8	3 3/8	1 13/16	1 1/16	7/8	3
2000	1	VT-20-A	4 3/8	6	3/16	13/16	2 3/4	3 3/8	7	1 1/8	3 1/2	1 5/8	7/8	1	3 1/8
3000	1 1/2	VT-30-A	5 5/8	7 1/2	3/8	2 3/16	3 1/2	4 1/2	9	1 1/2	4 3/8	2	1 1/8	1 1/4	3 7/8
4000	2	VT-40-A	5 5/8	7 1/2	3/8	2 3/16	3 1/2	4 1/2	9	1 1/2	4 3/8	2	1 1/8	1 1/4	3 7/8
6000	3	VT-60-A	6 3/16	8 1/16	1 1/16	4 1/16	3 1/2	4 1/2	9	1 5/8	4 13/16	2 5/8	1 1/8	1 1/4	4 15/16

* Dimensions given are for the minimum S-Beam and will vary with larger beams.
Minimum Radius Curve: 7 In. for 1/4 - 1 Ton; 10 In. for 1 1/2 - 3 ton.

⚠ WARNING

Overloading and Improper Use Can Result In Injury

To Avoid Injury:

- Do not exceed working load limit, load rating, or capacity.
- Do not use to lift people or loads over people.
- Use only alloy chain and attachments for overhead lifting.
- Read and follow all instructions.

High Performance Lifting™

COFFING®

HOISTS

Country Club Road • PO Box 779
 Wadesboro, NC 28170 USA

Phone: (800) 477-5003 (704) 694-2156
FAX: (800) 374-6853 (704) 694-6829

CB-12
 10M 08/98
 Printed in USA
 ©1998 Coffing Hoists