

Cleco[®]



NEW!
vmax[™]
Up To 83% Faster!



LIVewire[™]

Durable Production Performance

Cordless For Safety Critical Joints

COOPER PowerTools

The Most Cost-Effective Safe

Up To 50% Savings Over Traditional Systems!

Mobility is a major advantage with wireless communications. Cleco LiveWire™ marries the freedom and flexibility of cordless tools with real-time wireless error proofing. Utilizing an industry standard 2.4GHz WLAN (Wireless Local Area network) interface in conjunction with the highest security encryption and authentication levels, plus a 512-cycle tool memory buffer, LiveWire™ ensures you will never compromise safety critical data transmissions.

**10 Tools.
1 Line
Controller.**



Security Critical Solution Available.

New! Tethered Productivity!

Cleco LiveWire™ tools are now available with Vmax™, a tethered solution that drives continuous tool power and speed increases up to 83% without losing accuracy or durability. This leading innovation utilizes the same 10 tools to one line controller hardware solution with up to 33% cost savings over traditional systems. New Vmax™ technology auto-senses the applied power source and adjusts the maximum tool speed capability on the fly. LiveWire™ with Vmax™ combines the power you need with the most versatile wireless system available today.



Wireless Security

- WEP (Wired Equivalent Privacy)
 - 64/128 Bit Encryption HEX (RC4)
- WPA (Wireless Protected Access)/WPA2/802.11
 - 128 Bit TKIP/CCMP Encryption
 - 802.1x EAP Authentication
 - LEAP, PEAP, TTLS
 - GTC, MD5, OTP, PAP, CHAP, MSCHAP, MSCHAPv2, TTLS MSCHAPv2

All The Brains. All The Power.

LiveWire™ offers precision torque, angle and speed control features for safety critical fastening in a lightweight, wireless design.

With up to 1,000 tightening operations per battery charge and quick charge cycles, your safety critical applications are assured to never run out of power.

LiveWire™ has been designed and tested to provide wireless connectivity across the harshest of machine-to-machine environments.

Electronic Intelligence

- On-board controller with power management
- Integrated servo with I/O signal handling
- Auto sensing power intelligence
- 512 cycle memory buffer



Low vibration soft grip handle

High Resolution Resolver

- Rotor position detection
- Angle control and monitoring for Quality Assurance
- Full range speed control for operator ergonomics



Operator Status Display

- Configurable real-time 3 line display
- Green/Red/Yellow LCD for status
- 2 configurable application buttons
- Multiple LED status indicators

Low compression trigger

Battery Technology

- 26V, 1.6 Ah Li-Ion rechargeable battery
- High power-to-weight technology
- Up to 1,000 cycles per charge (hard joint)
- >800 charging cycles
- Fully charged in 1 hour



Power. And It's Wireless.

Solid metal construction for maximum durability

Integrated Bar Code Scanner (optional)

- Enables real-time bar code data collection
- Programmable bit for Auto Parameter Select
- Tool enable and disable configurability

Precision Gearing

Configurable LED Illumination

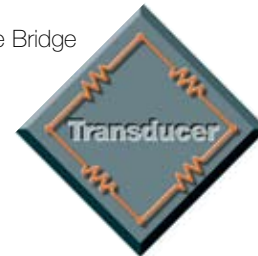
Apex Guard

Reaction Transducer

- Accurate detection of torque via Strain Gage Bridge
- Torque traceability of safety critical joints

Brushless Motor

- Superior performance with full range speed control
- Low rotor inertia for high torque accuracy



Digital Audio Interface

- Operator audible alarm
- Programmable sound duration



Cleco Cordless Tool Specifications

Cordless Freedom or Tethered Speed... The Choice Is Yours.



V-max tether is 59% lighter and 46% smaller diameter than traditional cables.

17B Pistol Series	Torque Range		Free Speed RPM	Weight* Less Battery		Output Drive Size	Length With Battery		Voltage
	Ft.Lbs.	Nm		lbs.	kg		in.	mm	
17BPXSB05Q	2.2-3.7	3-5	1639	2.8	1.29	1/4" Hex	8.44	214.5	26
17BPXSB07Q	2.2-5.2	3-7	1161	2.8	1.29	1/4" Hex	8.44	214.5	26
17BPXSB09Q	2.2-6.6	3-9	887	2.8	1.29	1/4" Hex	8.44	214.5	26
17BPXSB13Q	2.2-9.6	3-13	629	2.8	1.29	1/4" Hex	8.44	214.5	26

47B Angle Series	Torque Range		Free Speed RPM	Weight* Less Battery		Output Drive Size	Length With Battery		Voltage
	Ft.Lbs.	Nm		lbs.	kg		in.	mm	
47BAXSB15AM3	4.1-11.1	5.5-15	538	4.3	1.95	3/8" SQ	21.79	553.5	26
47BAXSB21AM3	5.9-15.5	8-21	411	4.3	1.95	3/8" SQ	21.79	553.5	26
47BAXSB28AM3	7.4-20.7	10-28	291	4.3	1.95	3/8" SQ	21.79	553.5	26
47BAXSB35AM3	9.6-25.8	12-35	244	4.9	2.22	3/8" SQ	23.05	585.5	26
47BAXSB50AM3	13.3-36.9	18-50	168	5.0	2.27	3/8" SQ	23.39	594.0	26
47BAXSB70AH4	18-52	25-70	123	8.4	3.79	1/2" SQ	26.7	678.0	26

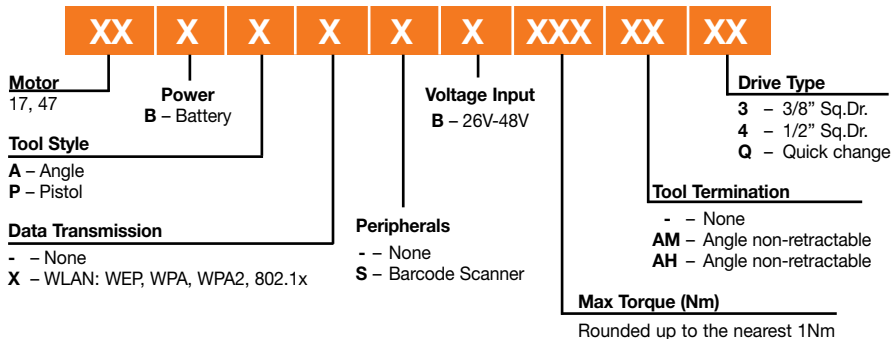
*Weight of 26V Li-Ion battery (1.04lbs./0.47kg).

General: All tools must be used with a approved Cooper Power Tools line controller.

Standard Equipment:

Integrated infrared communications.

Cordless Tools Nomenclature

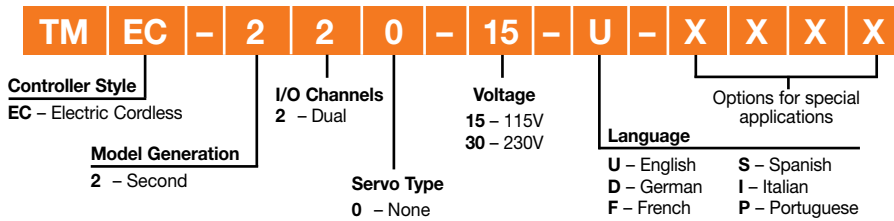


TMEC Series Tightening Manager Controller

- Multiple channel configurations
- Configurable 24V I/O
- Ethernet TCP/IP standard
- Serial & USB ports standard
- Local data storage & troubleshooting
- High resolution color LCD
- Full programming keypad



TMEC Nomenclature



Controllers

Model Number*		Features	Weight		Width		Height		Depth	
115VAC	230VAC		lbs.	kg	in.	mm	in.	mm	in.	mm
TMEC-220-15-*	TMEC-220-30-*	1-10 channel controller, Ethernet, I/O	13	5.9	11	279.9	17	431.8	5	12.7
T3M-50-N-11-U-DLW		1-10 channel controller, Ethernet, Devicenet, I/O	45	20.4	19	482.6	15	381.0	13	330.2

*Languages offered: D-German, P-Portuguese, S-Spanish, U-English, F-French, I-Italian



LiveWire Power Module

- Up to 83% faster!
- Auto sensing input – (85-275 VAC)
- Power & status LEDs
- Electronic circuit protection
- Durable metal housing
- Light weight – 6.8lbs. (3.1kg)



Power Module

Model No.	Weight		Width		Length		Depth	
	lbs.	kg	in.	mm	in.	mm	in.	mm
961350	1.5	6.8	9.4	240	4.7	120	5.9	150

2M power cable included.



Speed Improvement Comparison

Series	Model Number	Free Speed (RPM)		% Increase
		26V Battery	48V Power Module	
Pistol	17BPXSB05Q	1639	2428	48%
	17BPXSB07Q	1161	1721	48%
	17BPXSB09Q	887	1314	48%
	17BPXSB13Q	629	931	48%
Right Angle	47BAXSB15AM3	538	983	83%
	47BAXSB21AM3	411	751	83%
	47BAXSB28AM3	291	532	83%
	47BAXSB35AM3	244	447	83%
	47BAXSB50AM3	168	293	75%
	47BAXSB70AH4	123	216	75%



TMEB-COM Software

Part Number	Description
TMEB-COM-V2.03 (V2.03.06 or higher)	Programming software

Tool Holders

Part No.	Description
935144	Pistol tool holder w/infrared interface
935396	Pistol tool holder
935290	Angle tool holder w/infrared interface
935395	Angle tool holder
935170	Infrared interface cable
935998	70 Nm RA & Crowfoot tool holder
935999	70 Nm RA & Crowfoot tool holder w/infrared interface



Pistol Dead Handle

Part No.	Description
301837	Reversible mount



Tool Holder Extension Cables

Part No.	Description
935154	9' (3m) extension cable
935155	19.5' (6m) extension cable
935157	33' (10m) extension cable

Services & Support

Even the most durable tools need a support plan to cover maintenance. Cooper Services offers responsive customer support and maintenance services, ensuring your solution operates seamlessly and efficiently.

For more information on our wireless intelligent products, contact us at 1-800-845-5629, or visit www.cooperpowertools.com.

WLAN Access Point

2.4 GHZ NA No.	Description
543995	WLAN Access Point
Radio Range: 30-50 meters IEEE 802.11b Max. Tools: 10	



Spare Battery

Part No.	Description
935377	26V Li-Ion battery (1.04lbs./0.47kg)



Battery Charger

Part No.	Description
935391	26V battery charger

- Auto sensing – (100-240 VAC)
- Charge time: 1 hr.
- Power & Status LEDs



Vmax Tethers

Part Number	
Tool	Extension
961341-***	961342-***

***Length: 030=3m, 060=6m, 080=8m, 100=10m
Note: Maximum 20M length



Cooper Power Tools
P.O. Box 1410
Lexington, SC 29071-1410
USA
Phone: 800-845-5629
803-359-1200
Fax: 803-359-0822

Cooper Power Tools
4121 North Atlantic Blvd.
Auburn Hills, MI 48326
USA
Phone: (248) 391-3700
Fax: (248) 391-6295

Cooper Power Tools
5925 McLaughlin Road
Mississauga, Ontario
Canada L5R 1B8
Phone: (905) 501-4785
Fax: (905) 501-4786

Cooper Power Tools de México S.A. de C.V.
Libramiento La Joya No. 1
Bodega No. 2
Esq. Politécnico
Barrio San José
Cuautitlán, Edo de México
C.P. 54870

Phone: +52-55-5899-9510
Fax: +52-55-5870-5012

Cooper Tools Industrial Ltda.
Av. Liberdade, 4055
Zona Industrial - Iporanga
18087-170 Sorocaba, SP
Brazil
Tel: +55-15-3238-3929
Fax: +55-15-228-3260

Cooper Power Tools SAS
Zone industrielle – B.P. 28
77831 Ozoir-la-Ferrière Cedex
France
Téléphone: +33-1-6443-2200
Téléfax: +33-1-6440-1717

Cooper Power Tools GmbH & Co. OHG
Postfach 30
D-73461 Westhausen
Germany
Phone: +49 (0) 73 63/ 81-0
Fax: +49 (0) 73 63/ 81-222
E-Mail: htwe.sales@cooperindustries.com

Cooper Tools Hungária Kft.
Berkenyefa sor 7
H-9027 Győr
Hungary
Tel: +36-96-505 300
Fax: +36-96-505 301

Cooper (China) Co., Ltd.
955 Sheng Li Road,
Heqing Pudong, Shanghai
China 201201
Tel: +86-21-28994176
+86-21-28994177
Fax: +86-21-51118446

www.cooperpowertools.com

Cooper Industries, Ltd.
600 Travis, Ste. 5800
Houston, TX 77002-1001
P: 713-209-8400
www.cooperindustries.com