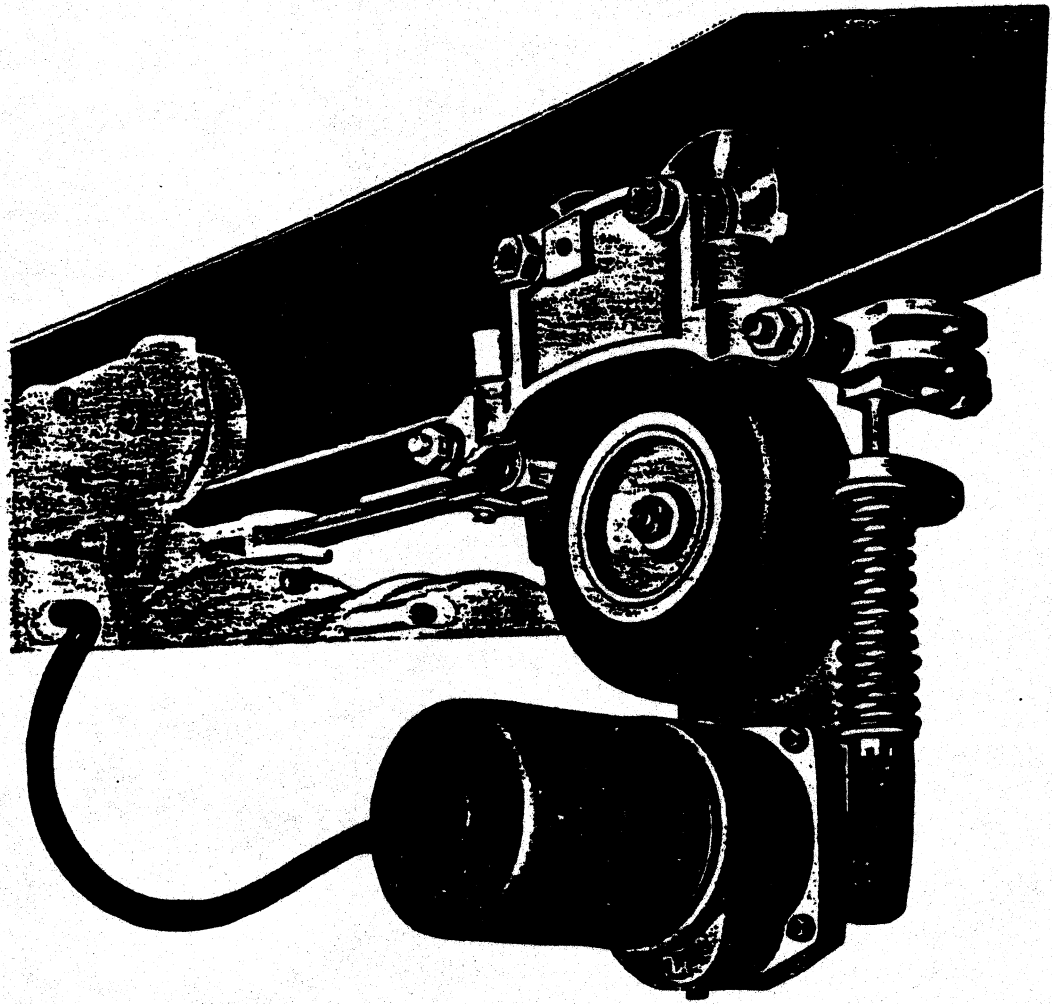


**TT SERIES
TROLLEYS**

**Parts and Instruction
Manual**

Yale®



TT Series**INSTALLATION**

Yale TT Series Tractor Trolleys are factory adjusted to fit the I-Beam size stated on the order. If the Trolley must be dis-assembled for installation on the I-Beam, note the arrangement of the spacers and washers for correct reassembly.

⚠ WARNING

ALL (AIR OR ELECTRIC) POWER MUST BE REMOVED BEFORE ATTEMPTING INSTALLATION OR REPAIR.

- (a) Remove the cotter pin from the slotted hex nut on the spring rod.
- (b) Loosen the spring rod hex nut to relieve spring pressure so that the wheel will clear the I-Beam.
- (c) Install the trolley on the I-Beam. If the trolley was dis-assembled for installation, make sure it is centered on the I-Beam after reassembly.
- (d) Tighten the hex nut on the spring rod to adjust wheel pressure.
- (e) Attach trolley to the hoist with the tow fitting provided.
- (f) Make compressed air supply line connections.

PREVENTIVE MAINTENANCE**PERIODIC INSPECTION AND PREVENTIVE MAINTENANCE**

Proper care and maintenance of the trolley assembly is important for maximum safety and efficiency. Special attention should be given to the following:

- (a) Check the grease level in both sections of the trolley assembly. Add grease to the proper level when necessary.
- (b) Check unit for grease leaks and repair when necessary.
- (c) Check Tow Fitting components for wear and replace when necessary.
- (d) Blow out electric motor periodically with compressed air.
- (e) Replace worn or damaged bearings when necessary.

CORRECTIVE MAINTENANCE**⚠ WARNING**

ALL POWER MUST BE REMOVED BEFORE ATTEMPTING ANY REPAIR. DISCONNECT AND TAG WIRES OR HOSES. PULL SWITCH OR CLOSE VALVE AND ATTACH A "DO NOT TURN ON" TAG.

SECTION B

TT Series

CORRECTIVE MAINTENANCE (Continued)

1. **To Replace Wheel And Tire:**
 - (a) Relieve spring pressure to allow tire to clear I-Beam.
 - (b) Remove cotter pin and nut from drive shaft.
 - (c) Remove wheel and tire.
 - (d) With hydraulic pressure remove wheel from tire. Press on new tire.
 - (e) Reverse above to install.

2. **To Replace Guide Roller:**
 - (a) Remove driv-lok pin. Narrow end of taper faces out. Tap guide roller assembly out of side plate.
 - (b) With snap ring pliers remove large snap ring and roller.
 - (c) Remove small snap ring and bearing from shaft.
 - (d) Reverse above to install.

3. **To Remove Tractor Trolley Assembly:**
 - (a) Disconnect and tag wires or hoses between unit and trolley.
 - (b) Remove cotter pin washer and pin from tow fitting holding hoist unit to trolley.
 - (c) With a sling around trolley attach to overhead hoist.
 - (d) Relieve spring tension on wheels.
 - (e) Remove double end studs, tow fitting, spacer fitting, side plates and washers holding trolley on I-Beam.
Note arrangement of spacers and washers for correct reassembly.
 - (f) Lower trolley to floor.
 - (g) Reverse above to install.

4. **To Replace Trolley Wheel:**
 - (a) Remove tractor trolley assembly and side plate assembly.
 - (b) Remove nut and lockwasher from shaft. Tap trolley wheel shaft out of side plate and wheel.
 - (c) With snap ring pliers remove two (2) snap rings and bearing from center of trolley wheel.
 - (d) Check bearing and snap rings. Replace when necessary. Insert snap rings with sharp edge away from bearing and facing the pressure side of groove.
 - (e) Reverse above to install.

5. **Repair Procedure:**
 - (a) Wash and thoroughly clean all parts.
 - (b) Check and replace all parts that show signs of excessive wear.
 - (c) Replace "O" ring if cut or damaged, remove all sharp edges around "O" ring groove. Apply a light coating of grease to "O" ring before installation.
 - (d) Check all bearings for flat spots. Replace bearings with damaged seals.

When Replacement Parts Are Needed, Order Only Yale® Factory Engineered Parts

RECOMMENDED SEQUENCE OF DISASSEMBLY AND REASSEMBLY

See Parts Pages For Nomenclature Of Various Parts.

NOTE: Never disassembly the trolley in dirty surroundings or allow dirt, grit or any other foreign material to get on the working parts of the trolley or into the working areas of those parts.

⚠ WARNING

DISCONNECT ALL POWER BEFORE ATTEMPTING DISASSEMBLY.

1. Disassembly

- (a) Remove the cotter pin, nut, spring guides and tension spring.
- (b) Remove four (4) screws from motor. Disconnect and tag air supply lines when necessary. Tap motor and bearing out of gear housing.
- (c) Drain grease from housing and gear case.
- (d) Remove six (6) hex bolts from housing cover. Remove cover.
- (e) Remove coupler link assembly from chain and remove chain.
- (f) Remove cotter pin, nut and sprocket from drive shaft.
- (g) Remove drive shaft snap rings and bearings. These are located in the housing.
- (h) Remove three (3) bolts from eccentric. These bolts also hold the gear case to housing. Remove gear case.
- (i) Remove four (4) bolts from gear case cover. Remove cover.
- (j) Remove nut from drive sprocket shaft. Tap shaft out of gear, bearing spacer and second bearing with a brass rod.
- (k) Remove gear and pinion. Remove bearings from gear and pinion.

2. Reassembly

- (a) Install drive shaft spacer, bearings and snap rings in housing. Tap drive shaft in place, install sprocket wheel and nuts.
- (b) Install bearings on gear and pinion. Insert in gear case cover. Be sure that pinion end of gear and pinion face cover.
- (c) Install a bearing, spacer and bearing on drive sprocket. Insert assembly in gear case cover and tap sprocket assembly in place through the slow speed gear. Install and tighten stover nut on end of sprocket.
- (d) Insert eccentric in housing.
- (e) Apply a light coating of seal tight to mating surface of gear case cover and housing.
- (f) Insert shoulder of gear case cover through eccentric.

When Replacement Parts Are Needed, Order Only Yale® Factory Engineered Parts

TT Series

- (g) Install chain. Rotate eccentric for least amount of chain slack. Install and tighten the (3) bolts. The chain must have a slight amount of play.
- (h) Install "O" ring and motor.
- (i) Apply a light coating of seal tight to mating surfaces of housing and housing cover.
- (j) Install housing cover insert and tighten six (6) hex bolts.
- (k) Insert and tighten grease drain plugs. Remove grease level plugs and insert grease to proper level.
- (l) Install and tighten grease plugs.
- (m) Check unit for leaks. Wheel should turn freely.
- (n) Check operation of unit, then install trolley assembly and complete unit on I-beam. Connect compressed air supply lines. Make necessary adjustments.
- (o) Unit is now ready for operation.

TT Series Trolleys - Tractor Trolley

GEARCASE AND CHAIN CASE	GULF EDP NO. 2 GREASE	SOCKET HEAD PLUG ON SIDE OF CHAIN CASE	FILL UNTIL GREASE IS LEVEL WITH HOLE	SOCKET HEAD PLUG IN BOTTOM OF GEAR CASE
----------------------------	--------------------------	--	--	---

When Replacement Parts Are Needed, Order Only Yale® Factory Engineered Parts


Yale Hoisting Equipment

TT Series

TRANSFORMER

VA	Primary Volts	Secondary Volts	Hertz	Part Number	Replacement Fuse
25	115/230	24	50/60	6437393-01	N/R
	230/460	24	50/60	6437393-02	N/R
	115/230	110	50/60	6437393-03	N/R
	230/460	110	50/60	6437393-04	N/R
	200	24	50/60	6437393-05	N/R
	200	110	50/60	6437393-06	N/R
	575	24	50/60	6437393-07	N/R
	575	110	50/60	6437393-08	N/R

CONTACTOR

	COIL VOLTAGE	CONTACTOR PART NO.	COIL PART NO.	CONTACT KIT	AUXILIARY CONTACT
	24	6401559-01	5030618-00	6400028-00	6446608-01 (N.O.)
	115	6401559-02	5030628-00		6446608-02 (N.C.)

TROLLEY MOTOR _____

When Replacement Parts Are Needed, Order Only Yale[®] Factory Engineered Parts

TT Series

PUSH BUTTON

2740		Enclosure (Less) (Elements)	Two Button Four Button Six Button Eight Button Ten Button	6452753-02 6452753-04 6452753-06 6452753-08 6452753-10
2750		Elements	Single Speed (Pair)	6452763-01
			Two Speed (Pair)	6452763-02
			Five Speed (Pair)	6452763-05
			Maintained/ Momentary	6455953-00
		Selector Switch	Two Position Three Position	6463493-00 6455983-00
		Pilot Light	115 Volt Red	6455973-00
		Potentiometer	1000 Ohm	6451821-01
		Elements	Single Button (One)	6456263-00
		Off/On Element	Locking Non-Locking	6455963-00
	Closing Plate		6452883-00	

When Replacement Parts Are Needed, Order Only Yale[®] Factory Engineered Parts

TT Series

PUSH BUTTON

2760	Component Number	Markings				
		1	1A	1B	2	3
	6452803-01	Hoist			Up	Down
	6452803-02	Trolley			East	West
	6452803-03	Trolley			Forward	Reverse
	6452803-04	Trolley			North	South
	6452803-05	Bridge			Foward	Reverse
	6452803-06	Bridge			East	West
	6452803-07	Bridge			North	South
	6452803-08				Start	Stop
	6452803-09				Reset	Stop
	6452803-10					
	6452803-11				Foward	Reverse
	6452803-12				North	South
	6452803-13				East	West
	6452803-14				In	Out
	6452803-15				Left	Right
	6452803-16	Crane			Forward	Reverse
	6452803-17				Off	On
	6452803-18				On	Off
	6452803-19				Stop	Start
	6452803-20				Stop	Reset
	6452803-21					Run
	6452803-22				Inch Slow	Fast

2710		Complete Station	Two Button	Up-Down	6480701-01
			S / Speed	Fwd- Rev	6480701-02
			Two Button	Up-Down	6469823-01
			Two Speed	Fwd-Rev	6469823-02
2710		COMPLETE STATION	TWO BUTTON S/SPEED	6471993-00	
2710		For Explosion Proof or other Special Push Buttons, Refer to Dealer or Yale Service Department			

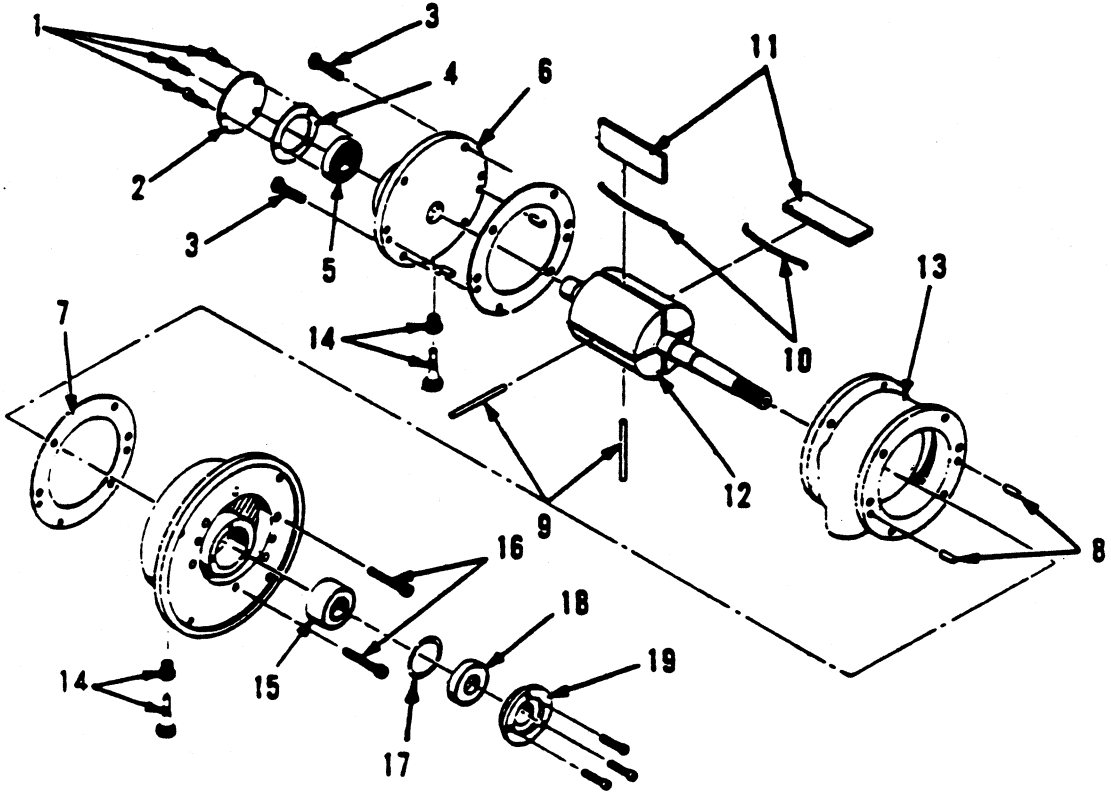
When Replacement Parts Are Needed, Order Only Yale[®] Factory Engineered Parts

T Series

TROLLEY MOTOR

648943100 (Splined Shaft for RT Trolley)

640585400 (Keyed Shaft for ST & TT Trolley)



FORM NO. 165-910-004

When Replacement Parts Are Needed, Order Only Yale[®] Factory Engineered Parts

FEBRUARY 1985

TT SERIES

Yale Hoisting Equipment

AIR MOTOR AND ADAPTER ASM.

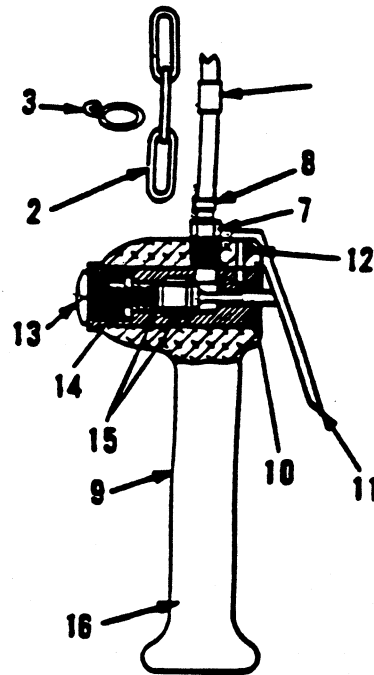
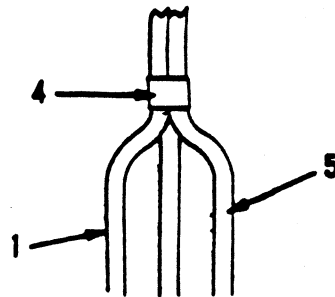
TT Series (Air Powered)

ITEM	PART NO. 1/2" PIPE	DESCRIPTION	QTY.
1	6453748-00	SCREW	6
2	6421178-00	END CAP	1
3	6453758-00	SCREW	6
4	6421188-00	GASKET	1
5	6421088-00	BEARING	1
6	6421028-00	END PLATE	1
7	6421138-00	GASKET	2
8	6421128-00	DOWEL PIN	4
9	6421068-00	PUSH PIN	2
10	6421058-00	VANE SPRING	4
11	6421048-00	VANE	4
12	NOT AVAILABLE	ROTOR ASSEMBLY	1
13	6421008-00	BODY	1
14	6453768-00	OILER ASSEMBLY	2
15	6421078-00	BEARING	1
16	6453778-00	SCREW	6
17	6421198-00	"O" RING	1
18	6421118-00	SEAL	1
19	6421168-00	END CAP	1
20	6421228-00	REPAIR KIT (INCL. ITEMS 4, 5, 7, 9, 10, 11, 15, 17 & 18) .	1
21	6414140-00	MOTOR ADAPTER ASM. (INCL. ITEMS 22 through 27) .	1
22	6405083-00	MOTOR ADAPTER (NOT SHOWN)	1
23	0655796-00	SCREW (NOT SHOWN)	4
24	0515197-00	RETAINING RING (NOT SHOWN)	1
25	0325737-00	BEARING (NOT SHOWN)	1
26	0150290-00	LOCKWASHER (NOT SHOWN)	4
27	0150288-00	WASHER (NOT SHOWN)	4

When Replacement Parts Are Needed, Order Only Yale® Factory Engineered Parts

TT Series (Air Powered)

Control and Hose Assembly



185-000-014

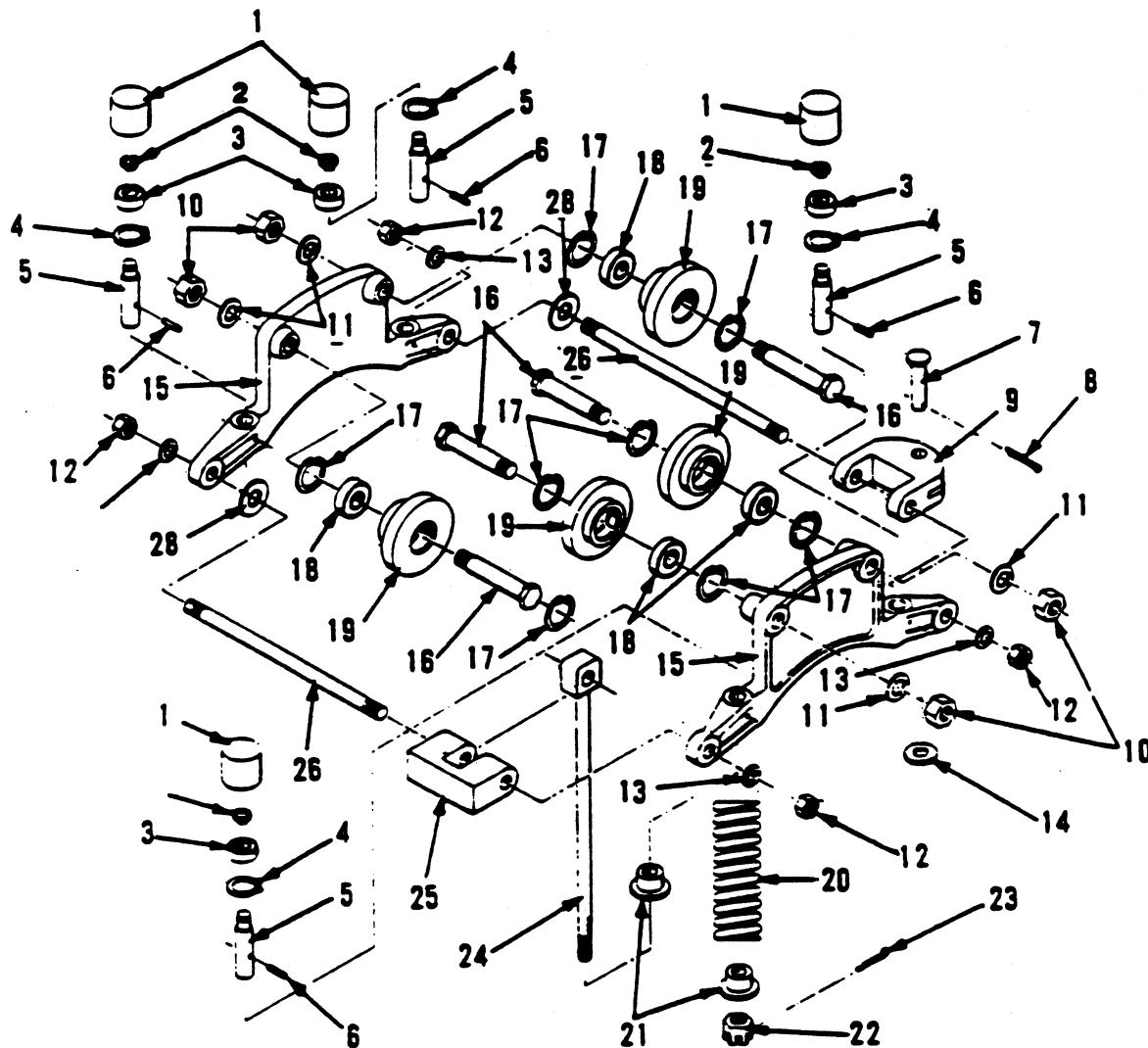
ITEM NUMBER	PART NUMBER	DESCRIPTION	QTY
1	6414150-25	HOSE ASSEMBLY (Includes Items 2 Through 8)	1
2	0107222-00	ANCHOR CHAIN (Specify Length)	1
3	0107225-00	HOOK	5
4	0612596-00	HOSE BINDER	3
5	6410078-81	HOSE (Specify Length)	1
6	6410108-00	HOSE FITTING (Not Shown)	3
7	6410118-00	HOSE FITTING	3
8	6412118-00	FASTENERS	6
9	6407204-00	PENDANT HANDLE ASSEMBLY (Includes Items 10 Through 15)	1
10	6407204-03	LOWER VALVE ASSEMBLY	2
11	6407204-01	THROTTLE LEVER	2
12	6407204-02	THROTTLE LEVER PIN	1
13	6407204-06	VALVE CAP	2
14	6407204-05	VALVE SPRING	2
15	6407204-04	VALVE SEAL RING	4
16	6418200-00	CONTROL ASSEMBLY (Includes Items 9 Through 25)	1
17	0103737-00	LOCKNUT (Not Shown)	4
18	0114200-00	ADJUSTING WASHER (Not Shown)	4
19	5005019-11	NIPPLE (Not Shown)	1
20	5005019-12	NIPPLE (Not Shown)	2
21	5005019-14	PIPE (Not Shown)	2
22	6407374-00	SUPPORT (Not Shown)	1
23	6410028-00	VALVE (Not Shown)	2
24	6410188-00	BUSHING (Not Shown)	2
25	6412078-00	ELBOW (Not Shown)	4

When Replacement Parts Are Needed, Order Only Yale® Factory Engineered Parts

Yale Hoisting Equipment

TROLLEY PARTS

TT Series



YE-0423

TABLE 1

0303446-00	WHEEL, STL ASI 5"-UP(4"O.D.)	**
0551296-00	WHEEL, STL ASI 4"(3½"O.D.)	0
5024093-00	WHEEL, STL ASI 5"-UP (WIDE TRD.)(4"O.D.)	0
* 6411441-00	WHEEL, STL ASI 3" TREAD DIA.(3"O.D.)	0
5036591-00	WHEEL, BRONZE ASI 5"-UP (4"O.D.)	**
0300394-00	WHEEL, STL PAT. TRACK & WIDE FLANGE (4"O.D.)	**
6402201-00	WHEEL, BRONZE PAT. TRACK & WIDE FLG. (4"O.D.)	**
6411901-00	WHEEL, STL TAPER-WIDE FLANGE (3 29/32"O.D.)	0

0 - SPECIAL

* When 6411441-00 Wheel Is Used, Rod End 6419783-00 Must Be Used With It.

** STANDARD

When Replacement Parts Are Needed, Order Only Yale[®] Factory Engineered Parts

TROLLEY PARTS

TT Series

TABLE 2

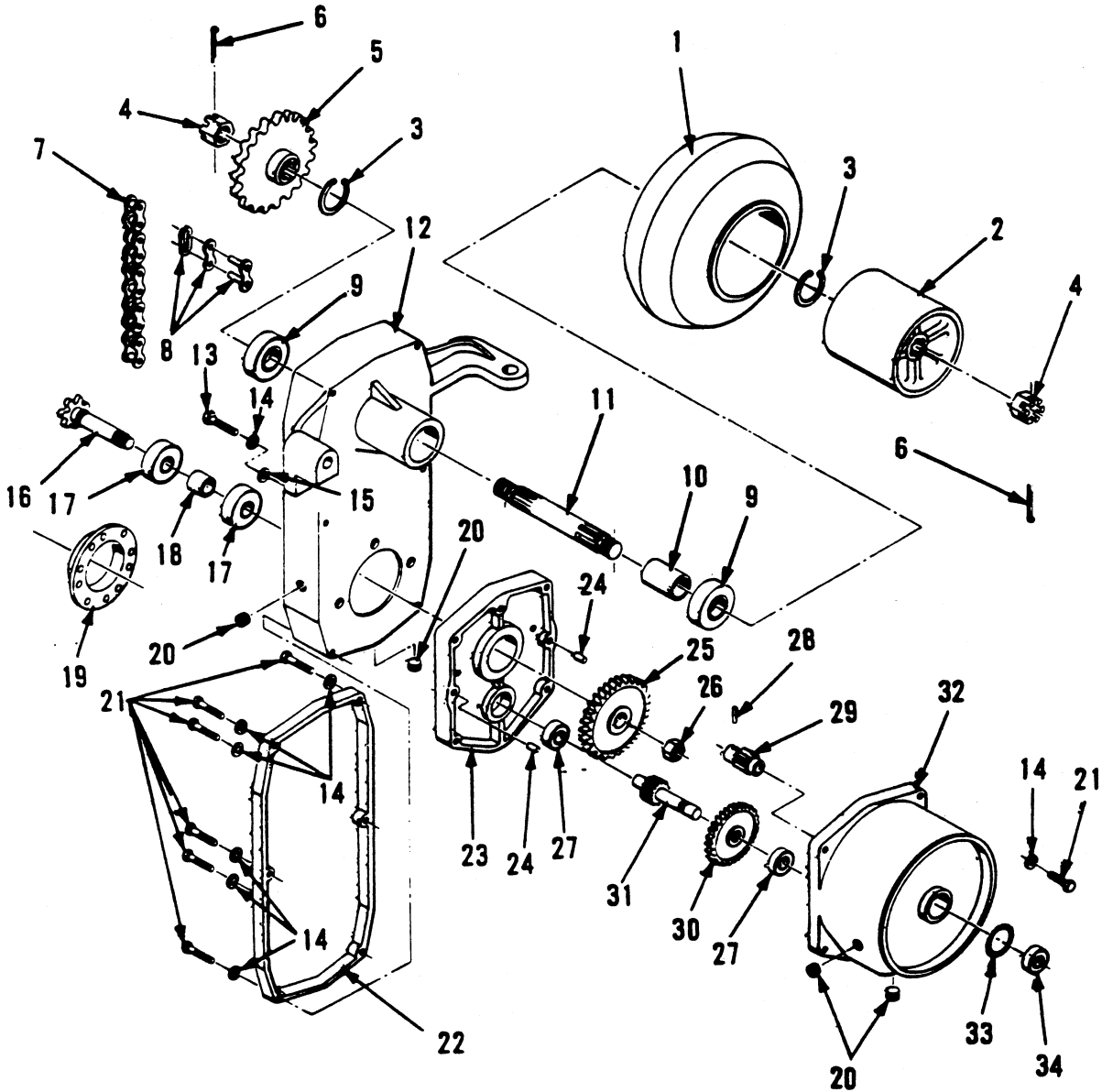
PART NUMBER DOUBLE END STUD	BEAM FLANGE	PART NUMBER ADJUSTING WASHER	QTY.
0101024-00	PAT. TRACK	0114200-00	48
0101023-00	4"-7" FLANGE	0114200-00	36
0101019-00	7"-10" FLANGE	0114200-00	48

ITEM NUMBER	PART NUMBER	DESCRIPTION	QTY.
1	0300324-00	GUIDE ROLLER, STD.	4
	5036611-00	GUIDE ROLLER, BRONZE	4
	6414191-00	GUIDE ROLLER, STD.(FOR 2" PAT. TRK.)	4
2	0110030-00	SNAP RING	4
3	0100850-00	BALL BEARING (6202-2Z)	4
4	0645705-00	SNAP RING	4
5	0300342-00	STUD, GUIDE ROLLER	4
6	0319861-00	PIN, GROOVE (1/4 x 1 1/4)	4
7	0317524-00	PIN, F/CONNECTOR LINK	1
	6490821-00	PIN, F/CONNECTOR LINK (STAINLESS STEEL)	1
8	0102795-00	COTTER PIN (5/32 x 1 1/4)	1
9	5009093-00	TOW FITTING (STD.)	1
	5031843-00	TOW FITTING (BRZ.)	1
10	0149714-00	JAM NUT (3/4 - 10)	4
11	0150371-00	LOCKWASHER 3/4 SHAKEPROOF	4
12	0149374-00	HEX NUT (5/8-11)	4
13	0150268-00	LOCKWASHER(5/8-11)	4
14	0144735-00	WASHER, FLAT(1/16 x 13/16 I.D.)	1
15	0305137-00	SIDE PLATES	2
16	0300363-00	WHEEL AXLE	4
17	0645708-00	SNAP RING	8
18	5003539-02	BEARING(EEB6-2Z)	4
19	SEE TABLE 1	WHEEL	4
20	0246732-00	SPRING	1
21	0306317-00	SPRING GUIDE	2
22	0149779-00	SLOTTED NUT(5/8-11)	1
23	0102795-00	COTTER PIN(1/8 x 1 1/4)	1
24	0324199-00	ROD END, STD.	1
25	0306246-00	SPACER FITTING	1
26	SEE TABLE 2	DOUBLE END STUD	2
27	0116459-00	SPACER,ASI 3"-8" FLG.(NOT SHOWN)	8
		SPACER, PATENT TRK.	0
		SPACER, WIDE FLANGE 4"-7"	4
		SPACER, WIDE FLANGE 7"-10"	8
28	SEE TABLE 2	ADJUSTING WASHER	
29	6494681-00	SPACER WHEEL BRG.(NOT SHOWN)	8

TT20

When Replacement Parts Are Needed, Order Only Yale® Factory Engineered Parts

TT Series Tractor Parts STANDARD SPEED UNITS



YE-0424
185-812-021

When Replacement Parts Are Needed, Order Only YALE[®] Factory Engineered Parts

TT Series

TRACTOR PARTS STANDARD SPEED UNITS

STANDARD SPEED UNITS

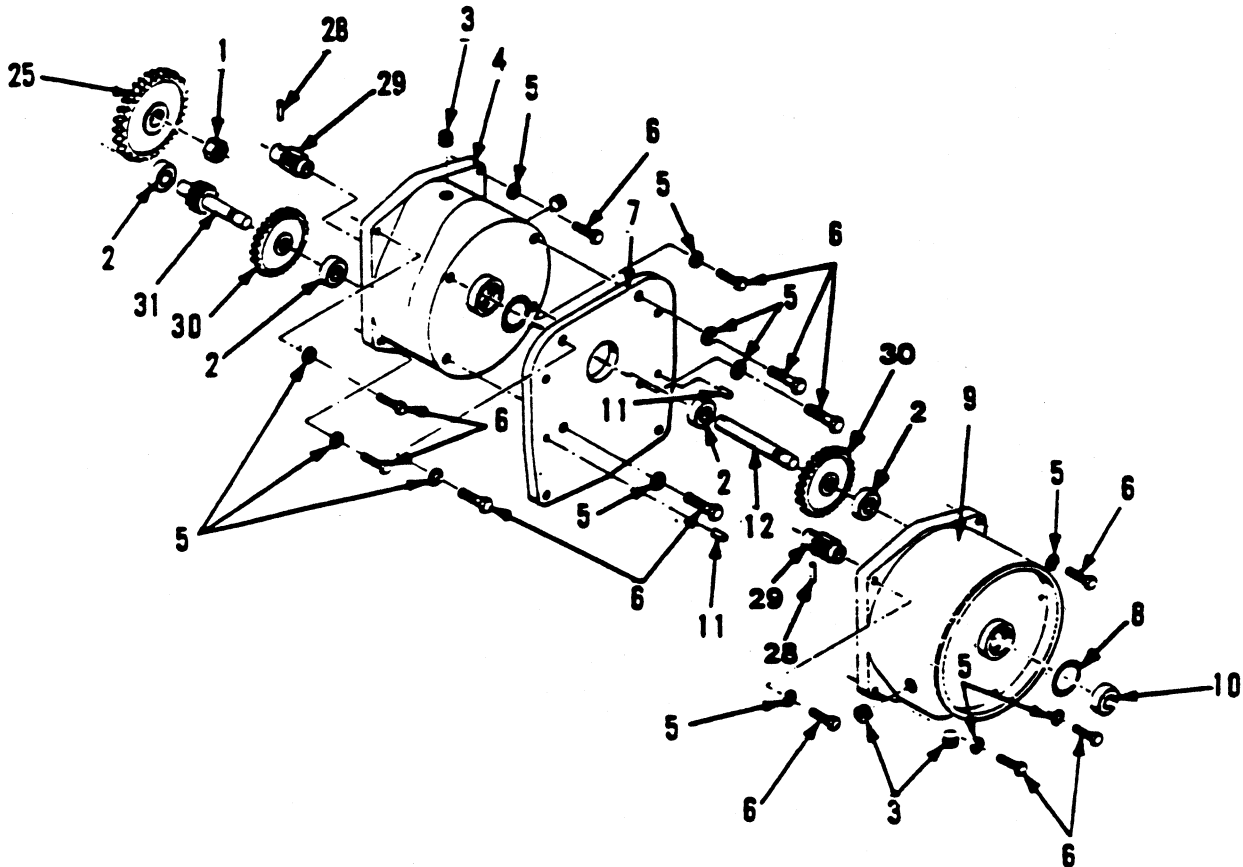
ITEM NUMBER	PART NUMBER	DESCRIPTION	QTY.
1	0317440-00	TIRE, RUBBER (STD.)	1
	6443034-00	TIRE, POLYURETHANE (SPECIAL)	1
	6422603-00	TIRE, NEOPRENE (SPECIAL)	1
2	0306112-00	WHEEL,HUB (STD.)	1
	6415223-00	WHEEL,HUB (CAST STL.)	1
3	6400469-13	SNAP RING	2
4	0652673-00	SLOTTED NUT (3/4-16)	2
5	0300426-00	SPROCKET (20 TEETH)	1
6	0102809-00	COTTER PIN, 5/32 x 1 1/4	2
7	SEE TABLE 3	CHAIN	1
8	0118590-00	COUPLER LINK	1
9	0220617-00	BALL BEARING, 6305-2Z	2
10	0300402-00	BEARING SPACER	1
11	0300296-00	DRIVE SHAFT	1
12	0300579-00	HOUSING	1
13	0597191-00	SCREW,(3/8-16 x 1 1/2)	3
14	0150264-00	LOCK WASHER (3/4-MED)	13
15	0114239-00	FLAT WASHER,(7/16)	3
16	SEE TABLE 3	DRIVE SPROCKET	1
17	6433178-00	BEARING, 6304-J	2
18	0306190-00	BRG. SPACER, (1 5/8 LG.)	1
19	0305459-00	ECCENTRIC	1
20	0230825-00	PIPE PLUG, (3/8-18) SOC. HD.	4
21	0570482-00	SCREW, (3/8-16 x 1")	10
22	0319771-00	HOUSING COVER	1
23	0305362-00	GEAR CASE COVER	1
24	6400529-01	DOWEL PINS	2
25	SEE TABLE 3	SLOW SPEED GEAR	1
26	0326590-00	LOCKNUT, 5/8-11	1
27	0100850-00	BALL BEARING, 6202-2ZG.	2
28	SEE TABLE 3	PINION PIN	1
29	SEE TABLE 3	PINION, MOTOR	1
30	SEE TABLE 3	GEAR, INTERMEDIATE	1
31	SEE TABLE 3	PINION, INTERMEDIATE	1
32	0192483-00	GEAR CASE	1
33	0193248-00	O RING	1
34	0325737-00	BEARING, W202PP	1
35	6433553-00	NAMEPLATE,TRACTOR(NOT SHOWN)	1
36	0209149-00	DRIVE RIVET, No. 2 x 1/4 (NOT SHOWN)	4
37	6458141-00	DECAL,YALE (NOT SHOWN)	1

When Replacement Parts Are Needed, Order Only Yale® Factory Engineered Parts

Yale Hoisting Equipment

TT Series

SPEED REDUCER SLOW SPEED UNITS



ITEM NUMBER	PART NUMBER	DESCRIPTION	QTY.
1	0326590-00	LOCKNUT (5/8-11)	1
2	0100850-00	BEARING, 6202-2Z	4
3	0230825-00	PIPE PLUG, 3/8-18	4
4	0626346-00	SPECIAL GEAR CASE	5
5	0150264-00	LOCKWASHER, 3/8-MEDIUM	12
6	0570482-00	SCREW, (3/8-16 x 1)	12
7	0626338-00	ADAPTER PLATE	1
8	0193248-00	"O" RING	2
9	0192483-00	STD. GEAR CASE	1
10	0325737-00	BEARING, W202	1
11	6400529-00	DOWEL PIN (1/4 - 3/4)	2
12	6442073-00	SHAFT	1
25	SEE TABLE 3	SLOW SPEED GEAR	1
28	SEE TABLE 3	MOTOR PINION PIN	1
29	SEE TABLE 3	MOTOR PINION	1
30	SEE TABLE 3	GEAR, INTERMEDIATE	1
31	SEE TABLE 3	PINION, INTERMEDIATE	1

TT23

When Replacement Parts Are Needed, Order Only Yale® Factory Engineered Parts

TABLE 3 GEARING FOR TRACTOR TROLLEY

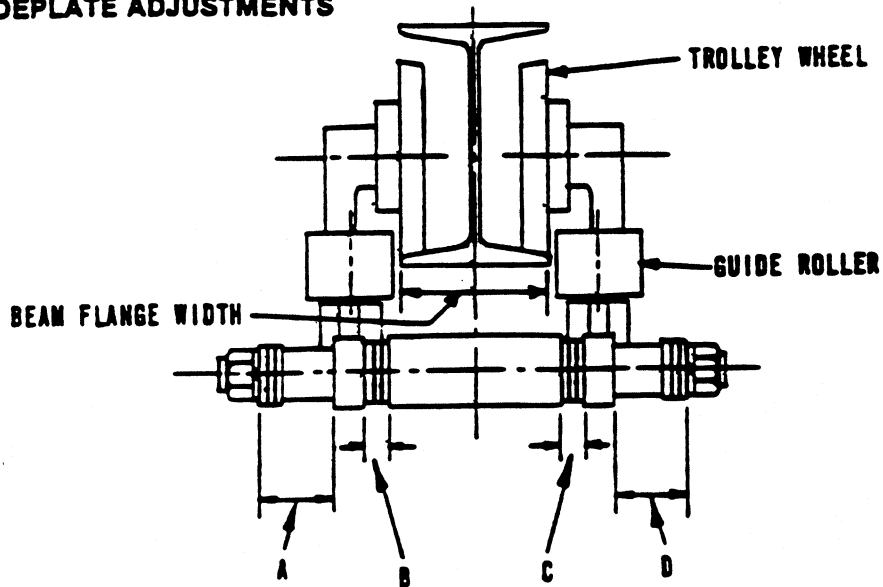
ITEM NUMBER	PART NUMBER	DESCRIPTION	SLOW SPEEDS						STANDARD SPEEDS							
			5 1/2 MIN	11 FT MIN	17 FT MIN	25 FT MIN	35 FT MIN	50 FT MIN	75 FT MIN	100 FT MIN	150 FT MIN	200 FT MIN	250 FT MIN			
29	0104002-00	MOTOR PINION (101)				1								1		
	0104007-00	MOTOR PINION (121)	2	2	2											
20	0100053-00	PIN FOR 101 PINION				1								1		
	0100050-00	PIN FOR 121 PINION	2	2	2											
30	0407531-00	GEAR (521)	2	2	2											
31	0407511-00	PINION (121)	1	1	1											1
	0407541-00	GEAR (401)				1	1								1	
31	0407501-00	PINION (151)														1
30	0407531-00	GEAR (521)														
31	0407501-00	PINION (151)														
25	0220300-00	SLOW SPEED GEAR (501)	1	1	1											1
	0220400-00	SLOW SPEED GEAR (471)														
10	0300000-00	DRIVE SPROCKET (07)	1	1	1											
	0300400-00	DRIVE SPROCKET (111)														
7	0331512-00	3/4 INCH ROLLER CHAIN (27 1/2 INCHES LONG)	1	1	1											
	0331511-00	3/4 INCH ROLLER CHAIN (20 1/2 INCHES LONG)														1

NOTE: Item 30 And 31 In Order Units Was A One Piece Part. If A One Piece Part Is Ordered The Gear Number 30 And Pinion Number 31 Will Both Be Supplied.

NOTE: For 11 FPM Tractor, use Trolley for 17 FPM with a 1200 RPM Motor.
For 5 1/2 FPM Tractor, use Trolley for 17 FPM with a 600 RPM Motor.

TT Series

TROLLEY SIDEPLATE ADJUSTMENTS



FLANGE WIDTH	A	B	C	D
2 INCHES	S+6	0	0	S+6
3 INCHES	S+3	3	3	S+3
3.25 INCHES	S+2	4	4	S+2
3.33 INCHES	S+2	4	4	S+2
3.66 INCHES	S+1	5	5	S+1
4 INCHES	6	S	S	6
4.33 INCHES	5	S+1	S+1	5
4.66 INCHES	4	S+2	S+2	4
5 INCHES	3	S+3	S+3	3
5 1/2 INCHES	2	S+4	S+5	1
6 INCHES	0	S+6	S+6	0

S Designates Spacer Tube Part Number 0116459-00. Numbers 0 To 6 Are Quantities Of Washer Part Number 0114200-00.

165-912-023

When Replacement Parts Are Needed, Order Only Yale[®] Factory Engineered Parts

TT Series

TABLE OF HORSEPOWER AND R.P.M. FOR MOTORS USED ON TRACTOR TROLLEYS

MODEL	CAPACITY (TONS)	SPEED F.P.M.	MOTOR H.P.	MOTOR R.P.M.
TLA5.5	1	5.5	1/2	600
11	1	11	1/2	1200
17	1	17	1/2	1800
25	1	25	1/2	1800
35	1	35	1/2	1800
250*	1	250	1/2	1800
T1 1/2A5.5	1 1/2	5.5	1/2	600
11	1 1/2	11	1/2	1200
17	1 1/2	17	1/2	1800
25	1 1/2	25	1/2	1800
35	1 1/2	35	1/2	1800
200*	1 1/2	200	1/2	1800
250*	1 1/2	250	3/4	1800
T3A5.5	3	5.5	1/2	600
11	3	11	1/2	1200
17	3	17	1/2	1800
25	3	25	1/2	1800
35	3	35	1/2	1800
50*	3	50	1/2	1200
75*	3	75	1/2	1800
100*	3	100	1/2	1800
150*	3	150	3/4	1800
TSAS.5	5	5.5	1/2	600
11	5	11	1/2	1200
17	5	17	1/2	1800
25	5	25	1/2	1800
35	5	35	1/2	1800
50*	5	50	3/4	1200

* Models Marked Are Standard Models-Others Are Slow Speed

NOTE: When Motors Or Motor Parts Are Ordered Give The Complete Trolley And Motor Name Plate Data.

When Replacement Parts Are Needed, Order Only Yale[®] Factory Engineered Parts

TT SERIES

TOW LINK ASSEMBLY

STANDARD HEADROOM (BOLT ON TYPE)

CHASSIS RATING	STANDARD TOW LINK	S. STL TOW LINK	CTR. LINE LENGTH	STD. TOW LINK ASM.	S. STL TOW LINK ASM.
BH4 BH3 CH4	6441853-03	6466113-01	24"	6468092-01	6468082-01
CH3 DH4	6441853-04	6466113-02	28"	6468092-02	6468082-02
DH3 EH4 EH3	6441853-05	6466113-03	32"	6468092-03	6468082-03

STANDARD HEADROOM (ART) & ALL LOW HEADROOM (WELD ON TYPE)

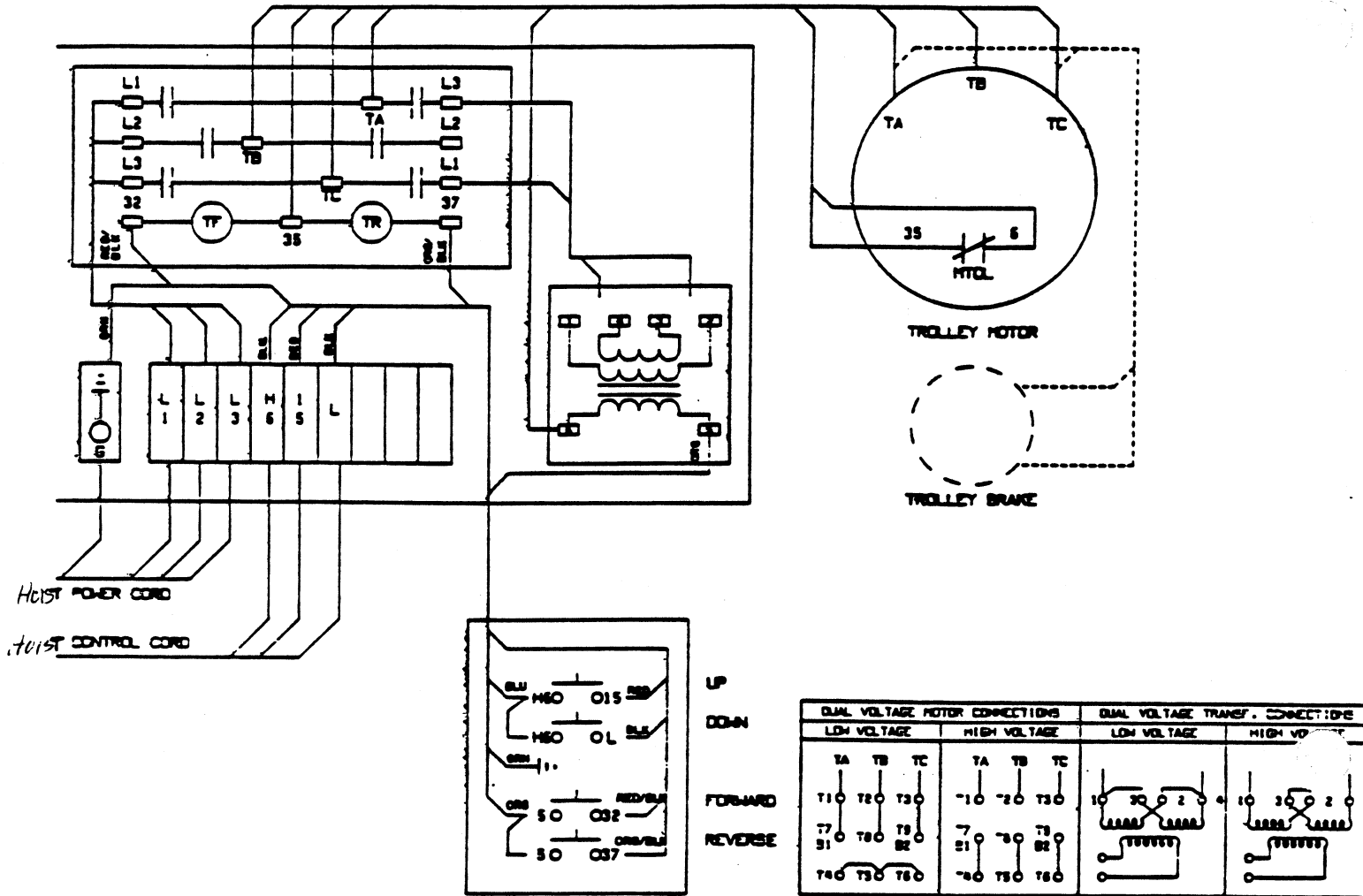
CHASSIS RATING	STANDARD TOW LINK	S. STL TOW LINK	CTR. LINE LENGTH	STD. TOW LINK ASM.	S. STL TOW LINK ASM.
BH4 BH3 CH4	6441853-03	6466113-01	24"	6468072-01	6468062-01
CH3 DH4	6441853-04	6466113-02	28"	6468072-02	6468062-02
DH3 EH4 EH3 FH4	6441853-05	6466113-03	32"	6468072-03	6468062-03

When Replacement Parts Are Needed, Order Only Yale® Factory Engineered Parts

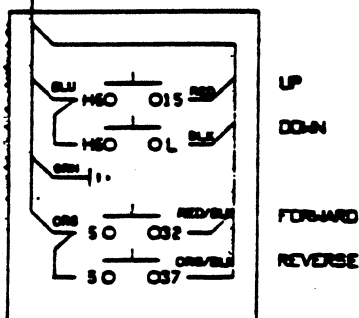
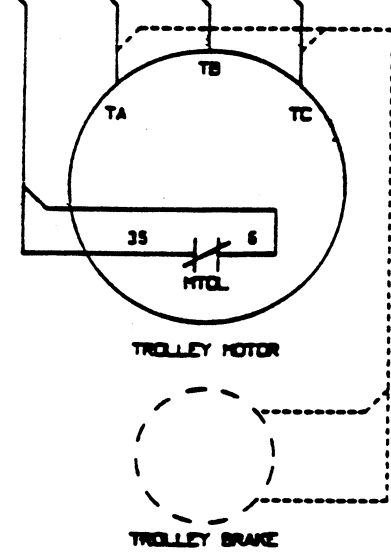
WIRING DIAGRAM

THREE PHASE

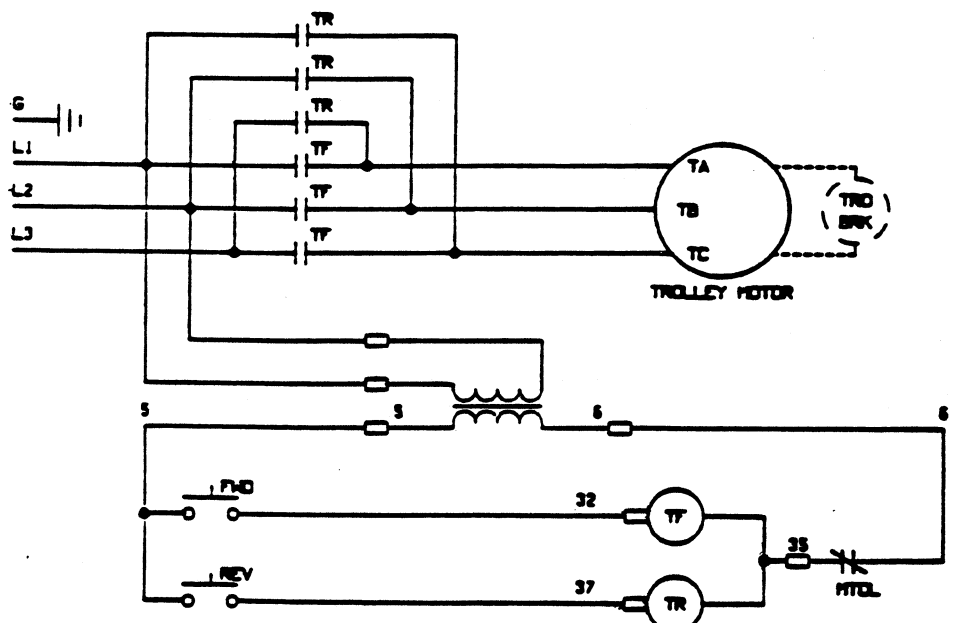
4 BUTTON STATION



Hoist POWER CORD
Hoist CONTROL CORD



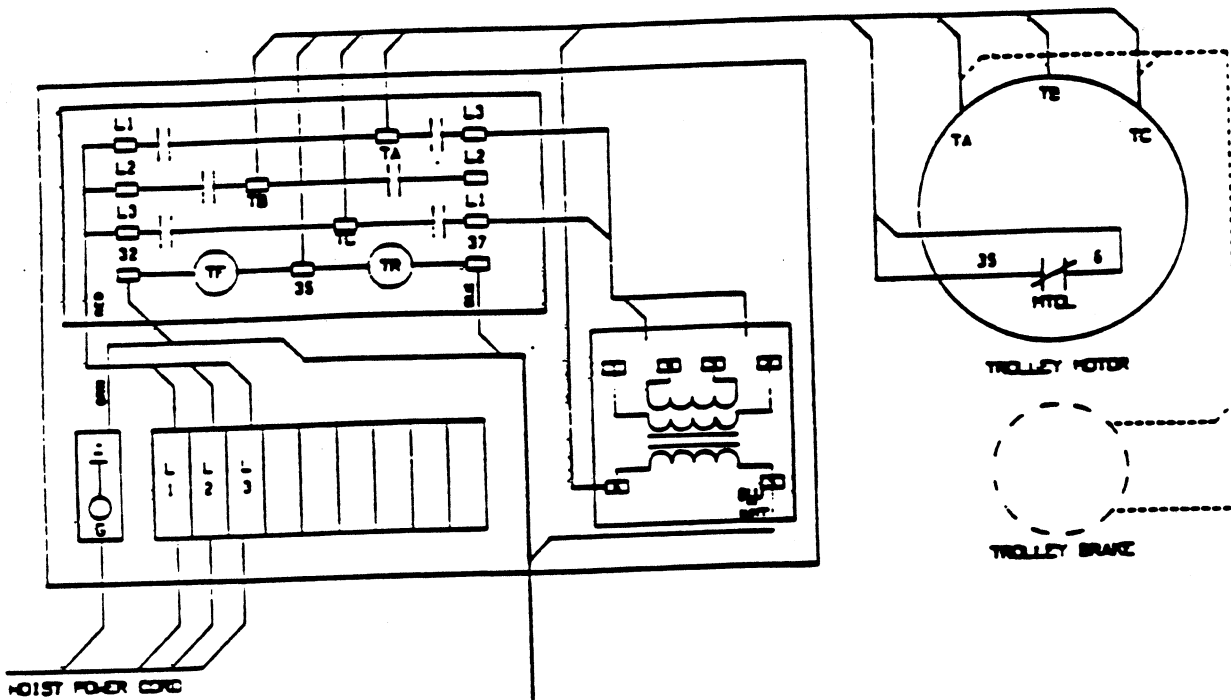
DUAL VOLTAGE MOTOR CONNECTIONS			DUAL VOLTAGE TRANSF. CONNECTIONS		
LOW VOLTAGE			HIGH VOLTAGE		
TA	TB	TC	TA	TB	TC
T1	T2	T3	T1	T2	T3
T7	T8	T9	T7	T8	T9
T4	T5	T6	T4	T5	T6



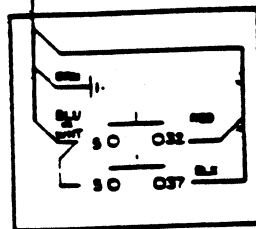
WIRING DIAGRAMS

THREE PHASE

2 BUTTON STATION

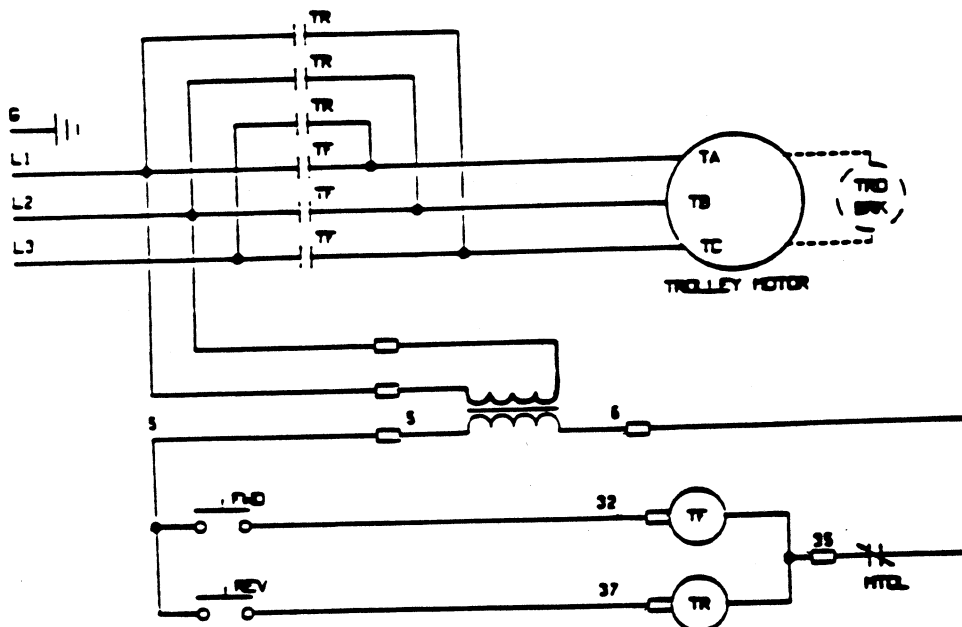


HOIST POWER CIRCUIT



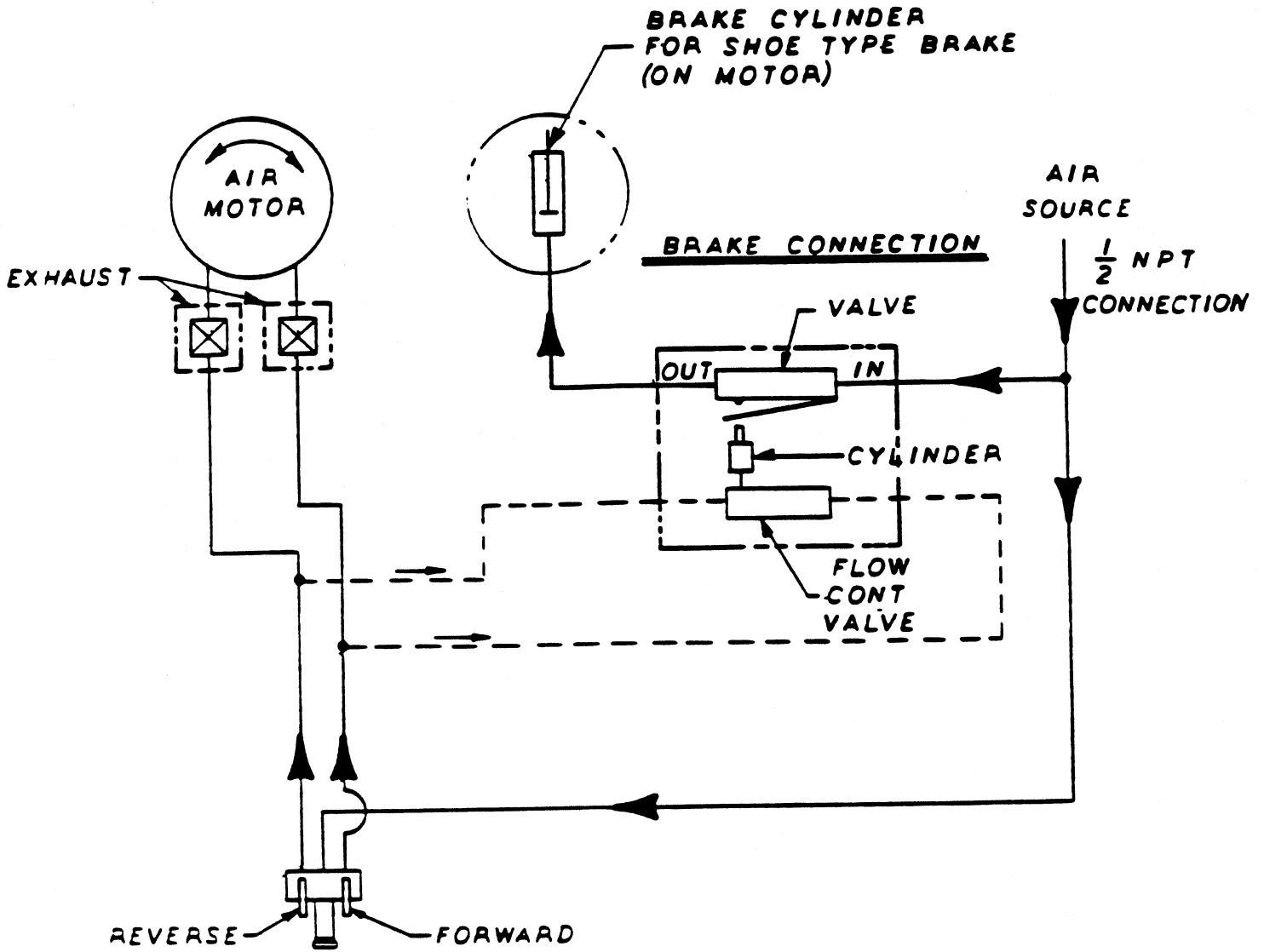
FORWARD
REVERSE

DUAL VOLTAGE MOTOR CONNECTIONS			DUAL VOLTAGE TRANSFORMER CONNECTIONS		
LOW VOLTAGE			HIGH VOLTAGE		
71	72	73	71	72	73
77	78	79	77	78	79
81	82	83	81	82	83
74	75	76	74	75	76



When Replacement Parts Are Needed, Order Only Yale[®] Factory Engineered Parts

AIR FLOW DIAGRAM



When Replacement Parts Are Needed, Order Only Yale® Factory Engineered Parts

POWERED HOIST INSPECTION CHECK LIST

SEE PREVENTIVE MAINTENANCE SECTION OF INSTRUCTION MANUAL FOR DETAILS.

CHECK ONLY COMPONENTS APPLICABLE FOR SPECIFIC EQUIPMENT AND INSPECTION TYPE.

HOIST MODEL _____

HOIST S/N _____

HOOKS	YES	NO	CABLE	YES	NO	CHAINS	YES	NO
HARDWARE LOOSE	<input type="checkbox"/>	<input type="checkbox"/>	BROKEN WIRES AT ENDS	<input type="checkbox"/>	<input type="checkbox"/>	BINDING	<input type="checkbox"/>	<input type="checkbox"/>
CRACKS	<input type="checkbox"/>	<input type="checkbox"/>	BROKEN WIRES EXCESSIVE	<input type="checkbox"/>	<input type="checkbox"/>	CRACKED	<input type="checkbox"/>	<input type="checkbox"/>
EXCESSIVE WEAR	<input type="checkbox"/>	<input type="checkbox"/>	EXCESSIVE WEAR	<input type="checkbox"/>	<input type="checkbox"/>	TWISTED	<input type="checkbox"/>	<input type="checkbox"/>
BENT	<input type="checkbox"/>	<input type="checkbox"/>	KINKED OR DISTORTED	<input type="checkbox"/>	<input type="checkbox"/>	DISTORTED	<input type="checkbox"/>	<input type="checkbox"/>
SPREADING	<input type="checkbox"/>	<input type="checkbox"/>	CORROSION	<input type="checkbox"/>	<input type="checkbox"/>	CORRODED	<input type="checkbox"/>	<input type="checkbox"/>
FREELY ROTATE	<input type="checkbox"/>	<input type="checkbox"/>	HEAT DAMAGED	<input type="checkbox"/>	<input type="checkbox"/>	EXCESSIVE WEAR	<input type="checkbox"/>	<input type="checkbox"/>
LATCH DAMAGED	<input type="checkbox"/>	<input type="checkbox"/>				WORN CHAIN GUIDES	<input type="checkbox"/>	<input type="checkbox"/>
						POCKET WHEELS WORN	<input type="checkbox"/>	<input type="checkbox"/>
BRAKES	YES	NO	WIRING	YES	NO	DRUM & SHEAVES	YES	NO
MOTOR BRAKE WORN OR NOT OPERATING	<input type="checkbox"/>	<input type="checkbox"/>	LOOSE CONNECTIONS	<input type="checkbox"/>	<input type="checkbox"/>	WORN EXCESSIVELY	<input type="checkbox"/>	<input type="checkbox"/>
EXCESSIVE LOADBRAKE DRIFT OR BLACKLASH	<input type="checkbox"/>	<input type="checkbox"/>	FRAYED	<input type="checkbox"/>	<input type="checkbox"/>	CRACKED OR SCORED	<input type="checkbox"/>	<input type="checkbox"/>
EXCESSIVE DISC WEAR	<input type="checkbox"/>	<input type="checkbox"/>	DAMAGED	<input type="checkbox"/>	<input type="checkbox"/>			
			PROPER GROUNDING	<input type="checkbox"/>	<input type="checkbox"/>			
LIMIT SWITCHES	YES	NO	LOAD LIMITING DEVICE	YES	NO	COLLECTORS	YES	NO
OPERATING PROPERLY	<input type="checkbox"/>	<input type="checkbox"/>	OPERATING PROPERLY	<input type="checkbox"/>	<input type="checkbox"/>	BINDING	<input type="checkbox"/>	<input type="checkbox"/>
						EXCESSIVE WEAR	<input type="checkbox"/>	<input type="checkbox"/>
HOIST RUNNING	YES	NO	OPERATION CONTROLS	YES	NO	LUBRICATION	YES	NO
DISTORTED	<input type="checkbox"/>	<input type="checkbox"/>	CONTACTOR PITTING	<input type="checkbox"/>	<input type="checkbox"/>	ALL POINTS LUBRICATED AS GIVEN IN LUB CHART	<input type="checkbox"/>	<input type="checkbox"/>
CRACKS	<input type="checkbox"/>	<input type="checkbox"/>	OPERATING PROPERLY	<input type="checkbox"/>	<input type="checkbox"/>	OIL DARK OR LOW	<input type="checkbox"/>	<input type="checkbox"/>
LOOSE HARDWARE	<input type="checkbox"/>	<input type="checkbox"/>	DAMAGED PUSH BUTTON HOUSING	<input type="checkbox"/>	<input type="checkbox"/>	OIL LEAKS	<input type="checkbox"/>	<input type="checkbox"/>
BEARING NOISE	<input type="checkbox"/>	<input type="checkbox"/>						
SUPPORTING STRUCTURE	YES	NO	AIR SYSTEM	YES	NO	WARNING LABELS	YES	NO
CONTINUED ABILITY TO SUPPORT IMPOSED LOADS	<input type="checkbox"/>	<input type="checkbox"/>	LEAKING	<input type="checkbox"/>	<input type="checkbox"/>	MISSING	<input type="checkbox"/>	<input type="checkbox"/>
WORN OR DISTORTED TROLLEY PARTS	<input type="checkbox"/>	<input type="checkbox"/>	LOOSE CONNECTIONS	<input type="checkbox"/>	<input type="checkbox"/>	ILLEGIBLE	<input type="checkbox"/>	<input type="checkbox"/>
			BROKEN CONTROL PENDANT	<input type="checkbox"/>	<input type="checkbox"/>			

NOTE IF ANY () IS CHECKED DO NOT OPERATE THE HOIST UNTIL REPAIRS HAVE BEEN MADE.

REMARKS AND REPAIRS MADE _____

SIGNATURE _____ DATE _____ CLOCK NUMBER _____

POWERED HOIST INSPECTION CHECK LIST

SEE PREVENTIVE MAINTENANCE SECTION OF INSTRUCTION MANUAL FOR DETAILS.

CHECK ONLY COMPONENTS APPLICABLE FOR SPECIFIC EQUIPMENT AND INSPECTION TYPE.

HOIST MODEL _____

HOIST S/N _____

HOOKS	YES	NO	CABLE	YES	NO	CHAINS	YES	NO
HARDWARE LOOSE	<input type="checkbox"/>	<input type="checkbox"/>	BROKEN WIRES AT ENDS	<input type="checkbox"/>	<input type="checkbox"/>	BINDING	<input type="checkbox"/>	<input type="checkbox"/>
CRACKS	<input type="checkbox"/>	<input type="checkbox"/>	BROKEN WIRES EXCESSIVE	<input type="checkbox"/>	<input type="checkbox"/>	CRACKED	<input type="checkbox"/>	<input type="checkbox"/>
EXCESSIVE WEAR	<input type="checkbox"/>	<input type="checkbox"/>	EXCESSIVE WEAR	<input type="checkbox"/>	<input type="checkbox"/>	TWISTED	<input type="checkbox"/>	<input type="checkbox"/>
BENT	<input type="checkbox"/>	<input type="checkbox"/>	KINKED OR DISTORTED	<input type="checkbox"/>	<input type="checkbox"/>	DISTORTED	<input type="checkbox"/>	<input type="checkbox"/>
SPREADING	<input type="checkbox"/>	<input type="checkbox"/>	CORROSION	<input type="checkbox"/>	<input type="checkbox"/>	CORRODED	<input type="checkbox"/>	<input type="checkbox"/>
FREELY ROTATE	<input type="checkbox"/>	<input type="checkbox"/>	HEAT DAMAGED	<input type="checkbox"/>	<input type="checkbox"/>	EXCESSIVE WEAR	<input type="checkbox"/>	<input type="checkbox"/>
LATCH DAMAGED	<input type="checkbox"/>	<input type="checkbox"/>				WORN CHAIN GUIDES	<input type="checkbox"/>	<input type="checkbox"/>
						POCKET WHEELS WORN	<input type="checkbox"/>	<input type="checkbox"/>
BRAKES			WIRING			DRUM & SHEAVES		
MOTOR BRAKE WORN OR NOT OPERATING	<input type="checkbox"/>	<input type="checkbox"/>	LOOSE CONNECTIONS	<input type="checkbox"/>	<input type="checkbox"/>	WORN EXCESSIVELY	<input type="checkbox"/>	<input type="checkbox"/>
EXCESSIVE LOADBRAKE DRIFT OR BLACKLASH	<input type="checkbox"/>	<input type="checkbox"/>	FRAYED	<input type="checkbox"/>	<input type="checkbox"/>	CRACKED OR SCORED	<input type="checkbox"/>	<input type="checkbox"/>
EXCESSIVE DISC WEAR	<input type="checkbox"/>	<input type="checkbox"/>	DAMAGED	<input type="checkbox"/>	<input type="checkbox"/>			
			PROPER GROUNDING	<input type="checkbox"/>	<input type="checkbox"/>			
LIMIT SWITCHES			LOAD LIMITING DEVICE			COLLECTORS		
OPERATING PROPERLY	<input type="checkbox"/>	<input type="checkbox"/>	OPERATING PROPERLY	<input type="checkbox"/>	<input type="checkbox"/>	BINDING	<input type="checkbox"/>	<input type="checkbox"/>
						EXCESSIVE WEAR	<input type="checkbox"/>	<input type="checkbox"/>
HOUSING			OPERATION CONTROLS			LUBRICATION		
DISTORTED	<input type="checkbox"/>	<input type="checkbox"/>	CONTACTOR PITTING	<input type="checkbox"/>	<input type="checkbox"/>	ALL POINTS LUBRICATED AS GIVEN IN LUB CHART	<input type="checkbox"/>	<input type="checkbox"/>
CRACKS	<input type="checkbox"/>	<input type="checkbox"/>	OPERATING PROPERLY	<input type="checkbox"/>	<input type="checkbox"/>	OIL DARK OR LOW	<input type="checkbox"/>	<input type="checkbox"/>
LOOSE HARDWARE	<input type="checkbox"/>	<input type="checkbox"/>	DAMAGED PUSH BUTTON	<input type="checkbox"/>	<input type="checkbox"/>	OIL LEAKS	<input type="checkbox"/>	<input type="checkbox"/>
BEARING NOISE	<input type="checkbox"/>	<input type="checkbox"/>	HOUSING	<input type="checkbox"/>	<input type="checkbox"/>			
SUPPORTING STRUCTURE			AIR SYSTEM			WARNING LABELS		
CONTINUED ABILITY TO SUPPORT IMPOSED LOADS	<input type="checkbox"/>	<input type="checkbox"/>	LEAKING	<input type="checkbox"/>	<input type="checkbox"/>	MISSING	<input type="checkbox"/>	<input type="checkbox"/>
WORN OR DISTORTED TROLLEY PARTS	<input type="checkbox"/>	<input type="checkbox"/>	LOOSE CONNECTIONS	<input type="checkbox"/>	<input type="checkbox"/>	ILLEGIBLE	<input type="checkbox"/>	<input type="checkbox"/>
			BROKEN CONTROL PENDANT	<input type="checkbox"/>	<input type="checkbox"/>			

NOTE IF ANY () IS CHECKED DO NOT OPERATE THE HOIST UNTIL REPAIRS HAVE BEEN MADE.

REMARKS AND REPAIRS MADE _____

SIGNATURE _____ DATE _____ CLOCK NUMBER _____

Yale®

HOISTS

WARRANTY

Every hoist is thoroughly inspected and tested prior to shipment from the factory. Should any problems develop, return the complete hoist prepaid to your nearest Yale Hoists Authorized Warranty Repair Station.

This warranty does not apply where: (1) deterioration is caused by normal wear, abuse, improper or inadequate power supply, eccentric or side loading, overloading, chemical or abrasive actions, improper maintenance or excessive heat; (2) problems resulted from repairs, modifications or

alterations made by persons other than factory or Yale Hoists personnel; (3) the hoist has been abused or damaged as a result of an accident; (4) repair parts or accessories other than those supplied by Yale Hoists are used on the hoist. Equipment and accessories not of the seller's manufacture are warranted only to the extent that they are warranted by the manufacturer. **EXCEPT AS STATED HEREIN, YALE HOISTS MAKES NO OTHER WARRANTIES, EXPRESS OR IMPLIED, INCLUDING WARRANTIES OF MERCHANTABILITY AND FITNESS FOR A PARTICULAR PURPOSE.**

Improvements:

Yale Hoists is constantly striving to improve its product. Changes in design and improvements will be made whenever manufacturer believes the efficiency of the product will be improved without incurring any obligation to incorporate such improvements in any products which have been shipped or are in service.

Important Notice:

Use of chain, wire rope or replacement parts other than as supplied as original equipment on Yale hoists may lead to dangerous operation. Accordingly, Yale Hoists cannot be responsible in such cases and our warranty will be voided.

For more information, write Yale Hoists, Forrest City, Arkansas 72335.

Yale® HOISTS
3105 N. Washington
P. O. Box 1000
Forrest City, Arkansas 72335
Customer Service (800) 999-6318
FAX (800) 786-0223