

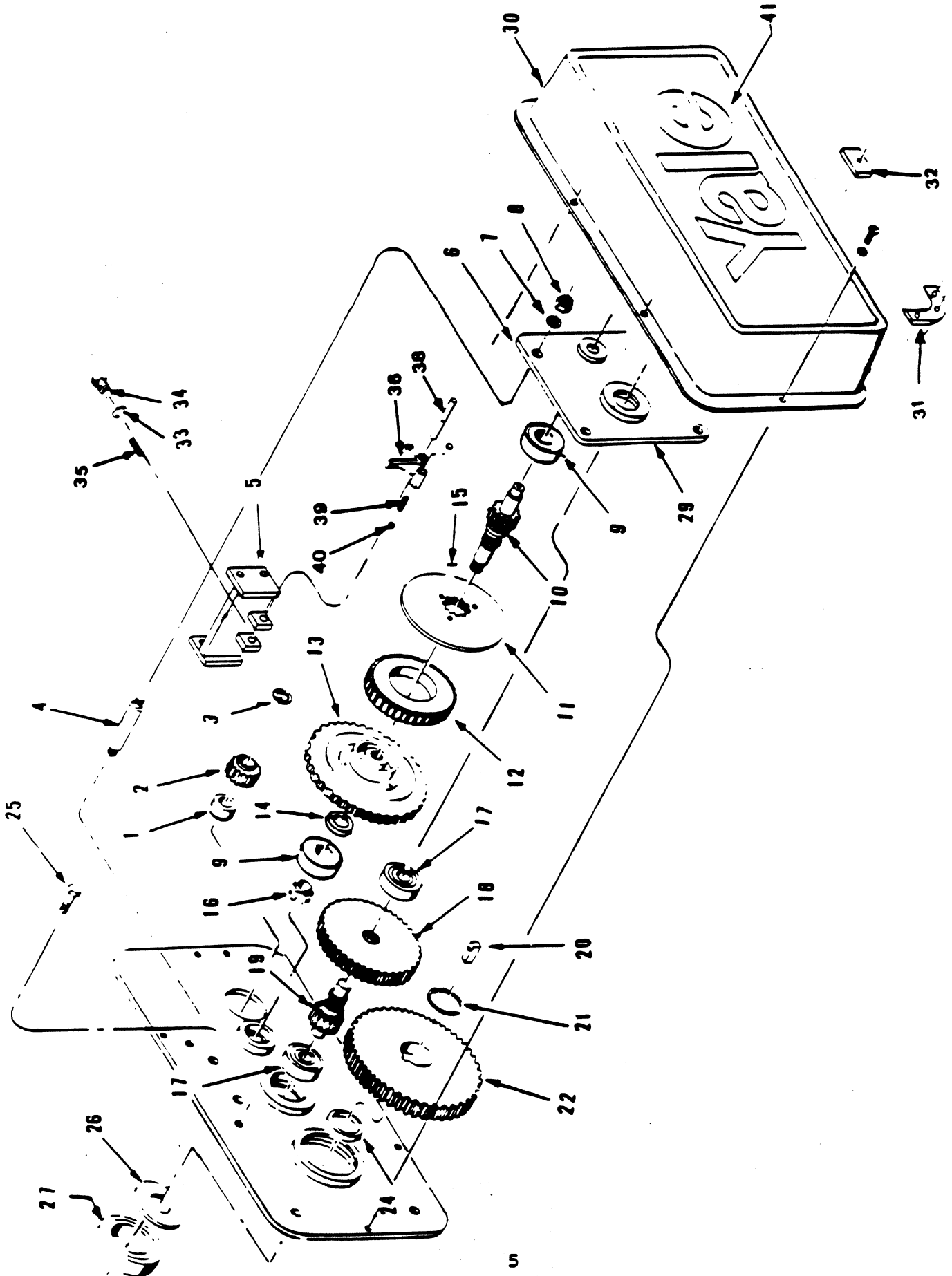
Section
1340

QEW GEAR GROUP

Gear Table

6483812-01 51.7:1		6483812-02 34.1:1
17	6493543-04	6493543-03
18	6461784-02	6461784-01

Item	P/N	Description	Qty.
1	5019729-04	SEAL	1
2	6493403-00	MOTOR PINION	1
3	0159158-00	RETAINING RING	1
4	6491363-00	STAND-OFF	2
5	6493613-00	PAWL BRACKET	1
6	6461294-00	BACKING PLATE	1
7	0150270-00	LOCK WASHER	2
8	0665377-00	NUT	2
9	0151246-00	BEARING	2
10	SEE GEAR TABLE	INT. PINION	1
11	6415293-00	RATCHET DISC	1
12	6415273-00	RATCHET W/LINING	1
13	6418134-00	H.S. GEAR 67T	1
14	6411391-00	SPACER	1
15	0102805-00	COTTER PIN	1
16	0106694-00	HEX NUT	1
17	0220557-00	BEARING	2
18	SEE GEAR TABLE	INT. GEAR	1
19	6461774-00	SS PINION	1
20	6470033-01	KEY	1
21	6401529-01	RET. RING	2
22	6469713-00	SS GEAR	2
24	6461804-00	SEAL	1
25	0596946-00	SCREW MOTOR MTG.	4
26	0151206-00	DRUM BRG (CONTROL END)	1
27	0151275-00	DRUM BRG (GEAR CASE END) SHOWN	1
29	6461294-00	BACKING PLATE	1
30	6497443-00	END COVER	1
31	6495683-00	CORNER STIFFENER	2
32	6495703-00	STIFFENER PLATE	5
33	0104013-00	GASKET PAWL STOP	1
34	6464444-00	PAWL STOP	1
35	0110562-00	SPRING COMP.	1
36	0106820-00	RATCHET PAWL	1
37	6464734-00	SCREW PAWL PIN RETAINER	1
38	6493603-00	PAWL-PIN	1
39	0110567-00	PAWL-SPRING	1
40	0107993-00	PAWL SPRING RETAINER	1
41	0161097-00	PAWL ADJUSTING SHIM	4
42	6495253-02	DECAL	1



When Replacement Parts Are Needed, Order Only Yale® Factory Engineered Parts

REW GEAR GROUP

Section
1340

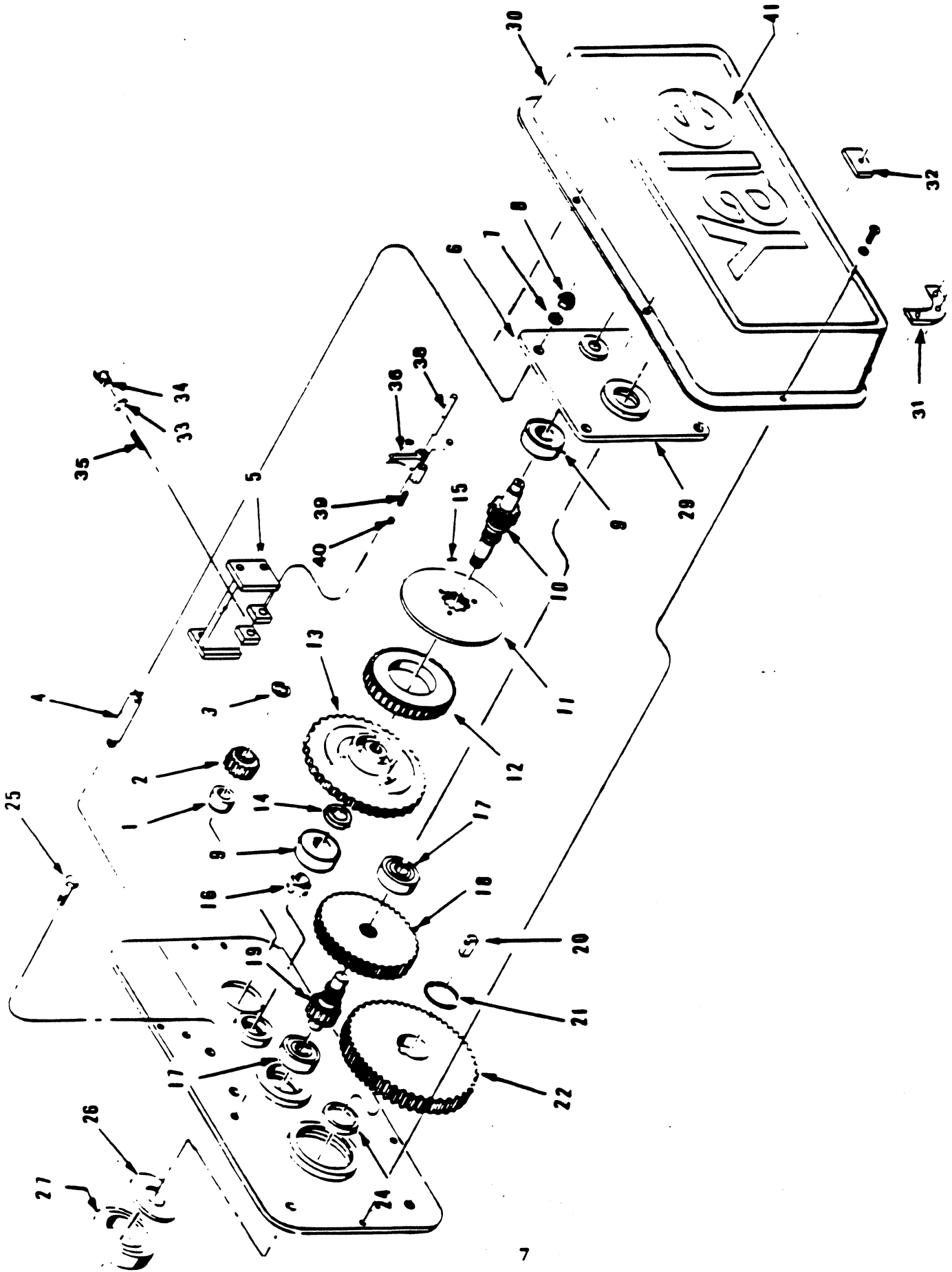
Gear Table

6480502-02 56.1:1 | 6480502-03 44/4:1

10	6493543-02	6493543-03
18	6493263-02	6493263-03

Item	P/N	Description	Qty.
1	5019729-04	SEAL	1
2	6493403-00	MOTOR PINION	1
3	0159158-00	RETAINING RING	1
4	6491363-00	STAND-OFF	1
5	6493613-00	PAWL BRACKET	4
6	6491283-00	BACK PLATE	1
7	0150270-00	LOCK WASHER	1
8	0665377-00	NUT	4
9	0151246-00	BEARING	4
10	See Gear Table 1		
11	6415293-00	INT. PINION	1
12	6415273-00	RATCHET DISC	1
13	6418134-00	RATCHET W/LINING	1
14	6411391-00	H.S. GEAR 67T	1
15	0102805-00	SPACER	1
16	0106694-00	COTTER PIN	1
17	0151294-00	HEX NUT	1
18	See Gear Table		
19	6493473-00	INT. GEAR	1
20	6488144-01	SS PINION	1
21	0533528-00	KEY	1
22	6471183-00	RET. RING	1
24	6400899-03	SS GEAR	2
25	0596946-00	SEAL	1
26	6498253-00	SCREW MOTOR MTG.	4
27	6401629-03	SPACER (CONTROL END)	2
29	6491283-00	DRUM BRG	2
30	6491773-01	BACKING PLATE	1
31A	6495683-00	END COVER	1
32A	6495703-00	CORNER STIFFENER TOP	2
31B	6461494-00	STIFFENER PLATE	5
32B	6461504-00	CORNER STIFFENER BOTTOM	2
33	0104013-00	STIFFENER	1
34	0106849-00	GASKET PAWL STOP	1
35	0110562-00	PAWL STOP	1
36	0106820-00	SPRING COMP.	1
37	6464734-00	RATCHET PAWL	1
38	6493603-00	SCREW PAWL PIN RETAINER	1
39	0110567-00	PAWL-PIN	1
40	0107993-00	PAWL-SPRING	1
41	0161097-00	PAWL SPRING RETAINER	1
42	6495253-02	PAWL ADJUSTING SHIM	4
		DECAL	1

PAT. 001



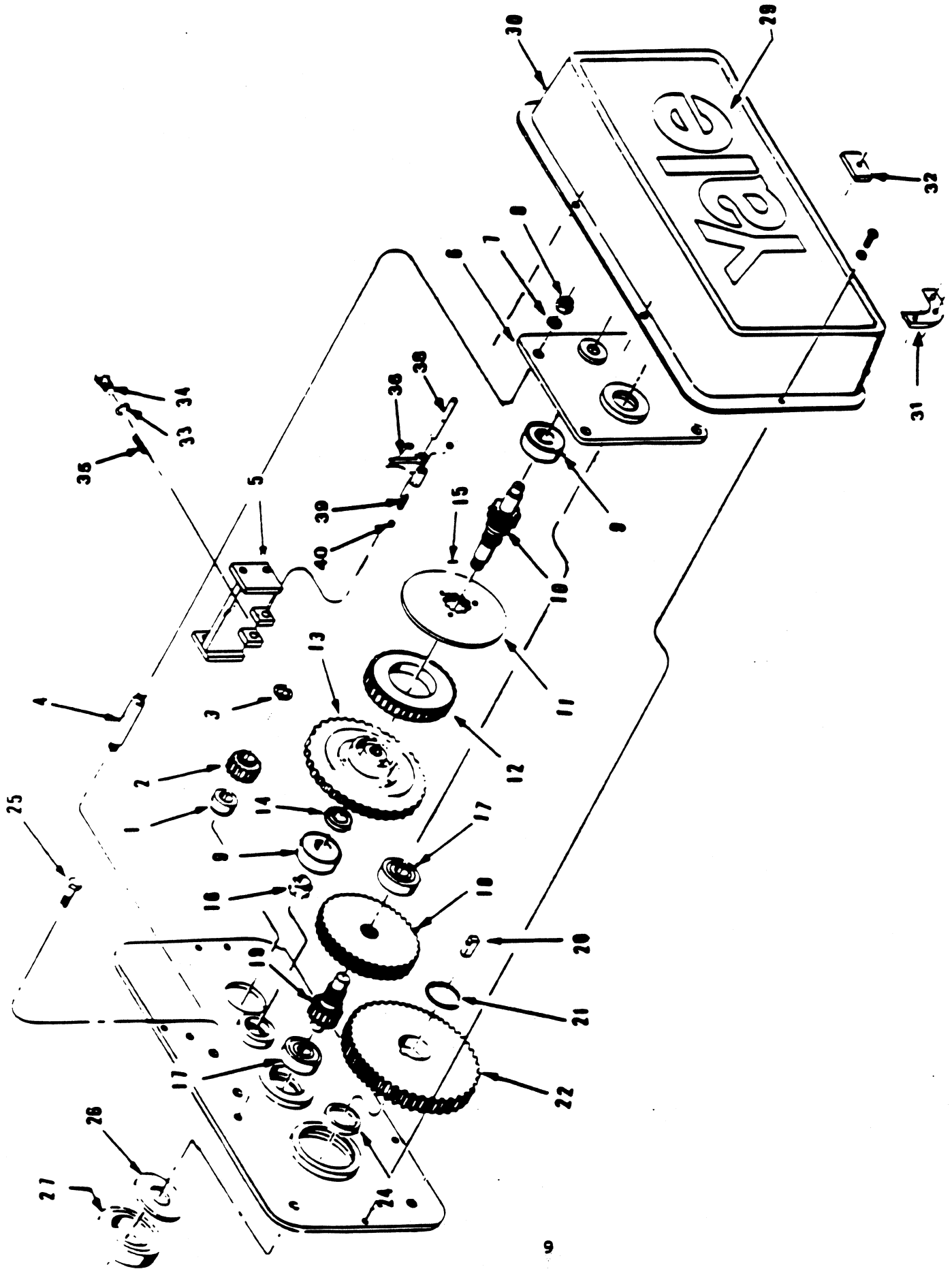
When Replacement Parts Are Needed, Order Only Yale's Factory Engineered Parts

SEW GEAR GROUP

Gear Table

6480852-01 58.4:1		6480852-02 89.4:1	
10	6494383-01	6494383-02	
18	6475103-01	6475103-02	

Item	P/N	Description	Qty.
1	6445001-00	SPACER	
2	6494603-00	PINION	1
3	0159163-00	RETAINER RING	1
4	6494113-00	STAND OFF	1
5	6494633-00	PAWL BRKT.	4
6	6494463-00	BACK PLATE	1
7	0401010-00	L/WASHER	1
8	0149697-00	NUT, VAM 1 1/4-12	4
9	0545861-00	BEARING	4
10	See Gr. Table		2
11	6419514-00	RATCHET DISC 12 SPC.	
12	6416643-00	RATCHET W/LINING	1
13	6439834-00	H S GEAR	1
14	6411161-00	SPACER	1
15	0154219-00	COTTER PIN	1
16	0106712-00	NUT, HEX CASTLE	1
17	6421761-00	BEARING	1
18	See Gr. Table		2
19	6494613-00	2ND. INT. PINION	
20	6470033-02	KEY	1
21	5001869-07	RET. RING	1
22	6475113-00	SS GEAR	2
24	0116136-00	SEAL	1
25	0596946-00	SCREW	1
26	6498303-00	SHIM (CONTROL END)	4
27	5025079-02	DRUM BRG.	2
28	6472053-06	SPACER	2
29	6460016-00	DECAL	1
30	6495223-00	COVER GR. END	2
31A	6495683-00	CORNER STIFFENER TOP	1
32A	6495703-00	STIFFENER PLATE	2
31B	6461494-00	CORNER STIFFENER BOTTOM	9
32B	6461514-00	STIFFENER PLATE	2
33	0104013-00	GASKET PAWL STOP	1
34	0106849-00	PAWL STOP	1
25	0110562-00	SPRING COMP.	1
36	0106818-00	RATCHET PAWL	1
38	0106877-00	PAWL PIN	1
39	0110553-00	SPRING COMP.	1
40	0107989-00	PAWL SPRING RET.	1

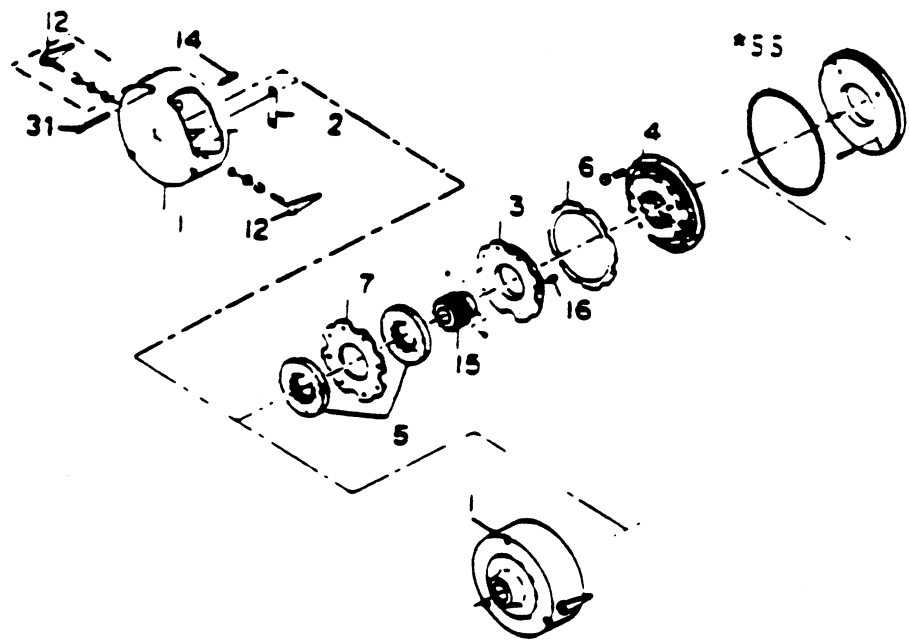


When Replacement Parts Are Needed, Order Only Yale® Factory Engineered Parts

Yale Hoisting Equipment

SECTION 13.
MOTOR BRAKE

REPAIR PARTS



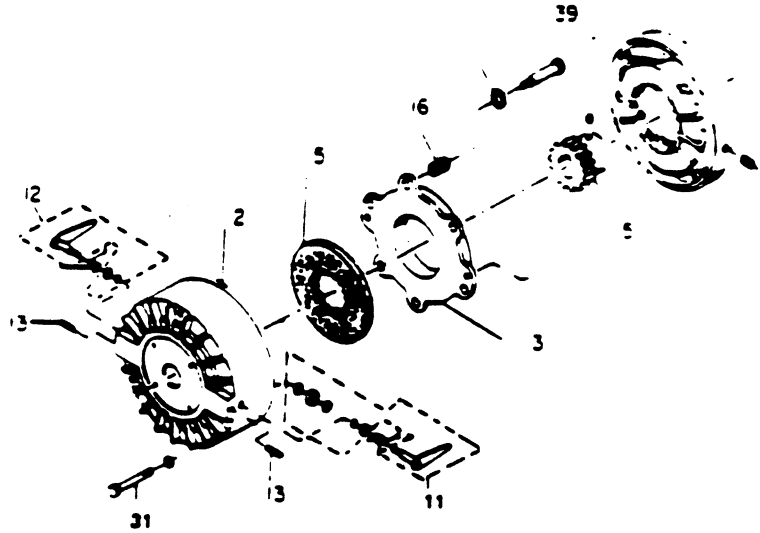
REULAND MOTOR BRAKE 25 FT. LB

ITEM NUMBER	PART NUMBER	DESCRIPTION	QTY.
55	648939301	GASKET	1
1	648939302	HOUSING	1
2	648939303	BRAKE SHIM	4
3	648939304	ARMATURE ASM.	1
4	648939305	STATOR 200V	1
	648939306	STATOR 230/400V	1
	648939307	STATOR 575V	1
5	648939308	FRICTION DISC	2
6	648939309	COMPRESSION PLATE	1
7	648939310	BRAKE PLATE	1
12	648939313	MANUAL RELEASE SPRING ASM. **	2
14	648939314	GUIDE PIN	8
15		BRAKE HUB	
	648939315	.750 BORE	
	648939316	.875 BORE	
	648939317	1.125 BORE	
	648939318	1.375 BORE	
	648939319	1.625 BORE	
16	648939320	TORQUE SPRING	
		3 HP 15 FT. LB.	4
		5 HP 25 FT. LB.	6
31	648939321	HOUSING COVER BOLT	3

* AS REQUIRED
** SPECIFY LEFT OR RIGHT

When Replacement Parts Are Needed, Order Only Yale® Factory Engineered Parts

REPAIR PARTS



REULAND MOTOR BRAKE 50/75 FT. LB

ITEM NUMBER	PART NUMBER	DESCRIPTION	QTY
2	648940301	BRAKE HOUSING	1
3	648940302	ARMATURE ASM.	1
4	648940303	STATOR 200V)	
	648940304	STATOR 230/400V) SELECT 1	
	648940306	STATOR 575)	
5	648940308	FRICITION DISC	1
11	648940309	MANNUAL RELEASE SPRING ASM. LEFT	1
12	648940310	MANUAL RELEASE SPRING ASM. RIGHT	1
13	648940311	STOP PIN	1
15	648940312	BRAKE HUB	1
	648940313	1.375 BORE	
	648940314	1.625 BORE	
	648940315	1.875 BORE	
16	648940316	TORQUE SPRING 25 FT. LB. BRAKE	4
31	648940316	HOUSING COVER BOLT	6
39	648940317	SHOULDER BOLT	3
			6

When Replacement Parts Are Needed, Order Only Yale® Factory Engineered Parts



Yale Hoisting Equipment

SECTION 1301
MOTOR BRAKE

HUB LOCATION DIMENSIONS

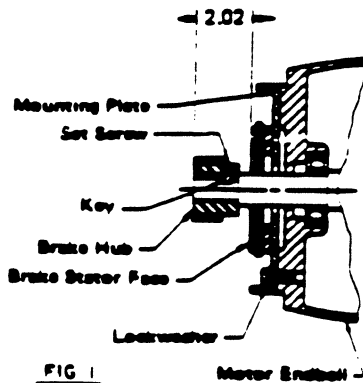


FIG 1

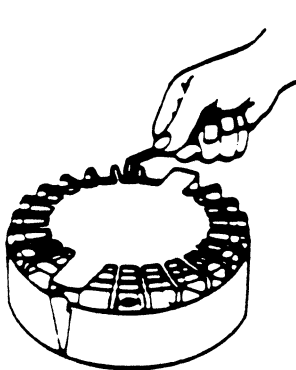
MAINTENANCE INSTRUCTIONS

The Stator-Armature air gap is factory set and requires no resetting, even when installing a new friction disc. However, as with any electro-mechanical device periodic inspection will insure optimum performance. Recommended inspection procedure is as follows:

1. Inspect brake disc every 3,000 cycles. The disc should be replaced when worn to .475" thickness.
2. Inspect brake disc for general condition, and signs of unusual wear remove any build-up of wear particles.
3. Inspect all bolts, hub set screws, etc. for tightness.

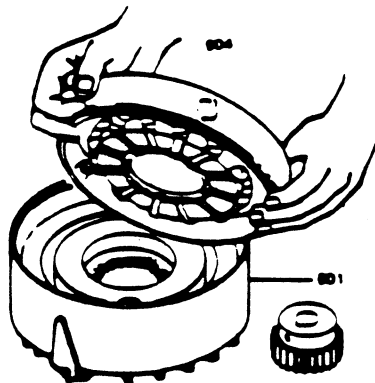
WARNING

Brake failure may be caused by improper application and/or lack of maintenance. Additional means shall be provided to insure safety of personnel if injury could be caused by brake failure. Do not energize brake with cover assembly removed. Wound stator can be damaged, voiding warranty.



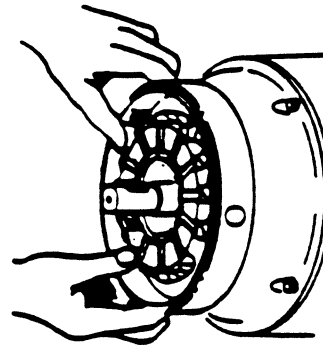
STEP 1

Remove three brake housing cover bolts (931) from cover.



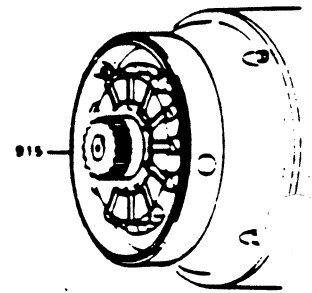
STEP 2

Brake now comes apart in two assemblies. Stator assembly (904) and Brake housing assembly (901).



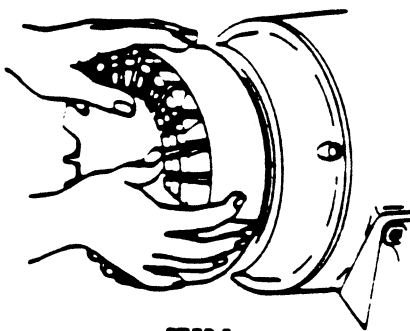
STEP 3

Align brake lead hole in stator assembly with corresponding hole in motor and lead brake leads into motor. Mount stator assembly to motor, using care to insure the "lining up" of diameter of stator assembly with the register on motor endbell for proper fit of housing assembly. Use mounting bolts to secure stator assembly in place.



STEP 4

Position brake hub (915) on motor shaft (see Fig. 1 for installation location). Tighten set screws.



STEP 5

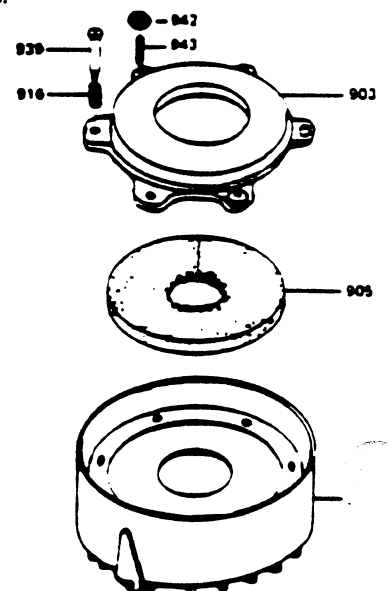
Using care to insure proper mating of hub to line and brake lining disc, secure housing assembly to stator assembly. If housing assembly fails to align easily with register of motor endbell, releasing of brake release levers momentarily will allow centering of brake disc and alignment of fit. Secure with brake housing cover bolts furnished, and return release levers to normal position.

STEP 6

Friction Disc Renewal - Remove power from system. Now follow the steps one and two. Then proceed to remove all six shoulder bolts (939) from the brake housing assembly.

NOTE The location of each torque spring (916). Do not remove the two elastic stop nuts (942). These are factory set to regulate rotor lift height. Armature can be removed without removing elastic stop nuts. Lift out the armature assembly (903) from the brake housing. The friction disc (906) is now accessible for removal and replacement.

Visually check all parts for foreign material. Insert new friction disc into brake housing, making sure it is located in approximately the center and reassemble the armature assembly, torque springs and shoulder bolts into their original positions. Then tighten to 35 ft. lb. with torque wrench.

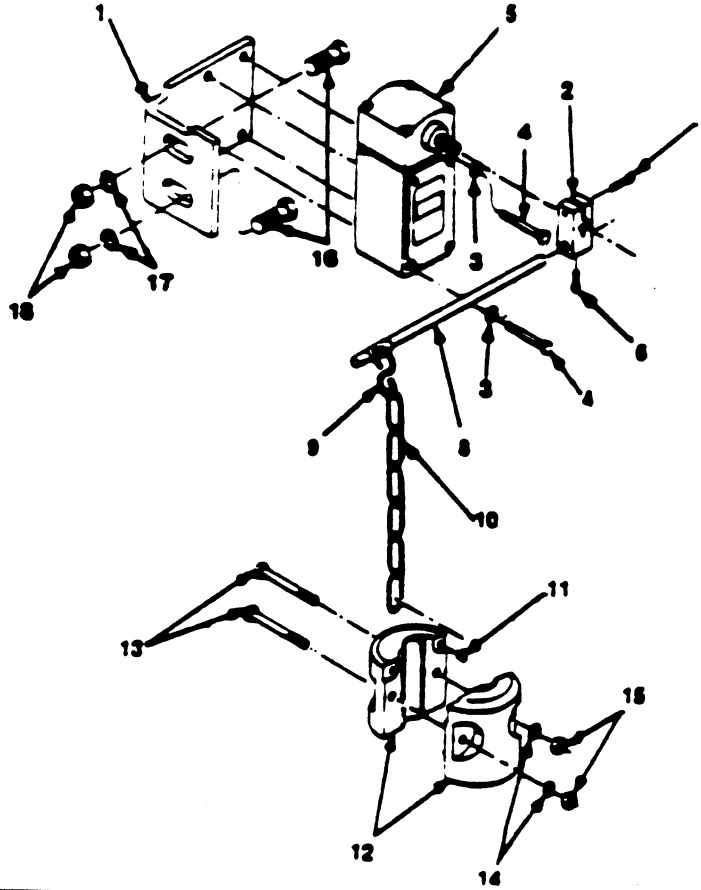


Yale Hoisting Equipment

UPPER PLUGGING L/S

SECTION 1412

REPAIR PARTS



ITEM	PART NO.	DESCRIPTION	QTY
2	6467791-00	HUB.....	1
3	0150285-00	LOCKWASHER NO. 10.....	2
4	0148768-00	R.H. SCREW 10-32.....	2
5	SEE PART LIST	LIMIT SWITCH.....	1
6	0658254-00	SOCKET SCREW 10-32 X 3/8....	1
7	0858255-00	SOCKET SCREW 10-32 X 5/8....	1
8		1/4 ALUMINUM L.S. ROD.....	1
9	0591497-00 **	S HOOK.....	1
10	6450221-79 **	CONTROL CHAIN.....	**
11	0105760-00 **	L.S. WEIGHT PIN.....	2
12	6495351-00 **	L.S. WEIGHT.....	2
13	0109484-00 **	R.H. SCREW 1/4-20 X 1 3/4....	2
14	0150308-00 **	LOCKWASHER 1/4 IN.....	2
15	0149707-00 **	JAM NUT 1/4 - 20.....	2

**SPECIFY LENGTH
**WEIGHT TYPE LIMIT SWITCH ONLY

PAT-004

AUGUST 1987

SECTION 1420 / 30

LIMIT SWITCH

EW SERIES - ALL CHASSIS GEARED LIMIT SWITCH STANDARD AND EXPLOSION PROOF UNITS

ADJUSTMENT

The limit switch cams are set at the factory for maximum lift. If re-adjustment is necessary, the following procedure should be followed.



WARNING! If equipment is located in a hazardous area, be sure power is off before opening cover.

1. Remove limit switch cover.
2. Loosen the two cam clamping screws one half turn each.
3. Locate the adjusting pinion for the cam which requires re-adjustment by referring to the arrow on the contact unit insulator.
4. Depress pinion with a screwdriver to engage gears. Rotate the cam to the desired setting. The white mark on the gear teeth is directly over the cam lobe that trips the switch.
5. Tighten the cam clamping screws and replace the limit switch cover.

MAINTENANCE

LUBRICATION

The limit switch has been permanently lubricated at the factory. An increase in life may be obtained by occasionally placing a small amount of gear grease on the worm and worm gear.

CONTACT UNIT REPLACEMENT

If a contact unit should require replacement, the following procedure should be followed to ensure proper operation of the limit switch.



WARNING! If equipment is located in a hazardous area, be sure power is off before opening cover.

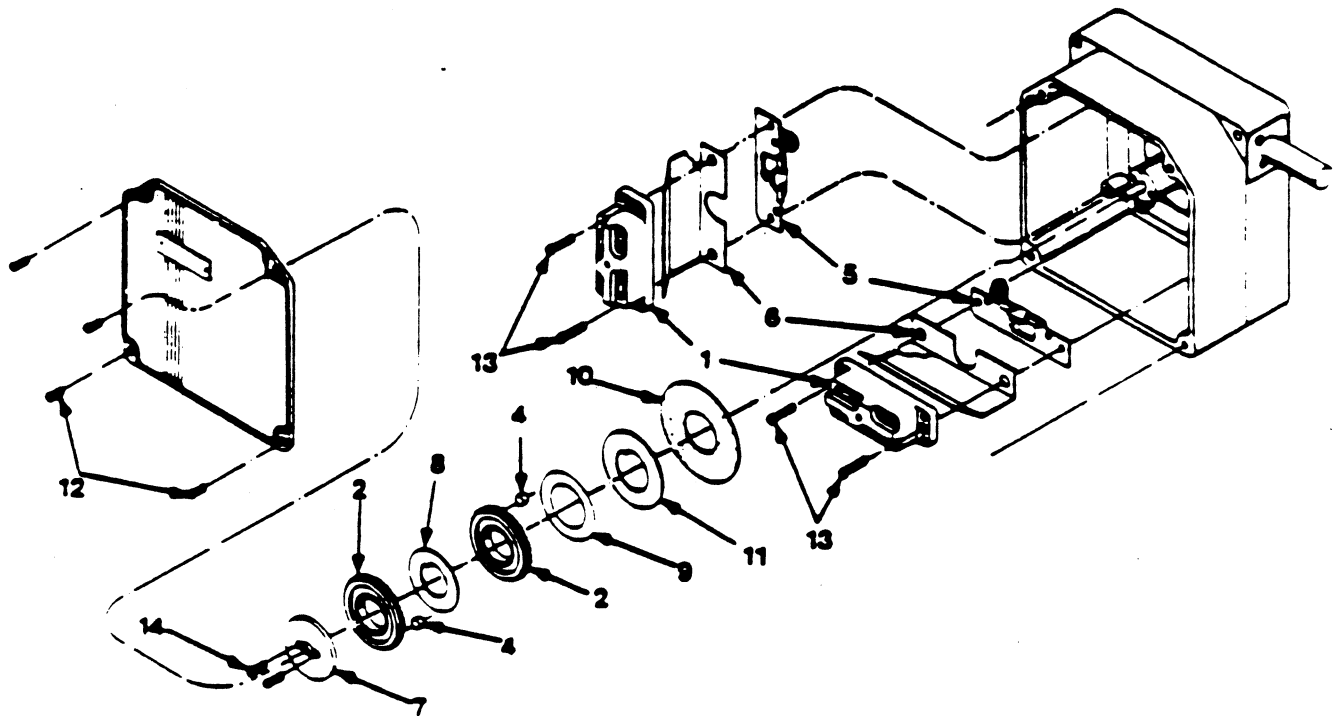
1. Remove the limit switch cover.
2. Remove the defective contact unit.
3. Turn the cam so that the cam lobe is away from the cam follower.
4. Install the new contact unit and the insulator, pushing the bracket toward the center post as far as possible.
5. Tighten both mounting screws.
6. Loosen both mounting screws one half turn.
7. Loosen the cam clamping screws one half turn each.
8. Using the adjusting pinion, rotate the cam lobe past the cam follower. This will push the bracket into the proper position.
9. Re-tighten the contact unit mounting screws.
10. Re-adjust cam by following the instructions given under ADJUSTMENT.

Yale Hoisting Equipment

SECTION 142313
LIMIT SWITCH

EW SERIES- ALL CHASSIS ELECTRIC HOIST
GEARED LIMIT SWITCH STANDARD & EXPLOSION PROOF UNITS

6432652 _____
6432662 _____
6432672 _____
6432682 _____
6432692 _____



ITEM	PART NO.	DESCRIPTION	QTY
1	6492221-01	CONTACT UNIT (1 NO - 1 NC)	▼
	6492221-02	CONTACT UNIT (1 NC)	▼
2	6492221-03	CAM (STANDARD)	▼
	6492221-04	CAM (45° DWELL)	▼
4	6492221-05	ROLLER FOR CAM	▼
5	6492221-06	PINION AND BRACKET	▼
6	6492221-07	INSULATOR	▼
7	6492221-08	CLAMPING PLATE	1
8	6492221-09	SPACER WASHER	▼
9	6492221-10	SPRING WASHER	1
10	6492221-11	CLUTCH DISC	1
11	6492221-12	RETAINER WASHER	1
12	.	COVER SCREW NO. 6 - 32 X 3/8	
13	.	CONTACT MOUNTING SCREW NO. 6 - 32 X 5/8 SEMS	
14	.	CAM CLAMPING SCREW NO. 6 - 32 X 3/8 SEMS	

▼ QUANTITY AS REQUIRED.

• STANDARD HARDWARE ITEMS - OBTAIN LOCALLY

YE 0523
FORM NO. 165-908-039

When Replacement Parts Are Needed, Order Only Yale® Factory Engineered Parts

REV JULY 1983

EW SERIES

Yale Hoisting Equipment

REPAIR PARTS

When Replacement Parts Are Needed, Order Only Yale® Factory Engineered Parts

Yale Hoisting Equipment

REPAIR PARTS AND Adjustment Of Limit Switches

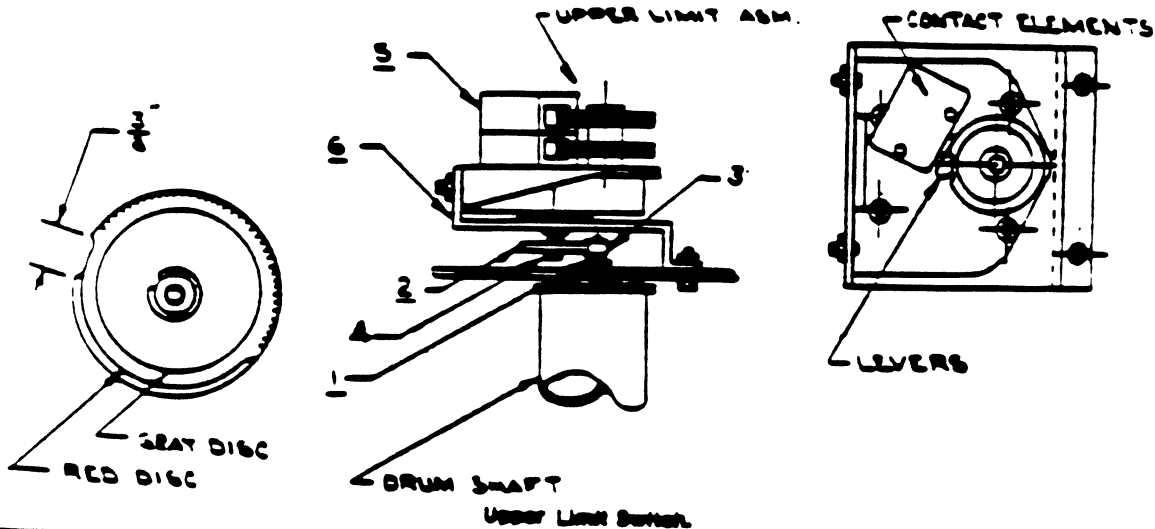
1. UPPER AND LOWER LIMIT SWITCH.

WARNING EACH STEP OUTLINED BELOW MUST BE FOLLOWED FOR PROTECTION AGAINST ELECTRICAL SHOCK AND INJURY FROM MOVING COMPONENTS.

To adjust the traveling nut limit switches, or to set them at other levels:

- (a) Remove all electrical power from the hoist.
- (b) Remove control cover.
- (c) Adjustment discs rotate in a clockwise direction when hoist is lifting and in a counter-clockwise direction when lowering.
- (d) For upper limit switch, move the external adjusting disc.
- (e) For lower limit switch, move the internal adjusting disc.
- (f) Each disc includes two movable sectors independent from each other (one red and one grey).
- (g) Move each of the two red and grey discs in the desired direction keeping a gap of 3/8" between the discs.

WARNING AT LEAST 1 WRAP OF ROPE MUST REMAIN ON THE DRUM IN THE LOWEST POSITION.



ITEM	1 LIFT P/N	2 LIFT P/N	DESCRIPTION	1 LIFT QTY	2 LIFT QTY
	6481732 01	6481732 02	LIMIT SW. ASM. INCLUDES ITEM 1-6	1	1
1	6496303 00	6496303 00	PINION SHAFT	1	1
2	—————	6496363 00	PINION 21T.	—————	1
3	6496343 00	—————	PINION 14T.	2	1
4	6496373 00	6496373 00	PINION ASM.	1	1
5	6473653 01	6473653 01	LIMIT SWITCH	1	1
6	6496323 00	6496323 00	MTG. BRACKET	1	1

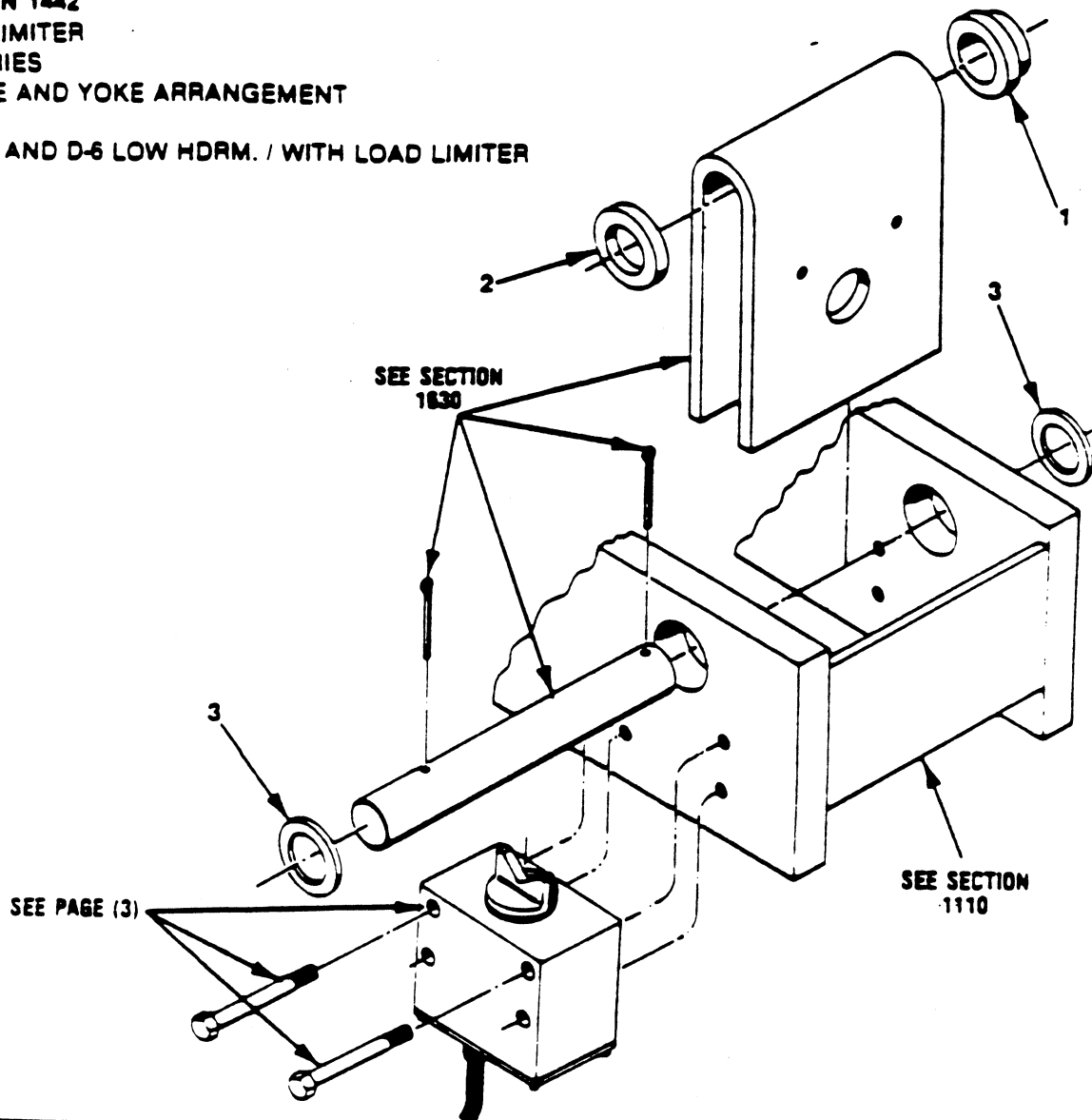
When Replacement Parts Are Needed, Order Only Yale® Factory Engineered Parts

AUGUST 1987

EW SERIES-P

**SECTION 1442
LOAD LIMITER
EW SERIES
SHEAVE AND YOKE ARRANGEMENT**

D-2, D-4 AND D-6 LOW HDRM. / WITH LOAD LIMITER



ROPE DIA. & REEVING	ITEM 1 SPACER	ITEM 2 PLAIN SPACER	ITEM 3 WASHER	QTY
1/4-5/16 D2-D4	6480911-05	6446283-13	6425151-08	2
5/16-3/8 D4	6428541-08	N/R	6425151-08	4
1/4-3/8 D2-D4	6428541-08	N/R	6425151-08	4
3/8-7/16 D2-D4	6428541-05	N/R	0236284-00	4
7/16-1/2 D2-D4	6428541-05	N/R	0236284-00	4
1/2-9/16 D2-D4	6446283-20	N/R	6421751-07	2
7/16-1/2 D6	6421741-05	N/R	6421751-08	2

N/R - NOT REQUIRED

FORM NO. 185-808-034-1

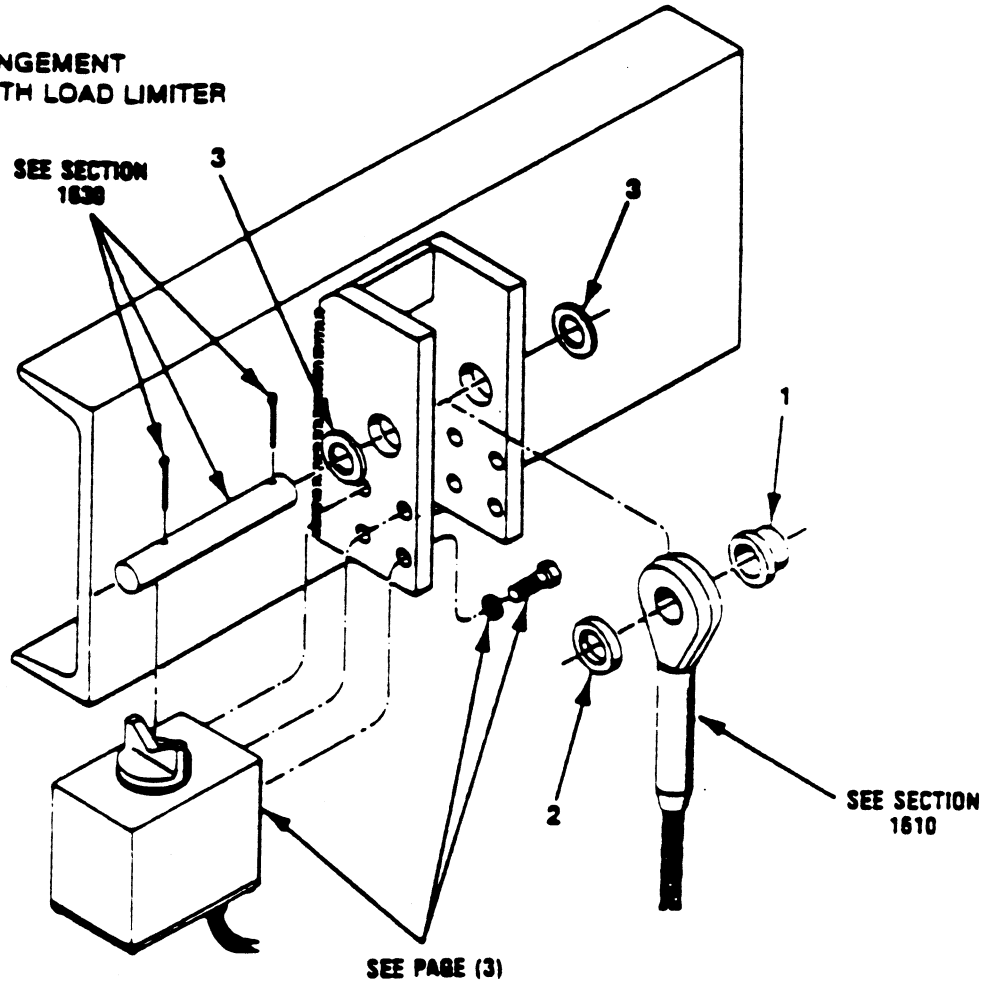
When Replacement Parts Are Needed, Order Only Yale® Factory Engineered Parts

JUNE 1983

Yale Hoisting Equipment

SECTION 144: LOAD LIMITER

EW SERIES
DEAD END ROPE ARRANGEMENT
S2 - S4 STD. HORM. / WITH LOAD LIMITER



ROPE DIA	ITEM 1 SHOULDER SPACER	ITEM 2 PLAIN SPACER	ITEM 3 WASHER
4	648743101	644486103	016110900
5.16	648743102	642448108	016111200
3/8	648743103	642448107	
1.16	648743102	↓	↓
1.2	648743102		
5/8	648743104	644628316	053581900
3/4	648743105	644628317	016120100

FORM NO. 165-908-034

When Replacement Parts Are Needed, Order Only Yale® Factory Engineered Parts

APRIL 1984

EW SERIES

**SECTION 1442
LOAD LIMITER**

COMMON PARTS			
ITEM	PART NO.	DESCRIPTION	QTY.
1	SEE TABLE	HOUSING (SIDE MOUNT)	1
	SEE TABLE	HOUSING (END MOUNT)	1
2	6483721-00	PLUNGER	1
3	6483731-00	ADJUSTING BLOCK	1
4	6483701-00	COVER (LIMIT SWITCH)	1
5	6453923-00	BRACKET (SWITCH)	1
6	6454013-00	MOUNTING BRACKET	1
7	6483681-00	ADJUSTING SCREW	1
8	6483671-00	CLEVIS PIN	1
9	6402478-17	BELLEVILLE SPRING	•
10	6484161-02	THRUST WASHER (1.56 O.D.)	1
11	6484161-01	THRUST WASHER (2.062 O.D.)	1
12	0128244-00	"O" RING	1
13	0167773-00	SPRING	1
14	0148633-00	SCREW (COVER)	4
15	0114108-00	LOCKWASHER (CAD. PLATED)	4
16	0148615-00	SCREW (MTG. BRACKET)	1
17	0114099-00	LOCKWASHER (SHAKEPROOF)	1
18	0149360-00	NUT (MTG. BRACKET)	1
19	0210676-00	ROUND HEAD SCREW	1
20	0211973-00	HEX NUT	1
21	6484141-00	MICRO SWITCH	1
22	0102775-00	COTTER PIN	1
23	0149393-00	HEX NUT (ADJUSTING SCREW)	1
24	0150266-00	LOCKWASHER, 1/2 MED. (NOT SHOWN)	4
25	2031527-00	SCREW, 1/2 - 13 (NOT SHOWN) LOW HEADROOM	AR**
	0554850-00	SCREW, 1/2 - 13 (NOT SHOWN) STD. HEADROOM	4
26	0515453-00	LOCKWASHER, SHAKEPROOF	1

* SEE TABLE FOR QUANTITY REQUIRED.
**AR AS REQUIRED FOR FRAME MTG. BRACKET.

LOAD LIMITER ASSEMBLY NUMBER	TYPE OR MOUNT	HOUSING ITEM 1	BELLEVILLE SPRING ITEM 9 QUANTITY
6448482-01	SIDE MOUNT OR LOW HEADROOM	6483741-00	1
6448482-02	SIDE MOUNT OR LOW HEADROOM	6483741-00	2
6448482-03	END MOUNT OR STD. HEADROOM	6483751-00	1
6448482-04	END MOUNT OR STD. HEADROOM	6483751-00	2

FORM NO. 165-908-034-4

When Replacement Parts Are Needed, Order Only Yale® Factory Engineered Parts
JUNE 1983 4 EW SERIES

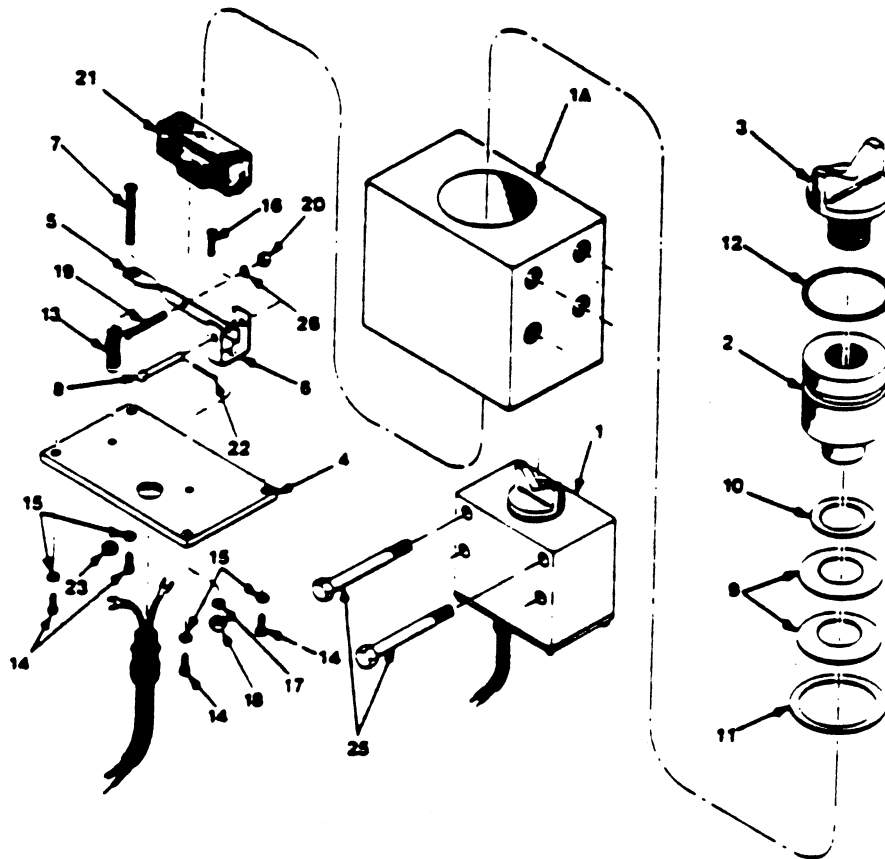
IMPORTANT
SELECT COMPONENT ASSEMBLY
NUMBER FROM PARTS LIST IN FRONT
COVER BEFORE SELECTING
REPLACEMENT ITEM NUMBER

EW SERIES

OVERLOAD LIMIT SWITCH

LIMIT SWITCH ASSEMBLIES NUMBERS

- 6448482-01 (LOW HEADROOM) 1/2 - 7 1/2 TON - D2, 3 - 15 TON - D4, 20 TON - D6
- 6448482-02 (LOW HEADROOM) 10 - 15 TON - D2, 20 - 25 TON - D4, 25 - 35 TON - D6
- 6448482-03 (STANDARD HEADROOM) 1/2 - 7 1/2 TON - S2, 3 - 15 TON - S4
- 6448482-04 (STANDARD HEADROOM) 10 - 15 TON - S2, 20 - 25 TON - S4



To Calibrate the Load Limiter Switch:

1. Attach load to hook which meets the minimum desired weight limit above established limit of maximum hoisting performance.
2. Suspend the load approximately 1/2 - 1" above normal load surface.
3. Turn main power supply "OFF"
4. Refer to wiring diagram WDX□XX for your equipment that the fifth digit must be 1, or 3, or 4 or 7
5. Loosen hex jam nut on slotted adjusting screw and turn adjusting screw "CLOCKWISE" until ohm meter verifies continuity between terminals 1 and 7.
6. While maintaining the position of the adjusting screw, tighten the hex jam nut to lock the screw in place.
7. Turn main power supply "ON" and lower the test load to normal load surface.
8. Try to raise the load; if load is raised beyond your specified limits, repeat steps 2 through 6.

STANDARD HEADROOM & LOW HEADROOM ASM SAME EXCEPT FOR HOUSING MOUNTING HOLES

FORM NO. 105 30-

When Replacement Parts Are Needed, Order Only Yale Factory Engineered Parts

DETERMINE WIRE ROPE DIAMETER

SEE PARTS LIST IN FRONT COVER FOR WIRE ROPE ASM NUMBER

EXAMPLE

TYPICAL ROPE DESCRIPTION

DESCRIPTION	COMPONENT	SEC.
ROPE ASM 31 S060-S6X19-053	644728201	1610

ROPE DIAMETER
31 — 5/16 in. NOMINAL

NOTE 31 DESIGNATES NOMINAL ROPE DIAMETER.

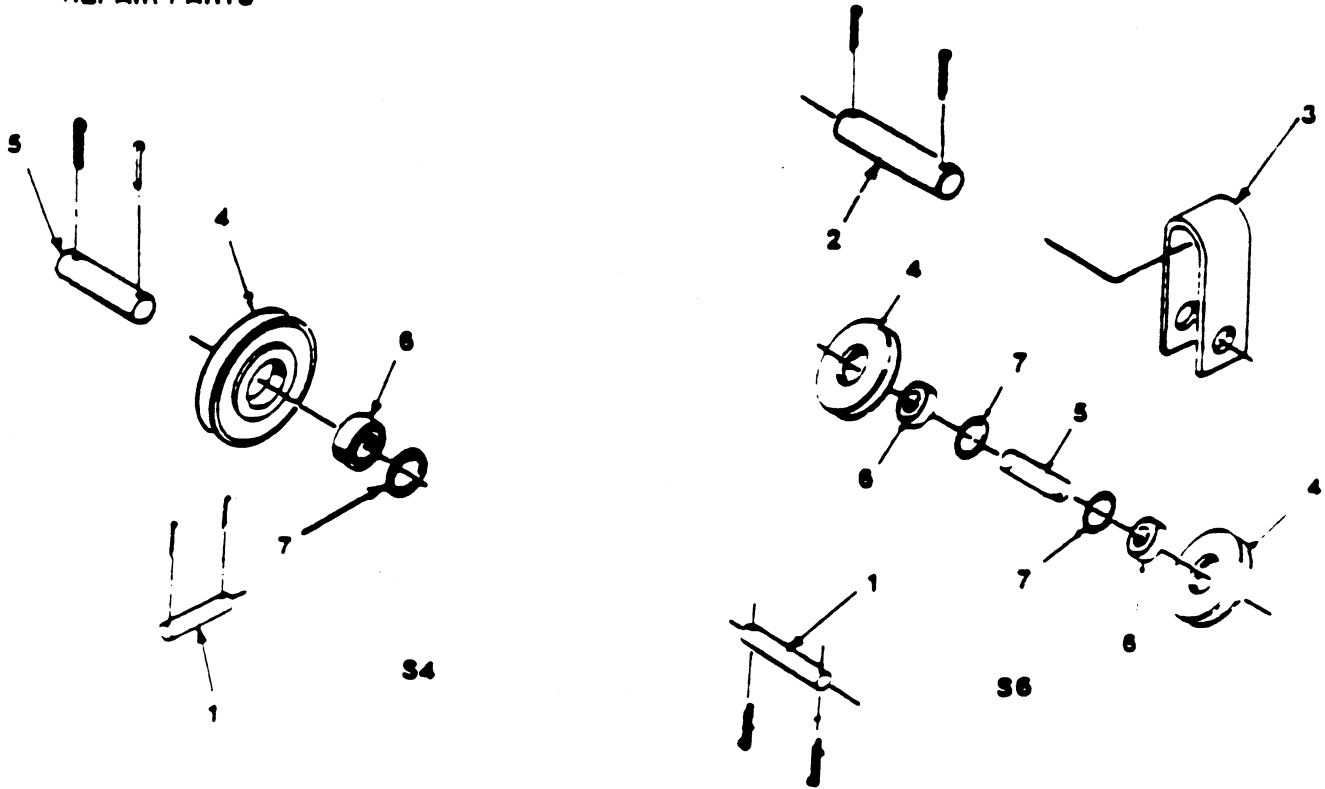
SIZES AVAILABLE

- 25 — 1/4 in.
- 31 — 5/16 in.
- 37 — 3/8 in.
- 43 — 7/16 in.
- 50 — 1/2 in.
- 56 — 9/16 in.
- 62 — 5/8 in.
- 75 — 3/4 in.

Yale Hoisting Equipment

SECTION 153C
REEVING KIT

REPAIR PARTS



ITEM	DESCRIPTION	S4 REW3	S4 QEW2 QEW3	S4 REW5 SEW6	S6 REW7-1/2	S4 SEW7-1/2 SEW10	S6 SEW15
	COMP. REEVING KIT	647929201	647929202	647929200	647057200	648096200	647187201
1	ROPE ANCHOR PIN	647018307	647018307	647018307	647638300	644495108	644495108
2	IDLER SHEAVE PIN (TOP)	--	--	--	648612102	--	648535301
3	YOKE (IDLER)	--	--	--	648500300	--	647553300
4	IDLER SHEAVE	010988501	010988501	010988500	010998500	010998600	010998600
5	IDLER SHEAVE PIN	645203116	645203116	645203116	645203121	645203110	648535301
6	IDLER SHEAVE BEARING	015128100	015128100	015128100	015128100	500353905	500353905
7	BEARING RETAINER	500343914	500343914	500343914	500343914	501989909	501989909
	ROPE RETAINER (NOT SHOWN)	643934200	643934201	643934200	643934200	643934200	643934200

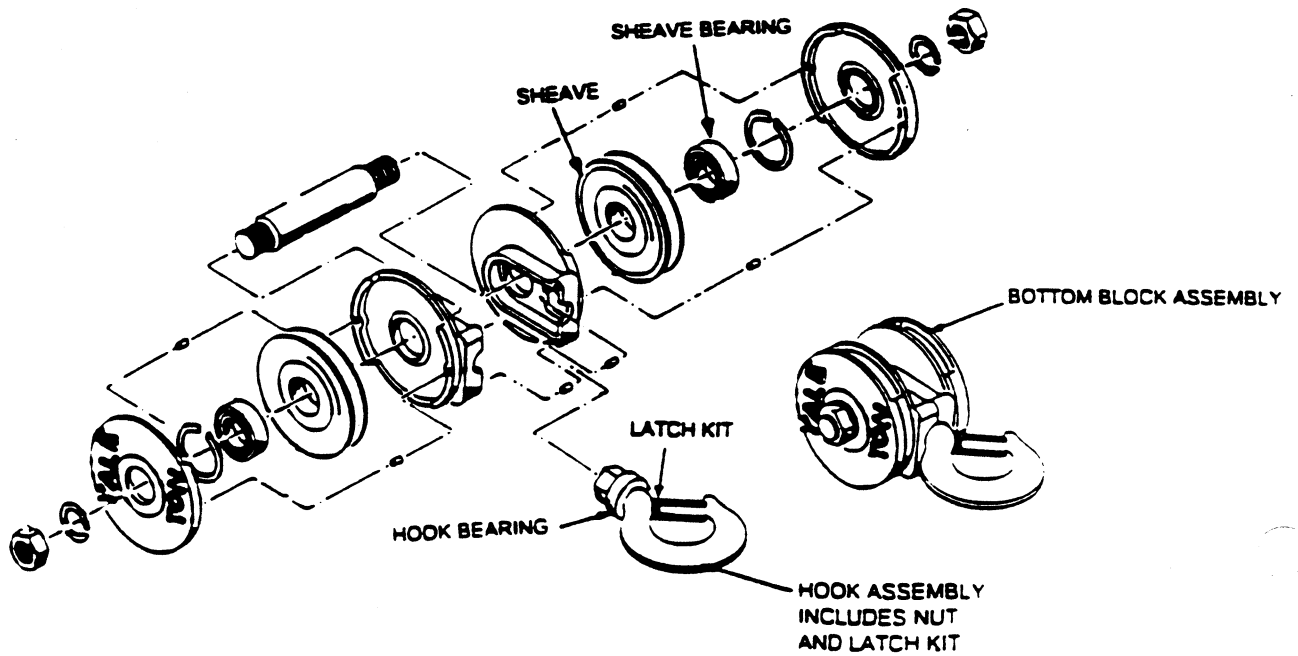
PAT-008

When Replacement Parts Are Needed, Order Only Yale® Factory Engineered Parts



BOTTOM BLOCK REPAIR PARTS

SECTION C
BOTTOM BLOCK



NOTE:
THE BOTTOM BLOCK ILLUSTRATED
ABOVE MAY NOT EXACTLY REPRESENT
THE ACTUAL APPEARANCE OF YOUR
BOTTOM BLOCK. HOWEVER IT IS TYPICAL

NOTE:
FOR REPLACEMENT, SEE PARTS LIST IN FRONT OF PARTS MANUAL. FOR PARTS NOT LISTED
CONTACT THE FACTORY

When Replacement Parts Are Needed, Order Only YALE Factory Engineered Parts



SECTION 2300
CONTROL COMPONENTS

To Select Control Components or Repair Parts


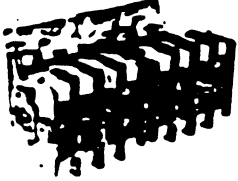



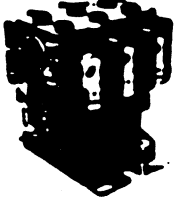
- (1) Refer to parts list in front cover of manual for component part numbers. The illustrations and descriptions in this section can be used to assist in component identification.

- (2) If complete device is needed, order by part number from the parts list.

- (3) If repair parts are needed, locate the component number in this section and order the repair parts listed for that device. If the component is not shown or the part you need is not listed, order the complete device or request assistance from your Yale dealer or repair station.



SECTION 2310 & 15
CONTACTOR

	COIL VOLTAGE	CONTACTOR PART NO.	COIL PART NO.	CONTACT KIT	AUXILIARY CONTACT
	24	6401559-01	5030818-00	6400028-00	6446608-01 (N.O.)
	115	6401559-02	5030828-00		6446608-02 (N.C.)
	24	6495701-01	6455871-11	6455871-10 (2) Req'd.	6424981-20
	115	6495701-02	6455871-12		
	24	6455808-01	6453168-00	6455898-00 (2) Req'd.	6453218-00 (N.O.)
	115	6455808-02	6453178-00		6453228-00 (N.C.)
	24	6424981-01	6424981-11	6424981-10 (2) Req'd.	6424981-20
	115	6424981-02	6424981-12		
	24	6455881-01	6455871-11	6455881-10	6424981-20
	115	6455881-02	6455871-12		
	24	6455891-01	6424981-01	6424981-10	6424981-20
	115	6455891-02	6424981-02		

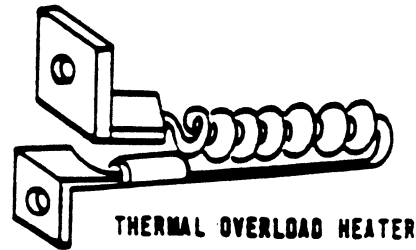
Form No. 165-909-027

When Replacement Parts Are Needed, Order Only Yale Factory Engineered Parts

Yale Hoisting Equipment

SECTION 2345
THERMAL OVERLOAD HEATERS

EW SERIES
THERMAL OVERLOAD HEATERS



The Overload Heater Illustrated Above
May Not Exactly Represent The Actual
Appearance Of Your Overload Heater.
However, It Is Typical.

Manufacturers Identification	Part Number	Full Load Amp Rating When Used in Overload Relay Number			
		6452508-00 (SEO-6B2) (3 Pole) Rating	6481811-01 (SEO-9B2) (3 Pole) Rating	0106755-00 0106756-00 (ARO-1) (1 Pole) Rating	(ATO-1) (1 Pole) Rating
AR .71	6400789-01	.52-.56		.56-.60	
AR .78	6400789-04	.57-.62		.61-.66	
AR 1.05	6400789-03	.77-.84		.82-.89	
AR 1.15	0579103-00	.85-.92		.90-.98	
AR 1.26	0106784-00	.93-1.01		.99-1.08	
AR 1.39	6400789-07	1.02-1.12		1.09-1.19	
AR 1.53	0106775-00	1.13-1.23		1.20-1.31	
AR 1.68		1.24-1.35		1.32-1.45	
AR 1.85	0106772-00	1.36-1.50		1.46-1.60	
AR 2.04	0106787-00	1.51-1.65		1.61-1.76	
AR 2.24	0106776-00	1.66-1.81		1.77-1.93	
AR 2.46	6400789-02	1.82-1.99		1.94-2.13	
AR 2.71	0106782-00	2.00-2.19		2.14-2.34	
AR 2.98	0546128-00	2.20-2.41		2.35-2.58	
AR 3.28	0106770-00	2.42-2.67		2.59-2.85	
AR 3.62	0106778-00	2.68-2.93		2.86-3.13	
AR 3.98	6400789-06	2.94-3.22		3.14-3.44	
AR 4.37	0560153-00	3.23-3.54		3.45-3.78	

FORM NO. 165-909-013

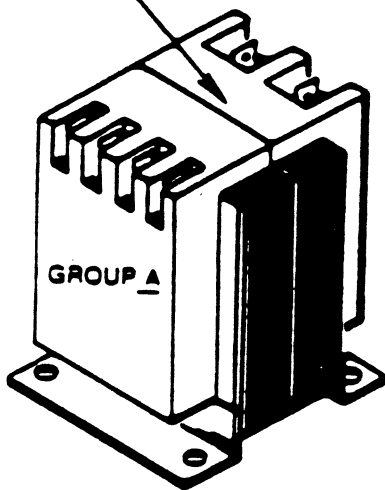
When Replacement Parts Are Needed, Order Only Yale[®] Factory Engineered Parts

AUGUST 1983

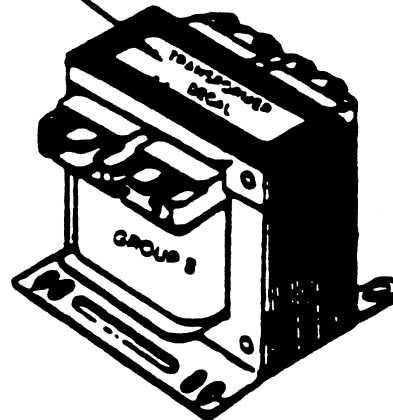
Duff-Norton Yale® Hoists

SECTION 2330 TRANSFORMER

TRANSFORMER NINE DIGIT PART NUMBER STAMPED HERE



1. FIND VA, PRIMARY & SECONDARY VOLTS
2. USE PARTS LIST IN FRONT COVER OR CHART TO SELECT TRANSFORMER



GROUP A

VA	Primary Volts	Secondary Volts	Hertz	Part Number	Fuse Required
25	115/230	24	50/60	6437393-01	N/R
	230/460	24	50/60	6437393-02	N/R
	115/230	110	50/60	6437393-03	N/R
	230/460	110	50/60	6437393-04	N/R
	200	24	50/60	6437393-05	N/R
	200	110	50/60	6437393-06	N/R
	575	24	50/60	6437393-07	N/R
	575	110	50/60	6437393-08	N/R

GROUP B

50	200	115	50/60	6478963-12	6458398-04
	230/460	115	50/60	6478963-13	6458398-04
	575	115	50/60	6478963-14	6458398-04
	200	24	50/60	6478963-16	6458398-11
	230/460	24	50/60	6478963-17	6458398-11
	575	24	50/60	6478963-18	6458398-11
	150	200	115	50/60	6478963-22
230/460		115	50/60	6478963-23	6458398-08
575		115	50/60	6478963-24	6458398-08
200		24	50/60	6478963-26	6458398-20
230/460		24	50/60	6478963-27	6458398-20
575		24	50/60	6478963-28	6458398-20
300		200	115	50/60	6478963-32
	230/460	115	50/60	6478963-33	6458398-12
	575	115	50/60	6478963-34	6458398-12
	200	24	50/60	6478963-36	6458398-25
	230/460	24	50/60	6478963-37	6458398-25
	575	24	50/60	6478963-38	6458398-25

N/R NOT REQUIRED

When Replacement Parts Are Needed, Order Only Yale® Factory Engineered Parts

SECTION 2710 / 80

PUSH BUTTON

2740		Enclosure (Less) (Elements)	Two Button Four Button Six Button Eight Button Ten Button	6452753-02 6452753-04 6452753-06 6452753-08 6452753-10
2750		Elements	Single Speed (Pair)	6452763-01
			Two Speed (Pair)	6452763-02
			Five Speed (Pair)	6452763-05
			Maintained/ Momentary	6455953-00
		Selector Switch	Two Position Three Position	6463493-00 6455983-00
		Pilot Light	115 Volt Red	6455973-00
		Potentiometer	1000 Ohm	6451821-01
		Elements	Single Button (One)	6456263-00
		Off/On Element	Locking Non-Locking	6455963-00
		Closing Plate		6452883-00

JULY 1983

**SECTION 2345
THERMAL OVERLOAD HEATERS**

Manufacturers Identification	Part Number	Full Load Amp Rating When Used in Overload Relay Number			
		6482508-00 (SEO-882) (3 Pole) Rating	6481811-01 (SEO-882) (3 Pole) Rating	0106755-00 0106756-00 (ARO-1) (1 Pole) Rating	(ATO-1) (1 Pole) Rating
AR 4.80	6400789-05	3.55—3.91		3.79—4.17	
AR 5.3	0106783-00	3.92—4.28		4.18—4.57	
AR 5.8	0106771-00	4.29—4.72		4.58—5.04	
AR 6.4	0586636-00	4.73—5.17		5.05—5.52	
AR 7.0	0106779-00	5.18—5.68		5.53—6.07	
AR 7.7	0106762-00	5.69—6.28		6.08—6.70	
AR 8.5	0106768-00	6.29—6.87		6.71—7.33	
AR 9.3	0106769-00	6.88—7.54	5.11—5.60	7.34—8.05	7.34—8.05
AR 10.2	0106767-00	7.55—8.28	5.61—6.15	8.06—8.84	8.06—8.84
AR 11.2	0106781-00	8.29—9.16	6.16—6.81	8.85—9.78	8.85—9.78
AR 12.4	0106774-00	9.17—9.99	6.82—7.47	9.79—10.6	9.79—10.6
AR 13.6	0106766-00	10.0 —11.3	7.48—8.47	10.7 —12.0	10.7 —12.0
AR 15.4	0106785-00	11.4 —12.9	8.47—9.67	12.1 —13.8	12.1 —13.8
AR 17.6	0106763-00	13.0 —15.1	9.68—11.2	13.9 —16.1	13.9 —16.1
AR 20.5	0106777-00	15.2 —16.9	11.3—12.5	16.2 —18.1	16.2 —18.1
AR 23	0106764-00	17.0 —19.9	12.6—14.8	18.2 —21.2	18.2 —21.2
AR 27	0106765-00	20.0 —22.1	14.9—16.4	21.3 —23.6	21.3 —23.6
AR 30	0106768-00	22.2 —24.8	16.5 —19.1	23.7 —27.5	23.7 —27.5
AR 35	0106780-00	25.9 —28.5	19.2 —21.9	27.6 —31.5	27.6 —31.5
AR 40	0547894-00	29.6 —31.5	22.0 —23.1		31.6 —33.6
AR 44	6466548-00		24.2 —25.7		34.7 —37.0
AR 47			25.8 —27.9		37.1 —40.2
AR 51	0548711-00		28.0 —30.1		40.3 —43.3
AR 55	0594821-00		30.2 —32.9		43.4 —47.3
AR 60			33.0 —36.2		47.4 —52.0
AR 66			36.3 —39.5		
AR 72			39.6 —43.3		
AR 79			43.4 —47.2		
AR 86			47.3 —51.6		
AR 94			51.7 —55.0		

IO-09-013
CRM NO 185-909-013

When Replacement Parts Are Needed, Order Only Yale® Factory Engineered Parts
EA SERIES

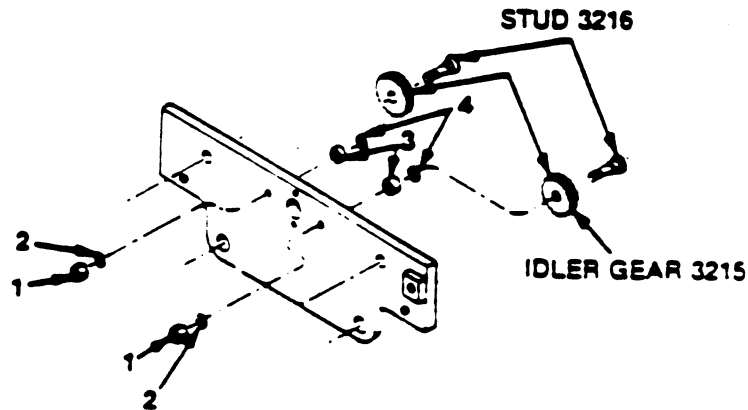


SECTION 2710 / 80

PUSH BUTTON

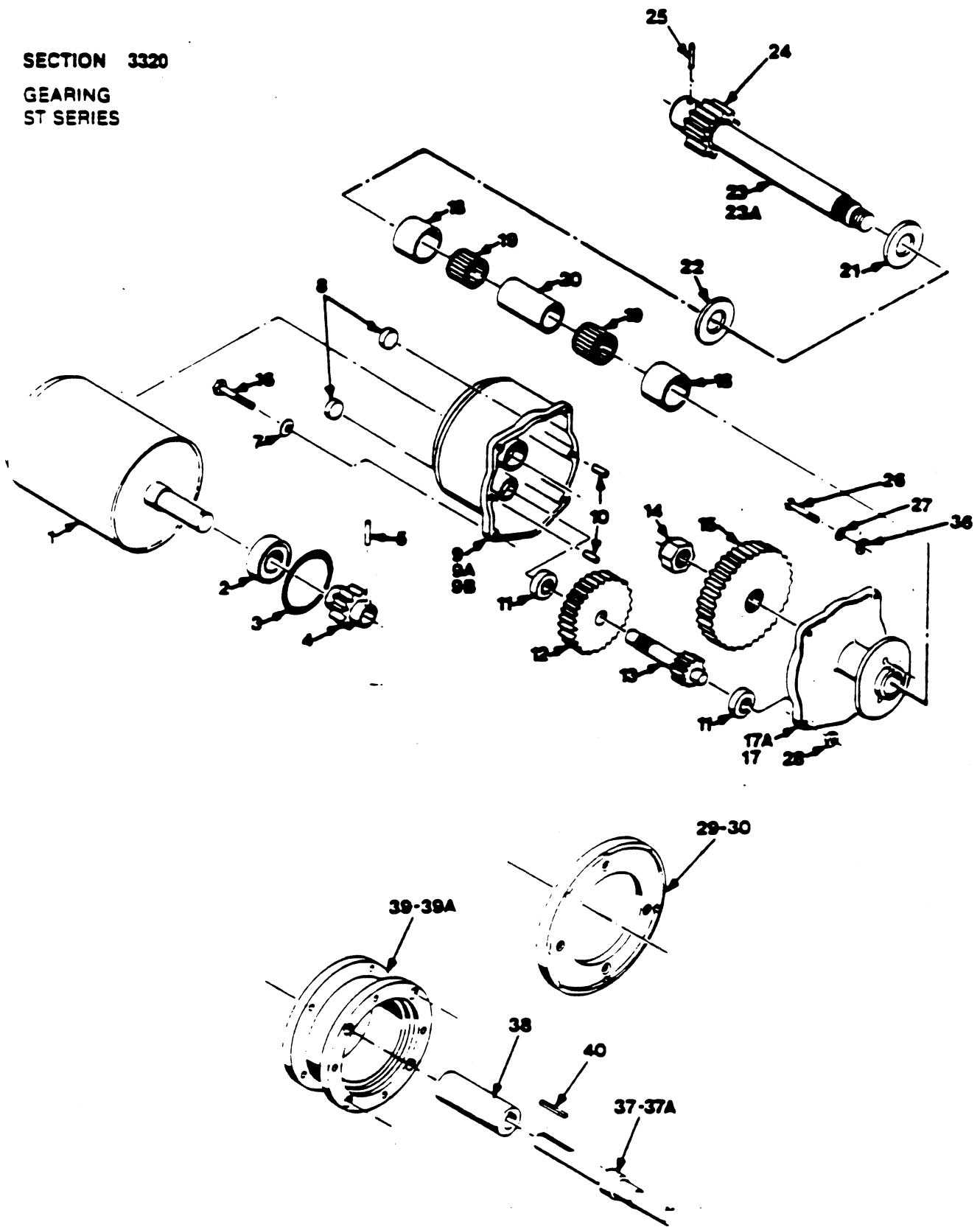
2760	Component Number	Markings				
		1	1A	1B	2	3
	6452803-01	Hoist			Up	Down
	6452803-02	Trolley			East	West
	6452803-03	Trolley			Forward	Reverse
	6452803-04	Trolley			North	South
	6452803-05	Bridge			Forward	Reverse
	6452803-06	Bridge			East	West
	6452803-07	Bridge			North	South
	6452803-08				Start	Stop
	6452803-09				Reset	Stop
	6452803-10					
	6452803-11				Forward	Reverse
	6452803-12				North	South
	6452803-13				East	West
	6452803-14				In	Out
	6452803-15				Left	Right
	6452803-16	Crane			Forward	Reverse
	6452803-17				Off	On
	6452803-18				On	Off
	6452803-19				Stop	Start
	6452803-20				Stop	Reset
	6452803-21			Inch		Run
	6452803-22			Slow		Fast

2710		Complete Station	Two Button	Up-Down	6480701-01
			S / Speed	Fwd- Rev	6480701-02
			Two Button	Up-Down	6469823-01
			Two Speed	Fwd-Rev	6469823-02
2710		COMPLETE STATION	TWO BUTTON S/SPEED	6471993-00	
2710		For Explosion Proof or other Special Push Buttons. Refer to Computer Parts list in front of Manual.			



GEAR	STUD	ITEM 1 NUT	ITEM 2 LOCKWASHER	ITEM 3 SPACER	ITEM 4 WASHER
STANDARD					
0664821-00	0664826-00	0149375-00	0401008-00	6400821-00	0250699-00
0664432-00	6400811-00	0149374-00	0150268-00	0544159-00	0143734-00
6456801-00	6400811-00	0149374-00	0150268-00	0544158-00	0143734-00
BRONZE					
6490241-00	0664826-00	0149375-00	0401008-00	6400821-00	0250699-00
6421663-00	6400811-00	0149374-00	0150268-00	0544158-00	0143734-00
6487501-00	6400811-00	0149374-00	0150268-00	0544158-00	0143734-00

SECTION 3320
GEARING
ST SERIES



FORM NO 185-912-115

When Replacement Parts Are Needed, Order Only Yale® Factory Engineered Parts

EW 4W SERIES

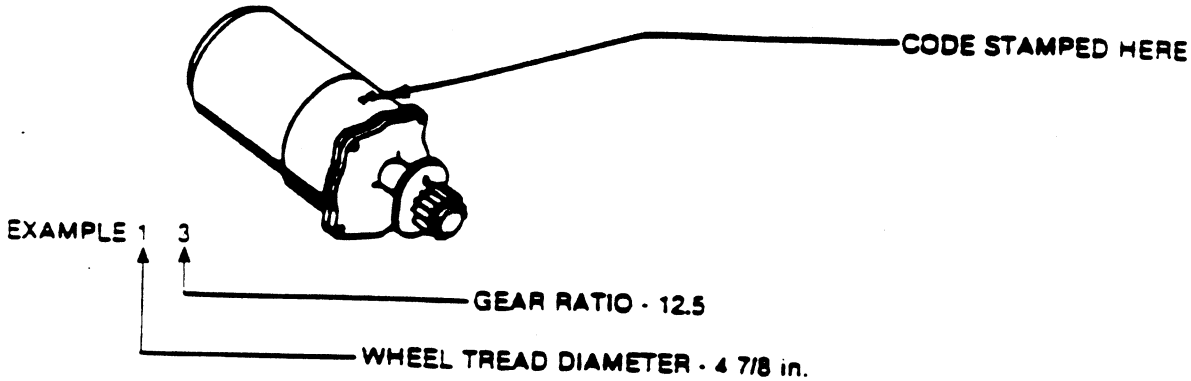
Yale Hoisting Equipment

USER INFORMATION PAGE

IMPORTANT
SELECT COMPONENT ASSEMBLY
NUMBER FROM PARTS LIST IN FRONT
COVER BEFORE SELECTING
REPLACEMENT ITEM NUMBER

SECTION 332
 ST GEARING

1. FIND TWO DIGIT IDENTIFICATION CODE STAMPED ON TOP OF THE TROLLEY GEARCASE.



EXAMPLE 1 3

2. SEE TABLE BELOW FOR TROLLEY SPEED AND REPAIR PARTS PAGE NUMBER.

3. TURN TO SECTION 3320 PAGES 2, 3 & 4 FOR REPAIR PART INFORMATION

NOTE. CATALOG SPEEDS ARE BASED ON 1800 RPM MOTORS.

Complete ST Gearing Assembly							
Standard EW Selection	Exp. Proof EW Selection	Standard AW Selection	Two Digit Code	Tread Diameter (in.)	Gear Ratio	Trolley Speed	Section Page No
6460072-11	6462142-11	6459472-11	11	4 7/8	18.06	25	3320 Page 4
6460072-12	6462142-12	6459472-12	12	4 7/8	13.58	30	
6460072-13	6462142-13	6459472-13	13	4 7/8	12.5	35	
6460072-14	6462142-14	6459472-14	14	4 7/8	9.4	50	
6460072-15	6462142-15	6459472-15	15	4 7/8	7.87	55	
6460072-16	6462142-16	6459472-16	16	4 7/8	5.45	70	
6460072-21	6462142-21	6459472-21	21	6	18.06	35	3320 Page 4
6460072-22	6462142-22	6459472-22	22	6	13.58	50	
6460072-23	6462142-23	6459472-23	23	6	12.5	55	
6460072-24	6462142-24	6459472-24	24	6	9.4	70	
6460072-25	6462142-25	6459472-25	25	6	7.87	80	
6460072-26	6462142-26	6459472-26	26	6	5.45	120	
6460072-31	6462142-31	6459472-31	31	8	18.06	35	3320 Page 4
6460072-32	6462142-32	6459472-32	32	8	13.58	45	
6460072-33	6462142-33	6459472-33	33	8	12.5	50	
6460072-34	6462142-34	6459472-34	34	8	9.4	70	
6460072-35	6462142-35	6459472-35	35	8	7.87	80	
6460072-36	6462142-36	6459472-36	36	8	5.45	115	
6460072-41	6462142-41	6459472-41	41	10	18.06	35	3320 Page 4
6460072-42	6462142-42	6459472-42	42	10	13.58	45	
6460072-43	6462142-43	6459472-43	43	10	12.5	50	
6460072-44	6462142-44	6459472-44	44	10	9.4	70	
6460072-45	6462142-45	6459472-45	45	10	7.87	80	
6460072-46	6462142-46	6459472-46	46	10	5.45	115	

□ Face Mounting

FORM NO 165-972-113

When Replacement Parts Are Needed, Order Only Yale[®] Factory Engineered Parts

REV JULY 1983

EW AW SERIES

SECTION 3320

GEARING
ST SERIES

TABLE 1

	PINION SHAFT ITEM 23	PINION ITEM 24	DRIVE PIN ITEM 25
6 in. Whl Trolley	6401423-00	0588168-00 14 teeth	0559292-00
8 in. Whl Trolley	6435181-00	6415121-00 10 teeth	0157393-00
10 in. Whl Trolley	6426333-00	6415121-00 10 teeth	0157393-00

TABLE 2

TWO DIGIT CODE	WHEEL TREAD DIA.			MOTOR PINION ITEM 4	LOCK PIN ITEM 5	GEAR ITEM 12	PINION ITEM 13	GEAR ITEM 15
	4 7/8	6	8 & 10					
	SPEED FPM							
11	25	.	.	0104607-00 12 teeth	0106959-00	6407531-00 52 teeth	6407511-00 12 teeth	0226396-00 50 teeth
12	30	.	.	0104607-00 12 teeth	0106959-00	6407531-00 52 teeth	6407501-00 15 teeth	0226408-00 47 teeth
13	35	.	.	0104602-00 16 teeth	0106953-00	6407541-00 48 teeth	6407511-00 12 teeth	0226396-00 50 teeth
14	50	.	.	0104602-00 16 teeth	0106953-00	6407541-00 48 teeth	6407501-00 15 teeth	0226408-00 47 teeth
15	55	.	.	0104607-00 12 teeth	0106959-00	6407531-00 52 teeth	6407521-00 22 teeth	0610986-00 40 teeth
16	70	.	.	0104602-00 16 teeth	0106953-00	6407541-00 48 teeth	6407521-00 22 teeth	0610986-00 40 teeth
21 31 41	35	35		0104607-00 12 teeth	0106959-00	6407531-00 52 teeth	6407511-00 12 teeth	0226396-00 50 teeth
22 32 42	50	45		0104607-00 12 teeth	0106959-00	6407531-00 52 teeth	6407501-00 15 teeth	0226408-00 47 teeth
23 33 43	55	50		0104602-00 16 teeth	0106953-00	6407541-00 45 teeth	6407511-00 12 teeth	0226396-00 50 teeth
24 34 44	70	70		0104602-00 16 teeth	0106953-00	6407541-00 48 teeth	6407501-00 15 teeth	0226408-00 47 teeth
25 35 45	80	80		0104607-00 12 teeth	0106959-00	6407531-00 52 teeth	6407521-00 22 teeth	0610986-00 40 teeth
26 36 46	120	115		0104602-00 16 teeth	0106953-00	6407541-00 48 teeth	6407521-00 22 teeth	0610986-00 40 teeth

-115-3

FORM NO. 165-912-115

When Replacement Parts Are Needed, Order Only Yale² Factory Engineered Parts

ST SERIES

REV JULY 1983

ITEM	PART NO.	DESCRIPTION	QTY.
1	SEE PARTS LIST	MOTOR	1
2	0325737-00	MOTOR BEARING	1
3	0193248-00	"O" RING	1
4	SEE TABLE 2	PINION	1
5	SEE TABLE 2	PINION PIN	1
6	0146723-00	SCREW (CONTROL BOX MTG. ONLY)	2
7	0150264-00	WASHER	4
8	0230825-00	PIPE PLUG	2
9	0192483-00	GEARCASE FOR PARTIAL MOTOR	1
9A	5041384-00	GEARCASE FOR C-FACE MOTOR	1
9B	6499941-00	GEARCASE AIR POWERED	1
10	6400529-01	DOWEL PIN	2
11	0100850-00	BEARING	2
12	SEE TABLE 2	GEAR	1
13	SEE TABLE 2	PINION	1
14	0326590-00	LOCKNUT 5/8 - 11	1
15	SEE TABLE 2	GEAR	1
16	0570482-00	SCREW 3/8 - 16 x 1	4
17	0221092-00	GEARCASE COVER STANDARD	1
17A	6446561-00	GEARCASE COVER C-FACE & AIR POWERED	1
18	0610994-00	INNER RACE	2
19	0572813-00	NEEDLE BEARING	2
20	0317344-00	SPACER	1
21	0535816-00	WASHER	1
22	0544158-00	WASHER, THRUST BRONZE SELF LUB.	1
23	SEE TABLE 1	SHAFT	1
23A	6400851-00	PINION & SHAFT ASM. (4 7/8 WHL TREAD DIA. ONLY)	1
24	SEE TABLE 1	PINION	1
25	SEE TABLE 1	DRIVE PIN	1
26	0554850-00	SCREW 1/2 - 13 x 1 1/4	2
27	0150266-00	LOCKWASHER	2
28	0149369-00	NUT 3/8 - 16	2
29	5039344-00	ADAPTER (C-FACE MOTOR)	1
30	5039354-00	ADAPTER (GEARCASE) (C-FACE MOTOR)	1
31	0149087-00	SCREW 5/16 X 1 FLAT HD (NOT SHOWN)	4
32	0149100-00	SCREW 3/8 X 7/8 FLAT HD (NOT SHOWN)	4
33	0597191-00	SCREW 3/8 - 1 1/2 (NOT SHOWN)	4
34	0150264-00	3/8 LOCKWASHER (NOT SHOWN)	12
35	0597164-00	SCREW 5/16 X 2 1/4 (NOT SHOWN)	4
36	0161100-00	FLAT WASHER	2
37	6489361-00	PINION SHAFT (W/HORTON BRK.) AIR POWERED	1
37A	6447193-00	PINION SHAFT (W/O BRAKE) AIR POWERED	1
38	6447203-00	COUPLING (W/O BRAKE) AIR POWERED	1
39	6447213-00	ADAPTER (W/O BRAKE) AIR POWERED	1
39A	6489391-00	ADAPTER (W/HORTON BRAKE) AIR POWERED	1
40	6405431-00	KEY, DRIVE SHAFT AIR POWERED	2
41	0621437-00	SCREW 5/16 X 1 (NOT SHOWN) AIR POWERED	4
42	0150262-00	LOCKWASHER 5/16 (NOT SHOWN) AIR POWERED	4
43	0570482-00	SCREW 3/8 X 1 (NOT SHOWN) AIR POWERED	8

FORM NO. 165-912-115

When Replacement Parts Are Needed, Order Only Yale® Factory Engineered Parts

R_EPAIR PARTS

When Replacement Parts Are Needed, Order Only Yale® Factory Engineered Parts

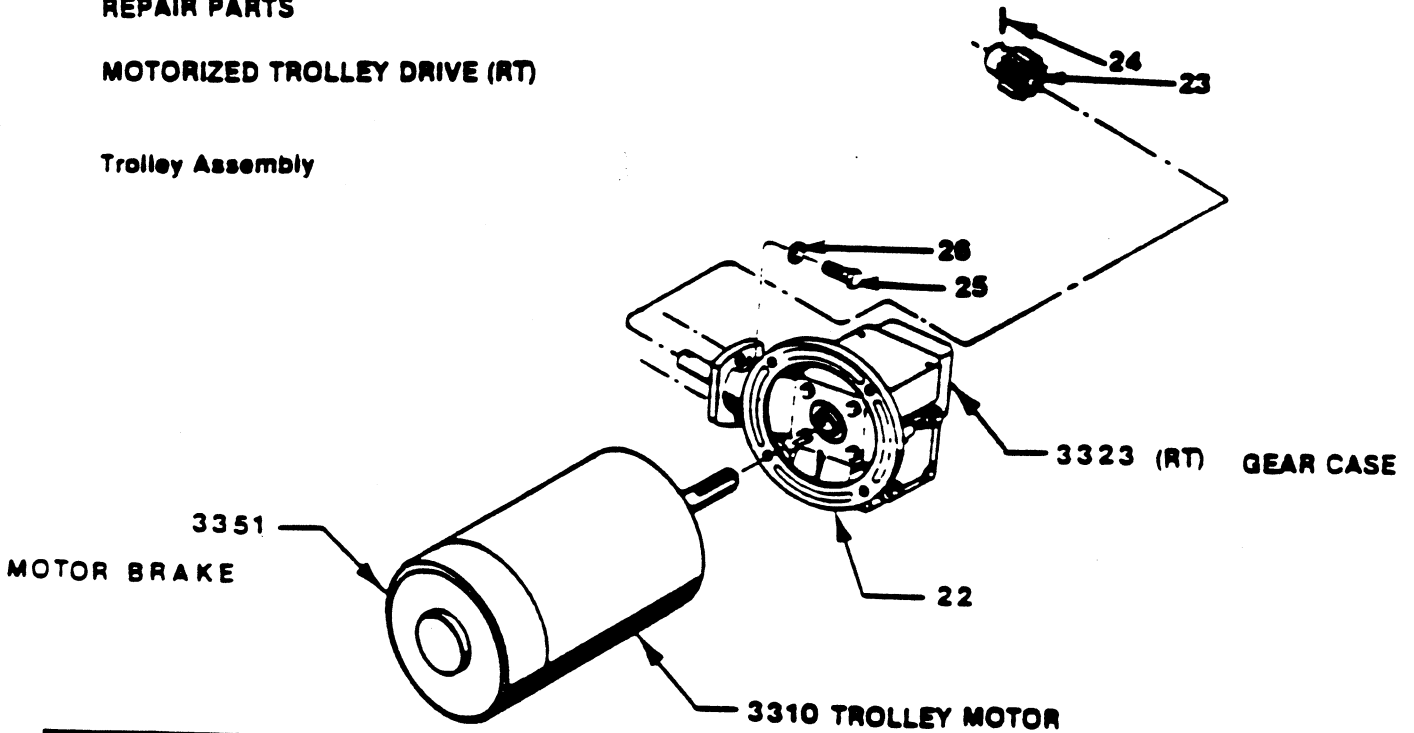
Yale Hoisting Equipment

SECTION 3323

REPAIR PARTS

MOTORIZED TROLLEY DRIVE (RT)

Trolley Assembly



ITEM NBR	PART NUMBER	DESCRIPTION	QTY
3323	SEE PART LIST	GEAR CASE	
3232	SEE PART LIST	RT MGT. KIT (incl. items 23, 24, 25 & 26)	1
22	6498053	ADAPTOR RING	1
23		PINION	1
24		GROOVE PIN	1
25		BOLT	1
26		LOCK WASHER	2
3310	SEE PART LIST*	MOTOR	2
3351	SEE PART LIST	MOTOR BRAKE	1

* When Ordering Motors Give Complete Data on Motor Nameplate.

PAT-005

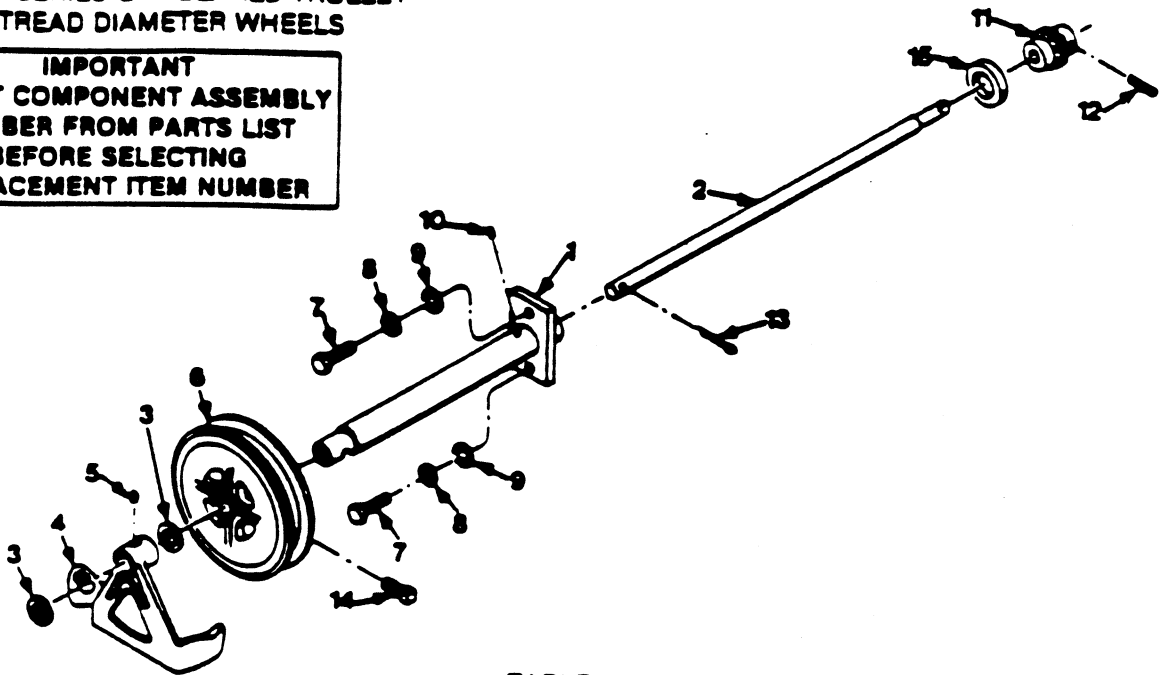
When Replacement Parts Are Needed, Order Only Yale® Factory Engineered Parts

SECTION 3330

HAND WHEEL GROUP

EW / AW SERIES GT - GEARED TROLLEY
8 & 10" TREAD DIAMETER WHEELS

IMPORTANT
SELECT COMPONENT ASSEMBLY
NUMBER FROM PARTS LIST
BEFORE SELECTING
REPLACEMENT ITEM NUMBER



TABLE

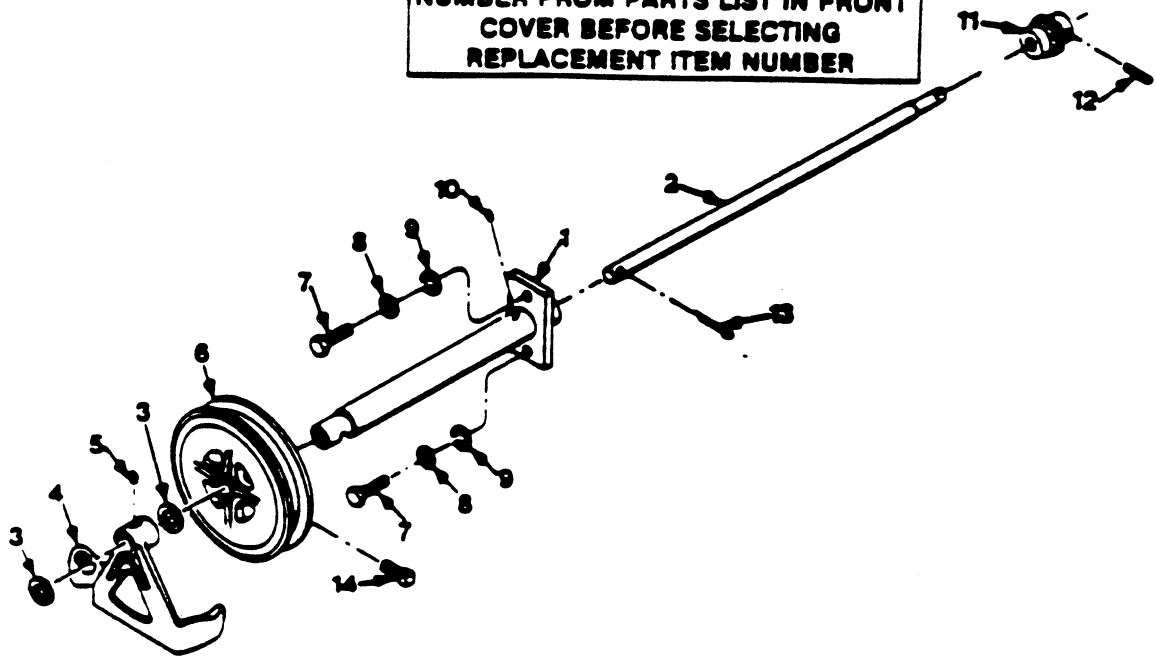
ASSEMBLY NUMBER	ITEM 1 EXTENSION	ITEM 2 SHAFT	LIFT
6434742-01	6445804-01	6436753-00	2
6434742-02	0684820-00	0665191-00	3
6434742-03	6443384-00	6419981-06	4
6434742-04	6420554-00	6410351-00	5
6434742-05	6444194-01	6419981-03	6
6434742-06	6444194-02	6419981-04	7
			8

ITEM NUMBER	PART NUMBER	DESCRIPTION	QTY
1	SEE TABLE	EXTENSION ITEM 1	1
2	SEE TABLE	SHAFT ITEM 2	1
3	0250664-00	WASHER	3
4	0591410-00	GUIDE	1
5	0185584-00	FITTING	1
6	0535795-00	HANDWHEEL	1
7	0596946-00	1/2-13 X 1 1/2 HEX HEAD SCREW	2
8	0142209-00	WASHER	2
9	0150266-00	LOCKWASHER	2
10	0227845-00	FITTING	1
11	0589890-00	PINION	1
12	0230236-00	ROLL PIN	1
13	0154214-00	COTTER PIN	1
14	0388010-00	1/2-13 SQUARE HEAD SCREW	1
15	0665193-00	SPACER	1
16	0033730-00	HAND CHAIN (NOT SHOWN) SPECIFY LENGTH	1

When Replacement Parts Are Needed, Order Only Yale Factory Engineered Parts. 165-912-073

EW / AW SERIES GT - GEARED TROLLEY
4 7/8" & 6" TREAD DIAMETER WHEELS

IMPORTANT
SELECT COMPONENT ASSEMBLY
NUMBER FROM PARTS LIST IN FRONT
COVER BEFORE SELECTING
REPLACEMENT ITEM NUMBER



TABLE

4 7/8" TREAD DIAMETER WHEELS				
ASSEMBLY NUMBER	ITEM 1 EXTENSION	ITEM 2 SHAFT	ITEM 11 PINION	ITEM 12 ROLL PIN
6434722-01	0864454-00	6456491-01	0250202-00	0230207-00
6434722-02	6437154-00	6456491-02	↓	↓
6434722-03	6439061-00	6456491-03	↓	↓
6434722-04	6452881-01	6456491-04	↓	↓
6434722-05	6452881-02	6456491-05	↓	↓
6434722-06	6442576-00	6456491-06	↓	↓
6434722-07	6452881-03	6456491-07	0250202-00	0230207-00

6" TREAD DIAMETER WHEELS				
ASSEMBLY NUMBER	ITEM 1 EXTENSION	ITEM 2 SHAFT	ITEM 11 PINION	ITEM 12 ROLL PIN
6434732-01	0864454-00	0864456-00	0588168-00	0559292-00
6434732-02	6437154-00	6430283-00	↓	↓
6434732-03	6439061-00	6439051-00	↓	↓
6434732-04	6452881-01	6452881-01	↓	↓
6434732-05	6452881-02	6452881-02	↓	↓
6434732-06	6442576-00	6446733-00	↓	↓
6434732-07	6452881-03	6452881-03	0588168-00	0559292-00

ITEM NUMBER	PART NUMBER	DESCRIPTION	QTY
1	0250868-00	WASHER	2
4	0588165-00	GUIDE	1
5	0185584-00	FITTING	1
6	0111132-00	HANDWHEEL	1
7	0554850-00	1/2-13 X 1 1/4 HEX HEAD SCREW	2
8	0142209-00	WASHER	2
9	0150286-00	LOCKWASHER	2
10	0227845-00	FITTING	1
11	SEE TABLE	PINION	1
12	SEE TABLE	ROLL PIN	1
13	0381400-00	COTTER PIN	1
14	0388054-00	7/16-14X1 SQUARE HEAD SCREW	1
15	0033730-00	HAND CHAIN (NOT SHOWN) SPECIFY LENGTH	

165-912-070

When Replacement Parts Are Needed, Order Only Yale Factory Engineered Parts.

Yale Hoisting Equipment

SECTION 3405
WHEEL & AXLE

CONSOLIDATED LISTING BY COMPONENT NUMBER

GT, PT & ST SERIES

Whl & Axle Grp Component No.	Refer Page No.	Tread Diameter	Tread Type	Wheel Type	Beam Type	Material	Wheel Part Number
6431282-00	3	4 7/8	Ball	Plain	ASI	Standard	6412133-00
6431292-00	3	4 7/8	↓	Geared	↓	↓	6412143-00
6431302-00	4	6	↓	Plain	↓	↓	6403844-00
6431312-00	4	6	↓	Geared	↓	↓	6403854-00
6431322-00	5	8	↓	Plain	↓	↓	6442494-00
6431332-00	5	8	↓	Geared	↓	↓	6442504-00
6431342-00	6	10	↓	Plain	↓	↓	0664017-00
6431352-00	6	10	Ball	Geared	ASI	Standard	0664432-00
6431362-00	3	4 7/8	Ball	Plain	ASI	Bronze	6405663-00
6431372-00	3	4 7/8	↓	Geared	↓	↓	6405673-00
6431382-00	4	6	↓	Plain	↓	↓	0664887-00
6431392-00	4	6	↓	Geared	↓	↓	0664886-00
6431402-00	5	8	↓	Plain	↓	↓	6404364-00
6431412-00	5	8	↓	Geared	↓	↓	6404374-00
6431422-00	6	10	↓	Plain	↓	↓	6426896-00
6431432-00	6	10	Ball	Geared	ASI	Bronze	6426906-00
6437032-00	6	9 3/4	Flat	Plain	WF	Standard	6450511-00
6437042-00	6	9 3/4	↓	Geared	↓	Standard	6450521-00
6438122-00	3	4 3/4	↓	Plain	↓	Bronze	6450431-00
6438132-00	3	4 3/4	Flat	Geared	WF	Bronze	6450441-00
6439142-00	3	4 3/4	Flat	Plain	Pat. Track	Standard	6465981-00
6439152-00	3	4 3/4	↓	Geared	↓	↓	6465991-00
6439622-00	4	5 7/8	↓	Geared	↓	↓	6454164-00
6439632-00	4	5 7/8	Flat	Plain	Pat. Track	Standard	6454154-00
6440242-00	3	4 3/4	Flat	Plain	WF	Standard	6450411-00
6440252-00	3	4 3/4	↓	Geared	WF	Standard	6450421-00
6440642-00	3	4 3/4	↓	Plain	Pat. Track	Bronze	6468751-00
6440652-00	3	4 3/4	↓	Geared	Pat. Track	Bronze	6468761-00
6440722-00	5	7 3/4	↓	Geared	WF	Standard	6433774-00
6440732-00	5	7 3/4	↓	Plain	WF	Standard	6433764-00
6441142-00	4	5 3/4	↓	Plain	WF	Bronze	6450471-00
6441152-00	4	5 3/4	↓	Geared	WF	Bronze	6450481-00
6441812-00	4	5 3/4	↓	Plain	WF	Standard	6450451-00
6441822-00	4	5 3/4	Flat	Geared	WF	Standard	6450461-00
6443282-00	6	10	Flat	Geared	Pat. Track	Standard	6473431-00
6443292-00	6	10	↓	Plain	↓	↓	6472651-00
6443782-00	5	8	↓	Plain	↓	↓	6446414-00
6443792-00	5	8	Flat	Geared	Pat. Track	Standard	6446424-00
6448512-00	4	5 7/8	Flat	Plain	Pat. Track	Bronze	6484291-00
6448522-00	4	5 7/8	↓	Geared	↓	Bronze	6484211-00
6461972-00	4	5 7/8	↓	Plain	↓	Standard	6454154-00
6461982-00	4	5 7/8	↓	Geared	↓	Standard	6454164-00
6463222-00	4	6	↓	Plain	↓	Bronze	6407373-00
6463232-00	4	6	Flat	Geared	Pat. Track	Bronze	6407383-00

* Includes Wheel, Bearings, Axle & Spacers.

121141

FORM NO. 185-912-114

When Replacement Parts Are Needed, Order Only Yale® Factory Engineered Parts

1983

EW SERIES

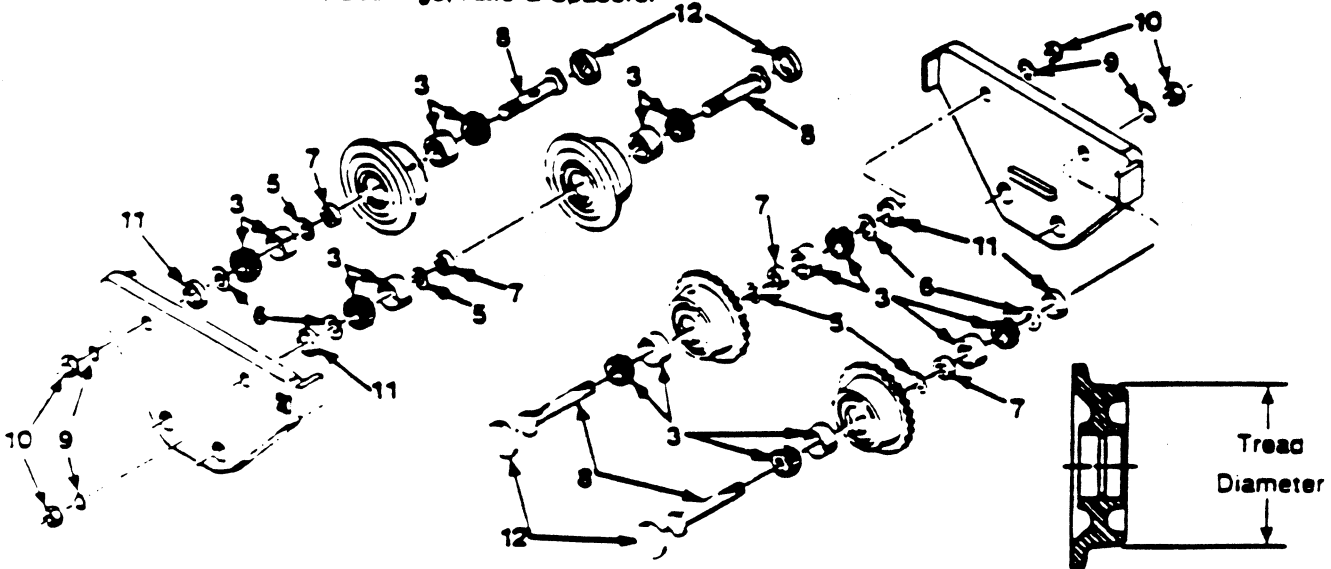
SECTION 3405

**WHEEL & AXLE
WHEEL TREAD DIAMETER 6 IN. ASI**

GT, PT & ST SERIES

Wheel & Axle Group Component No. *	Tread Diameter	Tread Type	Wheel Type	Beam Type	Material	Wheel Part Number
6431302-00	6	Ball	Plain	ASI	Standard	6403844-00
6431312-00	6	Ball	Geared	ASI	Standard	6403854-00
6431382-00	6	Ball	Plain	ASI	Bronze	0664887-00
6431392-00	6	Ball	Geared	ASI	Bronze	0664886-00
6439622-00	5 7/8	Flat	Geared	Pat. Track	Standard	6454164-00
6439632-00	5 7/8	Flat	Plain	Pat. Track	Standard	6454154-00
6441142-00	5 3/4	Flat	Plain	WF	Bronze	6450471-00
6441152-00	5 3/4	Flat	Geared	WF	Bronze	6450481-00
6441812-00	5 3/4	Flat	Plain	WF	Standard	6450451-00
6441822-00	5 3/4	Flat	Geared	WF	Standard	6450461-00
6448512-00	5 7/8	Flat	Plain	Pat. Track	Bronze	6484291-00
6448522-00	5 7/8	Flat	Geared	Pat. Track	Bronze	6484211-00
6461972-00	5 7/8	Flat	Plain	Pat. Track	Standard	6454154-00
6461982-00	5 7/8	Flat	Geared	Pat. Track	Standard	6454164-00
6463222-00	6	Flat	Plain	Pat. Track	Bronze	6407373-00
6463232-00	6	Flat	Geared	Pat. Track	Bronze	6407383-00

* Includes Wheel, Bearings, Axle & Spacers.



ITEM NUMBER	COMPONENT NUMBER	PART DESCRIPTION	QTY PER WHEEL
3	0578982-00	BEARING TAPERED	2
5	0111950-00	BEARING SHIM	4
6	0601083-00	BEARING SPACER	1
7	0579174-00	WHEEL SPACER	1
8	0664049-00	AXLE	1
9	0401010-00	LOCKWASHER 1 1/4	1
10	0379032-00	AXLE NUT	1

FORM NO 165-912-114

When Replacement Parts Are Needed, Order Only Yale® Factory Engineered Parts

EW SERIES

Yale Hoisting Equipment

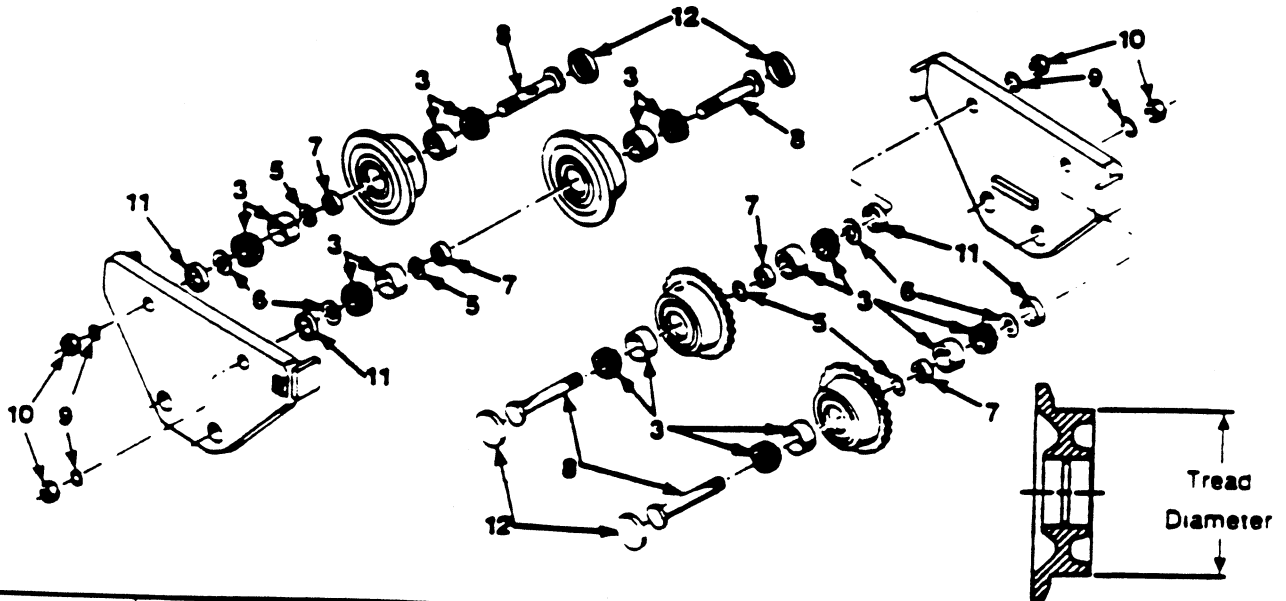
SECTION 3405
WHEEL & AXLE

WHEEL TREAD DIAMETER 4 7/8 IN. ASI

GT, PT & ST SERIES

Wheel & Axle Group Component No. *	Tread Diameter	Tread Type	Wheel Type	Beam Type	Material	Wheel Part Number
6431282-00	4 7/8	Ball	Plain	ASI	Standard	6412133-00
6431292-00	4 7/8	Ball	Geared	ASI	Standard	6412143-00
6431362-00	4 7/8	Ball	Plain	ASI	Bronze	6405663-00
6431372-00	4 7/8	Ball	Geared	ASI	Bronze	6405673-00
6438122-00	4 3/4	Flat	Plain	WF	Bronze	6450431-00
6438132-00	4 3/4	Flat	Geared	WF	Bronze	6450441-00
6439142-00	4 3/4	Flat	Plain	Pat. Track	Standard	6465981-00
6439152-00	4 3/4	Flat	Geared	Pat. Track	Standard	6465991-00
6440242-00	4 3/4	Flat	Plain	WF	Standard	6450411-00
6440252-00	4 3/4	Flat	Geared	WF	Standard	6450421-00
6440642-00	4 3/4	Flat	Plain	Pat. Track	Bronze	6468751-00
6440652-00	4 3/4	Flat	Geared	Pat. Track	Bronze	6468761-00

* Includes Wheel, Bearings, Axle & Spacers.



ITEM NUMBER	COMPONENT NUMBER	PART DESCRIPTION	QTY. PER WHEEL
3	0641327-00	BEARING CONE	2
4	0641326-00	BEARING CUP	2
5	5024531-00	BEARING SHIM	4
6	0664040-00	BEARING SPACER	1
7	0664039-00	WHEEL SPACER	1
8	0664038-00	AXLE	1
9	0213606-00	AXLE NUT	1

FORM NO. 185-912-114

When Replacement Parts Are Needed, Order Only Yale® Factory Engineered Parts

SECTION 3405

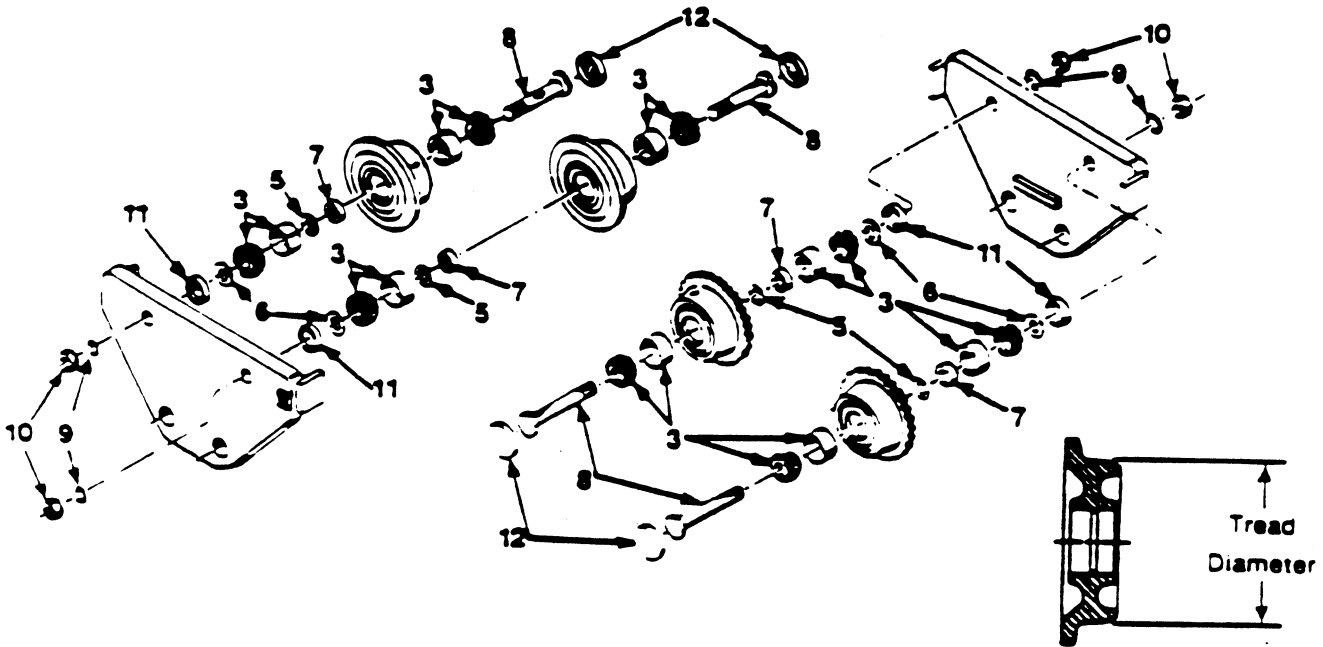
WHEEL & AXLE

WHEEL TREAD DIAMETER 10 IN. ASI

GT, PT & ST SERIES

Wheel & Axle Group Component No. *	Tread Diameter	Tread Type	Wheel Type	Beam Type	Material	Wheel Part Number
6431342-00	10	Ball	Plain	ASI	Standard	0654017-00
6431352-00	10	Ball	Geared	ASI	Standard	0654432-00
6431422-00	10	Ball	Plain	ASI	Bronze	6426896-00
6431432-00	10	Ball	Geared	ASI	Bronze	6426906-00
6437032-00	9 3/4	Flat	Plain	WF	Standard	6450511-00
6437042-00	9 3/4	Flat	Geared	WF	Standard	6450521-00
6443282-00	10	Flat	Geared	Pat. Track	Standard	6473431-00
6443292-00	10	Flat	Plain	Pat. Track	Standard	6472651-00

* Includes Wheel, Bearings, Axle & Spacers.



ITEM NUMBER	COMPONENT NUMBER	PART DESCRIPTION	QTY. PER WHEEL
3	0651247-00	BEARING CONE	2
4	0651248-00	BEARING CUP	2
5	0651256-00	BEARING SHIM	4
6	0651249-00	BEARING SPACER	1
7	0651250-00	WHEEL SPACER	1
8	0651243-00	AXLE	1
9	5021379-02	LOCKWASHER	1
10	6401679-00	AXLE NUT	1
11	0651252-00	DUST COVER INSIDE	1
12	0651253-00	DUST COVER OUTSIDE	1

FORM NO 165-912-114

12-114

When Replacement Parts Are Needed, Order Only Yale® Factory Engineered Parts

EW SERIES

Yale Hoisting Equipment

WHEEL TREAD DIAMETER 8 IN. ASI

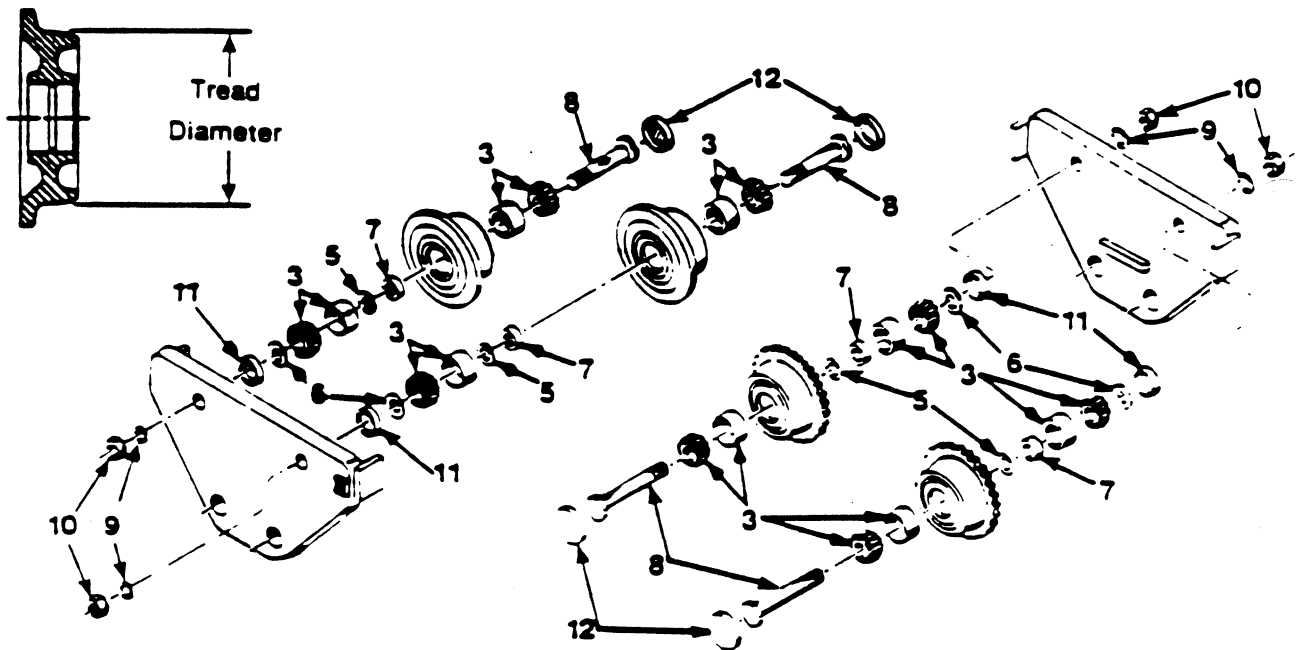
SECTION 3405

WHEEL & AX

GT, PT & ST SERIES

Wheel & Axle Group Component No. *	Tread Diameter	Tread Type	Wheel Type	Beam Type	Material	Wheel Part Number
6431322-00	8	Ball	Plain	ASI	Standard	6442494-00
6431332-00	8	Ball	Geared	ASI	Standard	6442504-00
6431402-00	8	Ball	Plain	ASI	Bronze	6404364-00
6431412-00	8	Ball	Geared	ASI	Bronze	6404374-00
6440722-00	7 3/4	Flat	Geared	WF	Standard	6433774-00
6440732-00	7 3/4	Flat	Plain	WF	Standard	6433764-00
6443782-00	8	Flat	Plain	Pat. Track	Standard	6446414-00
6443792-00	8	Flat	Geared	Pat. Track	Standard	6446424-00

* Includes Wheel, Bearings, Axle & Spacers.



ITEM NUMBER	COMPONENT NUMBER	PART DESCRIPTION	QTY. PER WHEEL
3	0646689-00	BEARING TAPERED	2
5	0111948-00	BEARING SHIM	4
6	0646668-00	BEARING SPACER	1
7	0236024-00	WHEEL SPACER	1
8	0864012-00	AXLE	1
9	0150300-00	LOCKWASHER 1 3/8	1
10	0149713-00	AXLE NUT 1 3/8 - 6	1
11	0646666-00	DUST COVER INSIDE	1
12	0646667-00	DUST COVER OUTSIDE	1

12-114

FORM NO. 165-912-114

When Replacement Parts Are Needed, Order Only Yale® Factory Engineered Parts

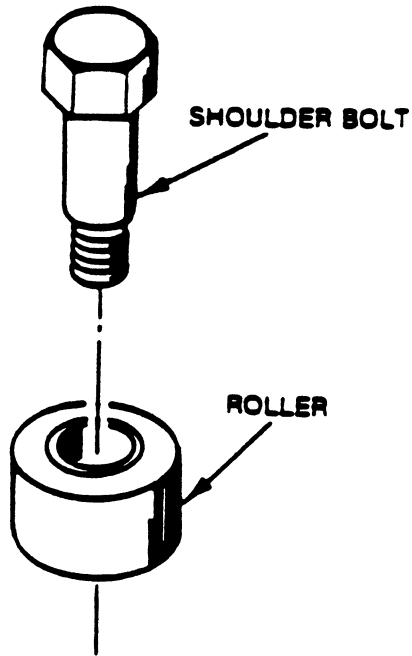
JULY 1983

5

EW SERIES

SECTION 3475
TROLLEY GUIDE ROLLER

**IMPORTANT
SELECT COMPONENT ASSEMBLY
NUMBER FROM PARTS LIST
BEFORE SELECTING
REPLACEMENT ITEM NUMBER**



COMPONENT NUMBER	ROLLER DIAMETER	MATERIAL	ROLLER PART NUMBER	SHOULDER BOLT PART NO.
6446012-01	2	STANDARD	6481681-01	6481371-00
6446012-02	1 3/4	STANDARD	6481681-02	6481371-00
6452562-01	2	BRONZE	6491571-01	6481371-00
6452562-02	1 3/4	BRONZE	6491571-02	6481371-00

FORM NO. 165-912-116

When Replacement Parts Are Needed, Order Only Yale[®] Factory Engineered Parts

JULY 1983

EW SERIES

POWERED HOIST INSPECTION CHECK LIST

SEE PREVENTIVE MAINTENANCE SECTION OF INSTRUCTION MANUAL FOR DETAILS.

CHECK ONLY COMPONENTS APPLICABLE FOR SPECIFIC EQUIPMENT AND INSPECTION TYPE.

HOIST MODEL _____

HOIST S/N _____

HOOKS	YES	NO	CABLE	YES	NO	CHAINS	YES	NO
HARDWARE LOOSE	<input type="checkbox"/>	<input type="checkbox"/>	BROKEN WIRES AT ENDS	<input type="checkbox"/>	<input type="checkbox"/>	BINDING	<input type="checkbox"/>	<input type="checkbox"/>
CRACKS	<input type="checkbox"/>	<input type="checkbox"/>	BROKEN WIRES EXCESSIVE	<input type="checkbox"/>	<input type="checkbox"/>	CRACKED	<input type="checkbox"/>	<input type="checkbox"/>
EXCESSIVE WEAR	<input type="checkbox"/>	<input type="checkbox"/>	EXCESSIVE WEAR	<input type="checkbox"/>	<input type="checkbox"/>	TWISTED	<input type="checkbox"/>	<input type="checkbox"/>
BENT	<input type="checkbox"/>	<input type="checkbox"/>	KINKED OR DISTORTED	<input type="checkbox"/>	<input type="checkbox"/>	DISTORTED	<input type="checkbox"/>	<input type="checkbox"/>
SPREADING	<input type="checkbox"/>	<input type="checkbox"/>	CORROSION	<input type="checkbox"/>	<input type="checkbox"/>	CORRODED	<input type="checkbox"/>	<input type="checkbox"/>
FREELY ROTATE	<input type="checkbox"/>	<input type="checkbox"/>	HEAT DAMAGED	<input type="checkbox"/>	<input type="checkbox"/>	EXCESSIVE WEAR	<input type="checkbox"/>	<input type="checkbox"/>
LATCH DAMAGED	<input type="checkbox"/>	<input type="checkbox"/>				WORN CHAIN GUIDES	<input type="checkbox"/>	<input type="checkbox"/>
						POCKET WHEELS WORN	<input type="checkbox"/>	<input type="checkbox"/>
BRAKES	YES	NO	WIRING	YES	NO	DRUM & SHEAVES	YES	NO
MOTOR BRAKE WORN OR NOT OPERATING	<input type="checkbox"/>	<input type="checkbox"/>	LOOSE CONNECTIONS	<input type="checkbox"/>	<input type="checkbox"/>	WORN EXCESSIVELY	<input type="checkbox"/>	<input type="checkbox"/>
EXCESSIVE LOADBRAKE DRIFT OR BLACKLASH	<input type="checkbox"/>	<input type="checkbox"/>	FRAYED	<input type="checkbox"/>	<input type="checkbox"/>	CRACKED OR SCORED	<input type="checkbox"/>	<input type="checkbox"/>
EXCESSIVE DISC WEAR	<input type="checkbox"/>	<input type="checkbox"/>	DAMAGED	<input type="checkbox"/>	<input type="checkbox"/>			
			PROPER GROUNDING	<input type="checkbox"/>	<input type="checkbox"/>			
LIMIT SWITCHES	YES	NO	LOAD LIMITING DEVICE	YES	NO	COLLECTORS	YES	NO
OPERATING PROPERLY	<input type="checkbox"/>	<input type="checkbox"/>	OPERATING PROPERLY	<input type="checkbox"/>	<input type="checkbox"/>	BINDING	<input type="checkbox"/>	<input type="checkbox"/>
						EXCESSIVE WEAR	<input type="checkbox"/>	<input type="checkbox"/>
HOUSING	YES	NO	OPERATION CONTROLS	YES	NO	LUBRICATION	YES	NO
DISTORTED	<input type="checkbox"/>	<input type="checkbox"/>	CONTACTOR PITTING	<input type="checkbox"/>	<input type="checkbox"/>	ALL POINTS LUBRICATED AS GIVEN IN LUB CHART	<input type="checkbox"/>	<input type="checkbox"/>
CRACKS	<input type="checkbox"/>	<input type="checkbox"/>	OPERATING PROPERLY	<input type="checkbox"/>	<input type="checkbox"/>	OIL DARK OR LOW	<input type="checkbox"/>	<input type="checkbox"/>
LOOSE HARDWARE	<input type="checkbox"/>	<input type="checkbox"/>	DAMAGED PUSH BUTTON	<input type="checkbox"/>	<input type="checkbox"/>	OIL LEAKS	<input type="checkbox"/>	<input type="checkbox"/>
BEARING NOISE	<input type="checkbox"/>	<input type="checkbox"/>	HOUSING	<input type="checkbox"/>	<input type="checkbox"/>			
SUPPORTING STRUCTURE	YES	NO	AIR SYSTEM	YES	NO	WARNING LABELS	YES	NO
CONTINUED ABILITY TO SUPPORT IMPOSED LOADS	<input type="checkbox"/>	<input type="checkbox"/>	LEAKING	<input type="checkbox"/>	<input type="checkbox"/>	MISSING	<input type="checkbox"/>	<input type="checkbox"/>
WORN OR DISTORTED TROLLEY PARTS	<input type="checkbox"/>	<input type="checkbox"/>	LOOSE CONNECTIONS	<input type="checkbox"/>	<input type="checkbox"/>	ILLEGIBLE	<input type="checkbox"/>	<input type="checkbox"/>
			BROKEN CONTROL PENDANT	<input type="checkbox"/>	<input type="checkbox"/>			

NOTE IF ANY () IS CHECKED DO NOT OPERATE THE HOIST UNTIL REPAIRS HAVE BEEN MADE.

REMARKS AND REPAIRS MADE _____

SIGNATURE _____ DATE _____ CLOCK NUMBER _____

POWERED HOIST INSPECTION CHECK LIST

SEE PREVENTIVE MAINTENANCE SECTION OF INSTRUCTION MANUAL FOR DETAILS.

CHECK ONLY COMPONENTS APPLICABLE FOR SPECIFIC EQUIPMENT AND INSPECTION TYPE.

HOIST MODEL _____

HOIST S/N _____

HOOKS	YES	NO	CABLE	YES	NO	CHAINS	YES	NO
HARDWARE LOOSE	<input type="checkbox"/>	<input type="checkbox"/>	BROKEN WIRES AT ENDS	<input type="checkbox"/>	<input type="checkbox"/>	BINDING	<input type="checkbox"/>	<input type="checkbox"/>
CRACKS	<input type="checkbox"/>	<input type="checkbox"/>	BROKEN WIRES EXCESSIVE	<input type="checkbox"/>	<input type="checkbox"/>	CRACKED	<input type="checkbox"/>	<input type="checkbox"/>
EXCESSIVE WEAR	<input type="checkbox"/>	<input type="checkbox"/>	EXCESSIVE WEAR	<input type="checkbox"/>	<input type="checkbox"/>	TWISTED	<input type="checkbox"/>	<input type="checkbox"/>
BENT	<input type="checkbox"/>	<input type="checkbox"/>	KINKED OR DISTORTED	<input type="checkbox"/>	<input type="checkbox"/>	DISTORTED	<input type="checkbox"/>	<input type="checkbox"/>
SPREADING	<input type="checkbox"/>	<input type="checkbox"/>	CORROSION	<input type="checkbox"/>	<input type="checkbox"/>	CORRODED	<input type="checkbox"/>	<input type="checkbox"/>
FREELY ROTATE	<input type="checkbox"/>	<input type="checkbox"/>	HEAT DAMAGED	<input type="checkbox"/>	<input type="checkbox"/>	EXCESSIVE WEAR	<input type="checkbox"/>	<input type="checkbox"/>
LATCH DAMAGED	<input type="checkbox"/>	<input type="checkbox"/>				WORN CHAIN GUIDES	<input type="checkbox"/>	<input type="checkbox"/>
						POCKET WHEELS WORN	<input type="checkbox"/>	<input type="checkbox"/>
BRAKES	YES	NO	WIRING	YES	NO	DRUM & SHEAVES	YES	NO
MOTOR BRAKE WORN OR NOT OPERATING	<input type="checkbox"/>	<input type="checkbox"/>	LOOSE CONNECTIONS	<input type="checkbox"/>	<input type="checkbox"/>	WORN EXCESSIVELY	<input type="checkbox"/>	<input type="checkbox"/>
EXCESSIVE LOADBRAKE DRIFT OR BLACKLASH	<input type="checkbox"/>	<input type="checkbox"/>	FRAYED	<input type="checkbox"/>	<input type="checkbox"/>	CRACKED OR SCORED	<input type="checkbox"/>	<input type="checkbox"/>
EXCESSIVE DISC WEAR	<input type="checkbox"/>	<input type="checkbox"/>	DAMAGED	<input type="checkbox"/>	<input type="checkbox"/>			
			PROPER GROUNDING	<input type="checkbox"/>	<input type="checkbox"/>			
LIMIT SWITCHES	YES	NO	LOAD LIMITING DEVICE	YES	NO	COLLECTORS	YES	NO
OPERATING PROPERLY	<input type="checkbox"/>	<input type="checkbox"/>	OPERATING PROPERLY	<input type="checkbox"/>	<input type="checkbox"/>	BINDING	<input type="checkbox"/>	<input type="checkbox"/>
						EXCESSIVE WEAR	<input type="checkbox"/>	<input type="checkbox"/>
HOUSING	YES	NO	OPERATION CONTROLS	YES	NO	LUBRICATION	YES	N
DISTORTED	<input type="checkbox"/>	<input type="checkbox"/>	CONTACTOR PITTING	<input type="checkbox"/>	<input type="checkbox"/>	ALL POINTS LUBRICATED AS GIVEN IN LUB CHART	<input type="checkbox"/>	<input type="checkbox"/>
CRACKS	<input type="checkbox"/>	<input type="checkbox"/>	OPERATING PROPERLY	<input type="checkbox"/>	<input type="checkbox"/>	OIL DARK OR LOW	<input type="checkbox"/>	<input type="checkbox"/>
LOOSE HARDWARE	<input type="checkbox"/>	<input type="checkbox"/>	DAMAGED PUSH BUTTON	<input type="checkbox"/>	<input type="checkbox"/>	OIL LEAKS	<input type="checkbox"/>	<input type="checkbox"/>
BEARING NOISE	<input type="checkbox"/>	<input type="checkbox"/>	HOUSING	<input type="checkbox"/>	<input type="checkbox"/>			
SUPPORTING STRUCTURE	YES	NO	AIR SYSTEM	YES	NO	WARNING LABELS	YES	NO
CONTINUED ABILITY TO SUPPORT IMPOSED LOADS	<input type="checkbox"/>	<input type="checkbox"/>	LEAKING	<input type="checkbox"/>	<input type="checkbox"/>	MISSING	<input type="checkbox"/>	<input type="checkbox"/>
WORN OR DISTORTED TROLLEY PARTS	<input type="checkbox"/>	<input type="checkbox"/>	LOOSE CONNECTIONS	<input type="checkbox"/>	<input type="checkbox"/>	ILLEGIBLE	<input type="checkbox"/>	<input type="checkbox"/>
			BROKEN CONTROL PENDANT	<input type="checkbox"/>	<input type="checkbox"/>			

NOTE IF ANY () IS CHECKED DO NOT OPERATE THE HOIST UNTIL REPAIRS HAVE BEEN MADE.

REMARKS AND REPAIRS MADE _____

SIGNATURE _____ DATE _____ CLOCK NUMBER _____

