

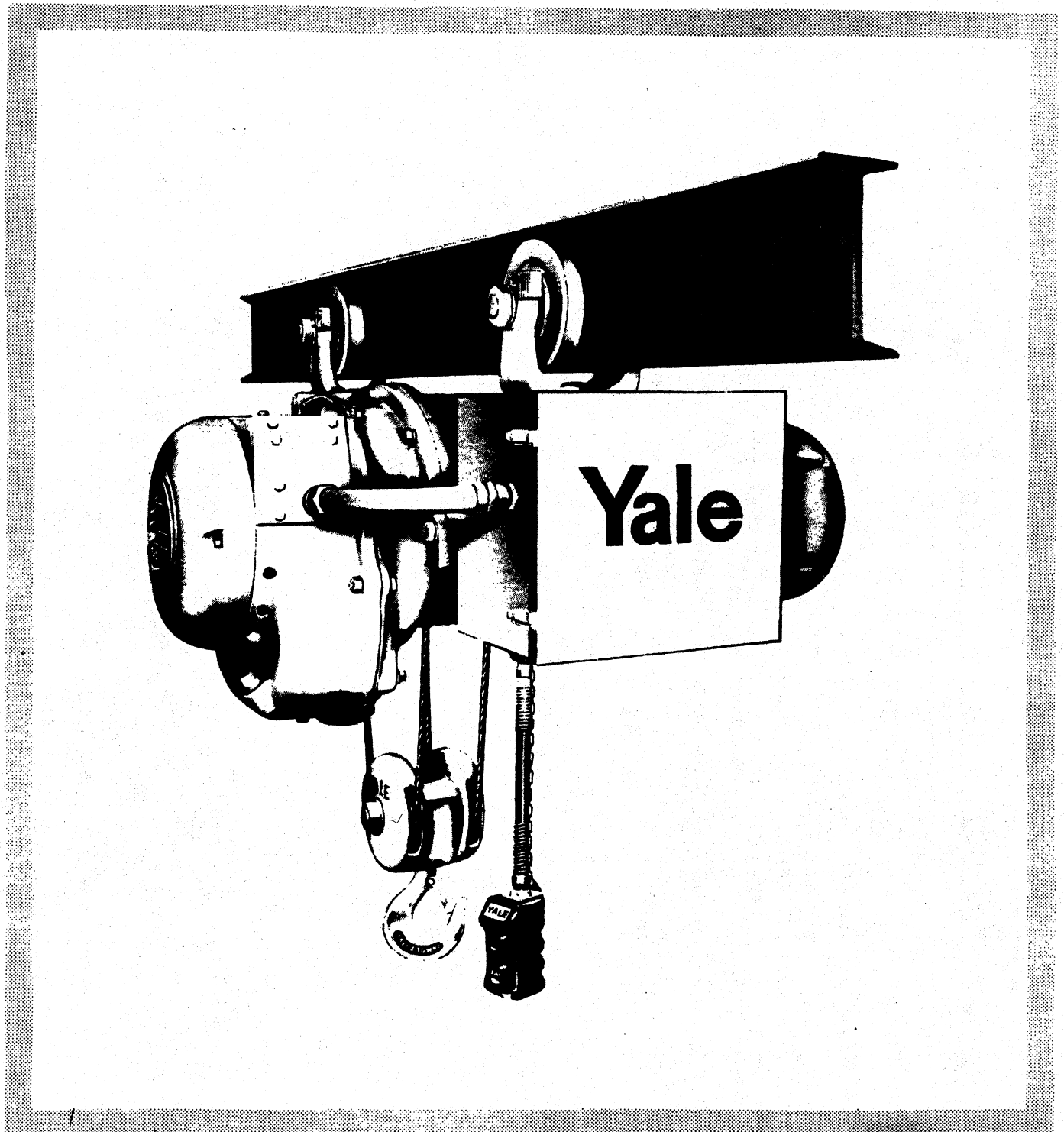
**CE SERIES
ELECTRIC HOISTS**

449A

**Parts and Instruction
Manual**

Yale[®]

HOIST SERIAL NUMBER	"B" CHASSIS
TROLLEY SERIAL NUMBER	_____
YALE ORDER NUMBER	_____
CUSTOMER ORDER NUMBER	_____





CE Series-FEW Series, Wire Rope Electric Hoist

SPARE PARTS MANUAL

IMPORTANT IF MOTOR PARTS ARE REQUIRED GIVE COMPLETE MOTOR NAMEPLATE READING
WHEN ORDERING HOIST PARTS GIVE COMPLETE HOIST NAMEPLATE READING AND NUMBER OF PARTS REQUIRED

Yale®

Capacity, tons _____

Speed, fpm _____

Model _____

Serial No. _____

Volts _____ Phase _____ Hz. _____

Min. Circuit Ampacity _____

Max. Fuse Rating _____

Order no. _____

Yale Industrial Products, Inc.
Highway 1 North
P. O. Box 1000
Forrest City, Arkansas 72335
Telephone (501) 633-2250

CAUTION

NEVER REMOVE PAGES FROM THIS BOOK.

ALWAYS STATE WHETHER PARTS ARE TO BE SHIPPED BY PARCEL POST, EXPRESS OR FREIGHT.

FURNISHING COMPLETE INFORMATION WILL SAVE TIME AND AID US IN SERVING YOU.
SEE REPAIR PARTS ORDERING INFORMATION IN SECTION B.

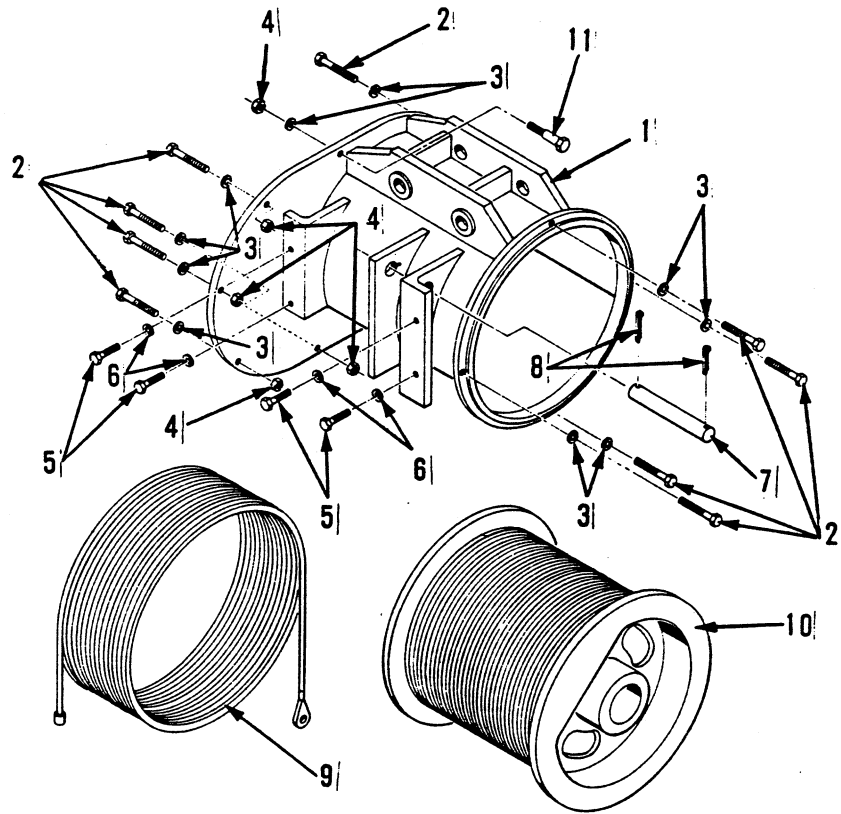
165-901-004

When Replacement Parts Are Needed, Order Only YALE® Factory Engineered Parts



SECTION F
SUSPENSION FRAME, DRUM
AND ROPE ASSEMBLY

CE Series
Suspension Parts PB CHASSIS



SEE REVERSE SIDE FOR TABLED INFORMATION

ITEM NUMBER	PART NUMBER	DESCRIPTION	QTY
1	SEE TABLE 1	SUSPENSION FRAME	1
2	0146386-00	HEX BOLT, 3/8-16	8
3	0150264-00	LOCKWASHER	10
4	0149369-00	HEX NUTS	10
5	0146355-00	HEX BOLTS	4
6	0114121-00	LOCKWASHERS	4
7	0597675-00	ANCHOR PIN	1
8	0102795-00	COTTER PIN	2
9	SEE TABLE 1	ROPE ASSEMBLY	1
10	SEE TABLE 1	DRUM ASSEMBLY	1
11	0116524-00	DOWEL BOLT	2

YD-0418
165-903-021

When Replacement Parts Are Needed, Order Only YALE® Factory Engineered Parts

JULY 1973

SUSPENSION PARTS

SECTION F
SUSPENSION FRAME, DRUM
AND ROPE ASSEMBLY



CE Series
Suspension Parts PB CHASSIS

TABLE 1. PB CHASSIS SUSPENSION PARTS

CAPACITY	LIFT IN FEET	FRAME PART NUMBER	DRUM PART NUMBER	ROPE PART NUMBER	MFG. SERIES
1/2	20	6400167-00	0656360-00	5018290-01	F
1/2	38	6400467-00	0103379-00	5018290-02	F&E
1/2	56	0612664-00	0103461-00	5018290-03	E
1/2	76	0612665-00	0103463-00	5018290-04	E
1	20	6400167-00	0656360-00	5018290-01	F
1	38	6400467-00	0103379-00	5018290-02	F
1	56	0612664-00	0103461-00	5018290-03	E
1	76	0612665-00	0103463-00	5018290-04	E
2	14	6400167-00	0594814-00	5019380-01	F
2	15	6400497-00	0103385-00	6418710-01	F
2	27	6400467-00	0604033-00	5019380-02	F

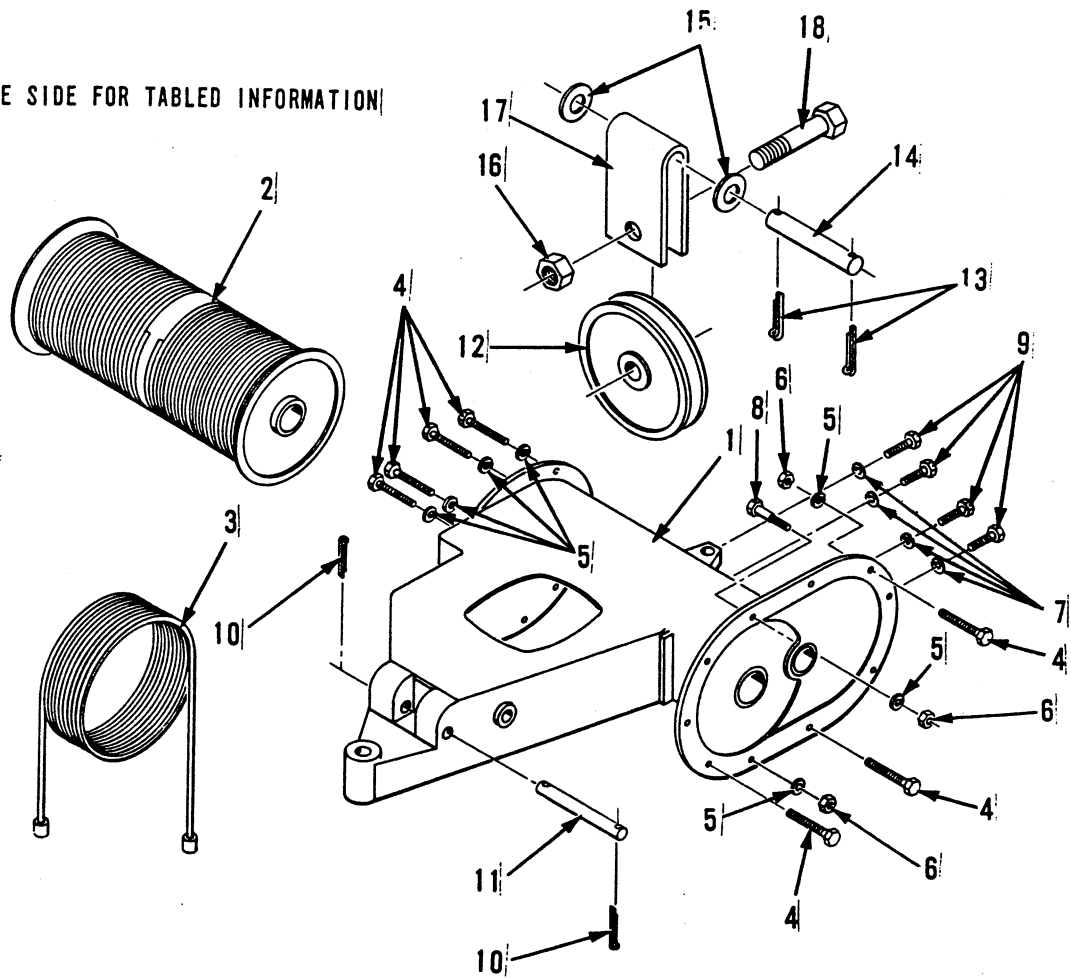
When Replacement Parts Are Needed, Order Only YALE® Factory Engineered Parts



SECTION F
SUSPENSION FRAME, DRUM
AND ROPE ASSEMBLY

CE Series
Suspension Parts LB CHASSIS

SEE REVERSE SIDE FOR TABLED INFORMATION



YD-0420
165-803-023

When Replacement Parts Are Needed, Order Only YALE[®] Factory Engineered Parts

SUSPENSION PARTS

SECTION F
SUSPENSION FRAME, DRUM
AND ROPE ASSEMBLY



CE Series
Suspension Parts LB CHASSIS

ITEM NUMBER	PART NUMBER	DESCRIPTION	QTY
1	SEE TABLE 1	SUSPENSION FRAME	1
2	SEE TABLE 1	DRUM	1
3	SEE TABLE 1	ROPE ASSEMBLY	1
4	0146386-00	HEX BOLT, 3/8 - 16	8
5	0150264-00	LOCKWASHERS	10
6	0149369-00	HEX NUTS	10
7	0114121-00	LOCKWASHERS	4
8	0116524-00	DOWEL BOLT	2
9	0146355-00	HEX BOLTS	4
10	0102795-00	COTTER PIN	2
11	0597675-00	ANCHOR PIN	1
12	0109906-00	SHEAVE, FOR 1/2 AND 1 TON	1
	0597664-00	SHEAVE, FOR 2 TON	1
13	0102811-00	COTTER PIN	2
14	0106908-00	PIN	1
15	0114182-00	WASHER	4
16	0106663-00	NUT	1
17	0103673-00	YOKE, FOR 1/2 AND 1 TON	1
	0597665-00	YOKE, FOR 2 TON	1
18	0109338-00	BOLT	1

TABLE 1. LB CHASSIS SUSPENSION PARTS

CAPACITY	LIFT IN FEET	FRAME PART NUMBER	DRUM PART NUMBER	ROPE PART NUMBER	MFG. SERIES
1/2	18	6400497-00	0103382-00	5018280-07	F
1/2	28	0612662-00	0103464-00	5018280-06	F
1/2	39	0612663-00	0103466-00	5018280-03	E
1	18	6400497-00	0103382-00	5018280-07	F
1	28	0612662-00	0103464-00	5018280-06	F
1	38	0612663-00	0103466-00	5018280-03	E
2	15	6409467-02	0103385-00	6418710-01	F
2	23	6409467-03	0666255-00	6418710-02	F

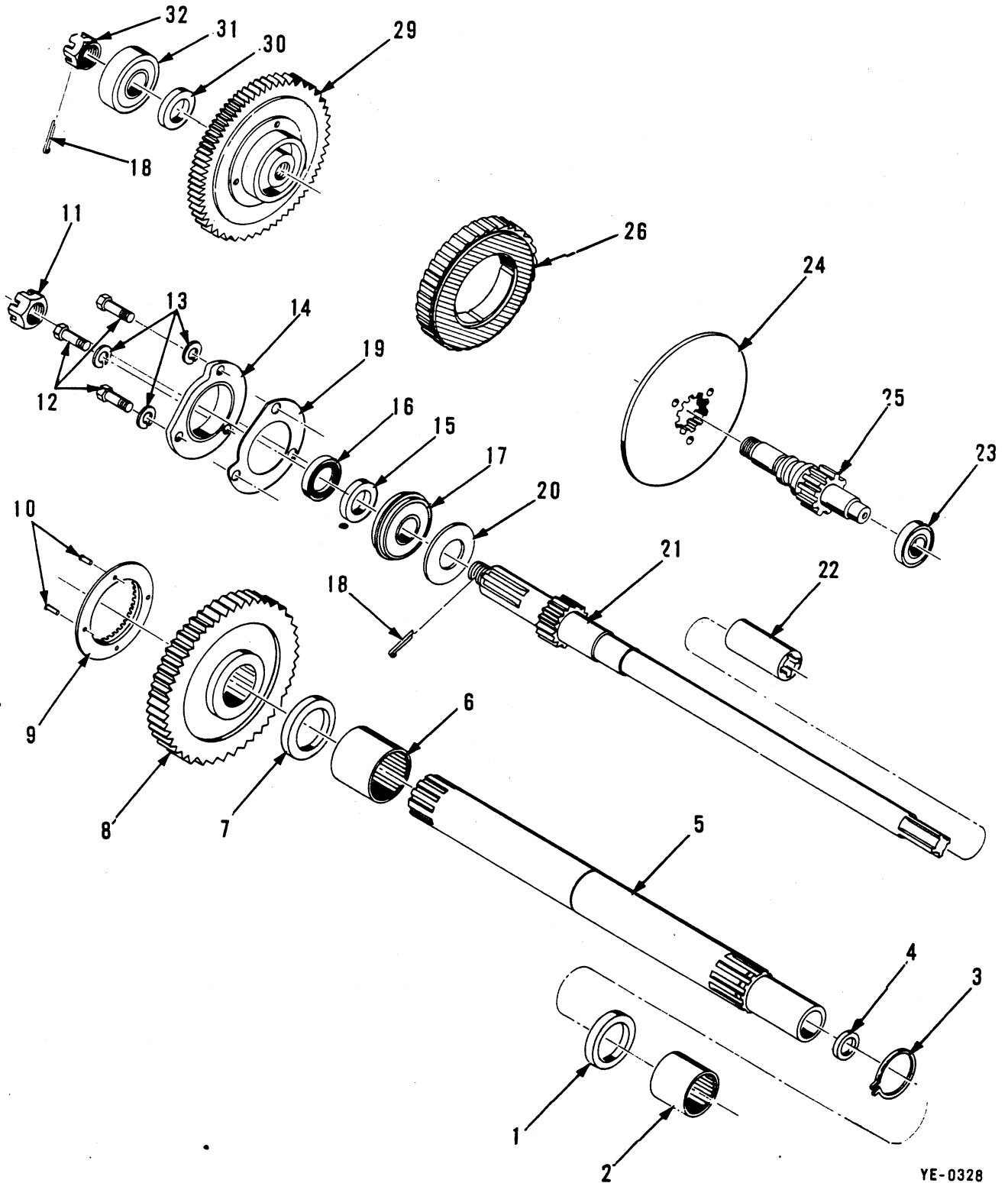
When Replacement Parts Are Needed, Order Only YALE® Factory Engineered Parts

SUSPENSION PARTS



SECTION G
GEAR TRAIN AND
LOAD BRAKE ASSEMBLY

CE Series B CHASSIS
Gear Train And Load Brake Assembly



YE-0328

165-904-002

When Replacement Parts Are Needed, Order Only YALE® Factory Engineered Parts

REVISED NOVEMBER 1976

CE SERIES-B CHASSIS

SECTION GGEAR TRAIN AND
LOAD BRAKE ASSEMBLY**CE Series** B CHASSIS**Gear Train And Load Brake Assembly**

ITEM NUMBER	PART NUMBER	DESCRIPTION	QTY
1	0116130-00	SEAL	1
2	0100904-00	NEEDLE BEARING	1
3	0110013-00	SNAP RING	1
4	0277720-00	SEAL	1
5	SEE TABLE 3	DRUM SHAFT	1
6	0270782-00	NEEDLE BEARING	1
7	0116128-00	SEAL	1
8	SEE TABLE 3	DRUM GEAR	1
9	6410123-00	FACE GEAR	1
10	6400329-07	RIVET	4
11	0106663-00	SLOTTED NUT	1
12	0149366-00	CAP SCREW	3
13	0114121-00	LOCKWASHER	3
14*	0107954-00	RETAINER	1
15*	6411381-00	SPACER	2
16*	0116120-00	SEAL	1
17*	6401969-00	BEARING	1
18	0154203-00	COTTER PIN	2
19*	6441813-00	GASKET	1
20*	6418361-01	OIL SLINGER	1
21		DRIVING PINION	1
22	0116175-00	COUPLING	1
23	0588167-00	BEARING	1
24	SEE TABLE 2	RATCHET DISC	1
25	SEE TABLE 2	PINION	1
26	6415203-00	RATCHET W/LINING	1
29	SEE TABLE 1	HIGH SPEED GEAR	1
30	6411381-00	SPACER	1
31	0100799-00	BEARING	1
32	0106673-00	SLOTTED NUT	1
*	6444790-00	BEARING & RETAINER KIT	

When Replacement Parts Are Needed, Order Only YALE® Factory Engineered Parts

CE-SERIES

REVISED NOVEMBER 1976



SECTION G
GEAR TRAIN AND
LOAD BRAKE ASSEMBLY

CE Series B CHASSIS
Gear Train And Load Brake Assembly

TABLE 1 - HIGH SPEED GEAR

ITEM NUMBER	PART NUMBER	NUMBER OF TEETH	GEAR RATIO
29	6418054-00	98	78.5-1
29	6418324-00	94	43.6-1
29	6418334-00	88	28.6-1
29	6447344-00	97	57.3-1

TABLE 2 - INTERMEDIATE PINION AND RATCHET DISC

OBSOLETE PINION ASSEMBLY	REPLACED BY INTERMEDIATE PINION	NUMBER OF TEETH	RATCHET DISC	GEAR RATIO
6418044-00	0585800-00	10		78.5-1
6418314-00	0104563-00	12	6415253-00	57.5-1, 43.6-1 & 28.6-1
		10	6440994-00	
		12		

When Replacement Parts Are Needed, Order Only YALE[®] Factory Engineered Parts

REVISED NOVEMBER 1976

CE-SERIES

SECTION GGEAR TRAIN AND
LOAD BRAKE ASSEMBLY
CE Series B CHASSIS
Gear Train And Load Brake Assembly
TABLE 3 - SLOW SPEED GEAR AND DRUM SHAFT ASSEMBLY*
 (NOT SOLD SEPERATELY)

ASSEMBLY NUMBER	DRUM SHAFT	LENGTH INCHES	DRUM GEAR
<input type="checkbox"/> 6454754-01	0103627-00	10 3/4	0104464-00
<input type="checkbox"/> 6454754-02	0103628-00	17	0104464-00
<input type="checkbox"/> 6454754-03	0103635-00	23	0104464-00
<input type="checkbox"/> 6454754-04	0103633-00	29 3/4	0104464-00
<input type="checkbox"/> 6454754-05	0103627-00	10 3/4	0583999-00
<input type="checkbox"/> 6454754-06	0103628-00	17	0583999-00
<input type="checkbox"/> 6454754-07	0103635-00	23	0583999-00
<input type="checkbox"/> 6454754-08	0103633-00	29 3/4	0583999-00
<input type="checkbox"/> 6454754-31	0103656-00		0104464-00

* Also Includes Items 9 & 10 (Face Gear & Rivets).

When Replacement Parts Are Needed, Order Only YALE® Factory Engineered Parts



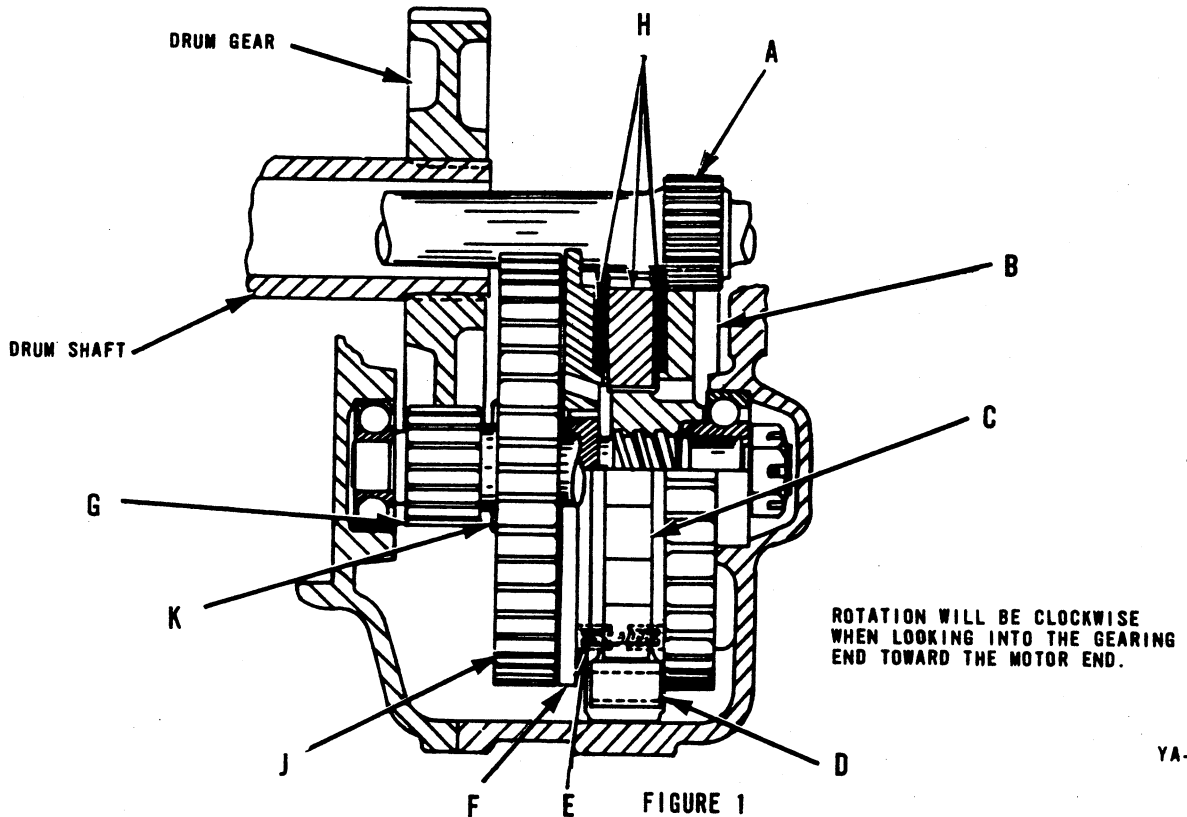
Operation Description And Maintenance Of YALE Load Brake

Purpose

The main purpose of the Yale 'Weston Screw and Disc Type' load brake is to control the lowering speed of the hoist. Its secondary purpose is to act as an auxiliary brake.

Operation

The load brake functions regardless of whether the current is on or off when lowering. When the current is off the load pulls in a counter-clockwise direction on the slow speed gear and screws the brake up tight locking all the parts of the load brake together. A pawl engages the ratchet gear and disc assembly holding the load stationary when the pull is in this direction. The greater the load, the more definite the locking action.



When hoisting in the up direction, power from the motor is applied through the driving pinion A to the high speed gear B. This gear with its threaded hub screws clockwise and all of the brake parts become tight and move as a unit in the clockwise direction.

NOTE: ROTATION WILL BE CLOCKWISE WHEN LOOKING INTO THE GEARING END TOWARD THE MOTOR END.

When Replacement Parts Are Needed, Order Only YALE[®] Factory Engineered Parts

REVISED NOVEMBER 1976

165-904-003

CE SERIES

SECTION G

GEAR TRAIN AND LOAD BRAKE ASSEMBLY



Movement is free because the ratchet gear and disc assembly C is moving clockwise and it can rotate without its teeth engaging the pawl D. In this direction of rotation, the pawl is held away from the ratchet by a spring loaded friction button E which is part of the pawl assembly and presses outward simultaneously on the ratchet disc F and the high speed gear B. As the load brake rotates in this direction it tends to drag the spring loaded button with it causing the pawl to ride over the ratchet teeth ready to catch and hold the pawl the instant the load starts to lower. The load brake is completely locked when operating in this direction.

When lowering the driving pinion reverses the direction of the high speed gear, turning it counter-clockwise. This unscrews the high speed gear and loosens the load brake. At the same time the load is pulling through the gear train in a clockwise direction on the intermediate pinion K trying to tighten the brake. This interaction is constantly going on when the hoist is lowering. In a smoothly operating load brake the motor uses about one-third to one-half of its rated horsepower to drive the load down by keeping a satisfactory adjustment on the brake between the open and closed position. This operation must be just fast enough to keep the pull of the load from getting ahead and closing the brake. The load is always under control as it is the drive of the motor which lowers it while its own weight always works to close the brake.

In this lowering operation friction holds the load as the brake is just slightly open. The ratchet gear and disc assembly is held stationary by the ratchet pawl, while the high speed gear revolves. The brake discs H are bonded to the ratchet gear to form the ratchet gear and disc assembly C. The friction of the high speed gear B and reaction disc F against the stationary ratchet gear and disc assembly, with the aid of oil lubrication, produces a positive hold action permitting easy and gradual lowering.

The instant the down button is released, the high speed gear becomes stationary because the motor brake holds the driving pinion stationary and the pull of the load closes the brake as it is held by the ratchet pawl.

When the hoist lowers without a load, the high speed gear opens the brake and drives the hook down directly through the gear train. Only the friction of the normally operating gears interferes with free action and therefore such lowering is usually slightly faster than lowering with a load.

The operation of the load brake is separate from the hoisting mechanism, therefore, there is no loss of power in overcoming friction holding the load.

Load Brake Maintenance

The operation of the load brake provides automatic adjustment for wear of the brake discs. The only maintenance normally necessary is infrequent replacement of the ratchet gear and disc assembly. To check operation of load brake, See instructions in paragraphs on daily, monthly and annual inspection in preventive maintenance schedule (Section B).

When Replacement Parts Are Needed, Order Only YALE® Factory Engineered Parts

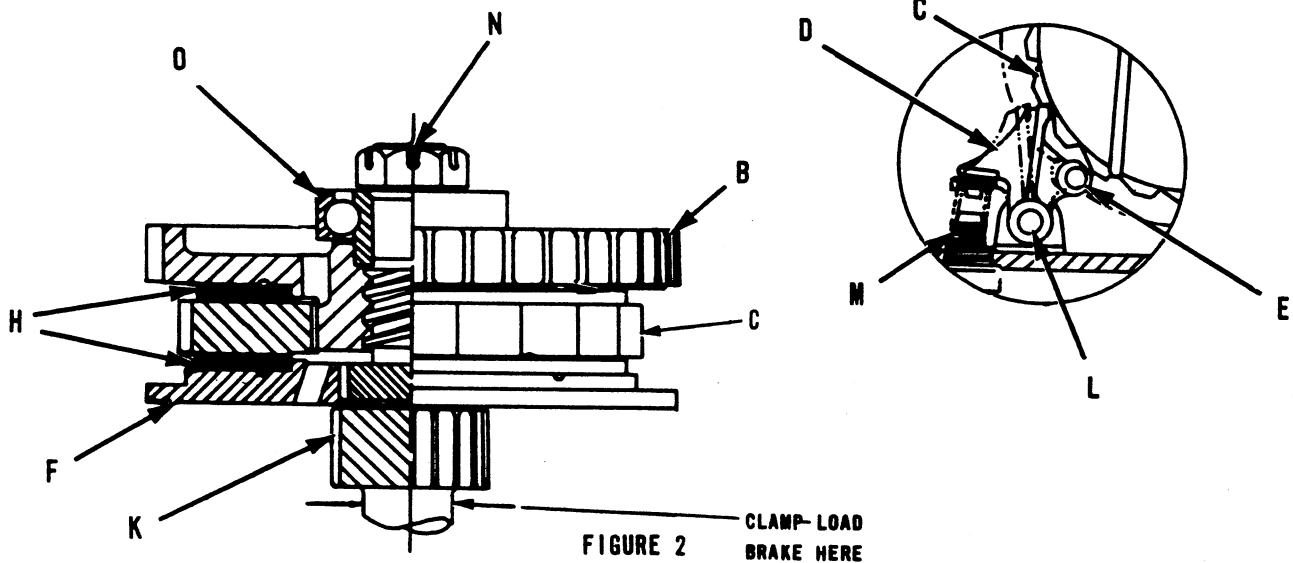


Load Brake Removal

- 1- Remove load.
- 2- Disconnect hoist at power supply.
- 3- Disconnect the two solenoid wires that lead to the motor brake solenoid.
- 4- Remove the drain plug at the bottom of the gear case cover and drain the oil into a can or bucket (two quart size is sufficient). **CAUTION - DO NOT REMOVE PAWL PLUG AT THIS TIME.**
- 5- Remove the eight hex head cap screws and two dowel bolt nuts holding the gear case cover to the gear case. Drive a sharp instrument between these two parts and pry the gear case cover off.

The intermediate gear J and the slow speed pinion G can now be lifted out. On all hoists that do not have a cotter pin through the pawl and ratchet pawl pin, the pawl may be removed by removing the ratchet pawl pin L and then the pawl with spring loaded friction buttons E, keeping a hand over the buttons so they will not spring out.

On all hoists that do have a cotter pin through the ratchet pawl pin and pawl, the pawl need not be removed. On these hoists remove the pawl stop spring and pull pawl away from between the ratchet disc and gear with the flat of hand over the friction buttons as they will spring out when disengaged.



YA-0247

165-904-004

When Replacement Parts Are Needed, Order Only YALE[®] Factory Engineered Parts

REVISED NOVEMBER 1976

CE SERIES

SECTION G
GEAR TRAIN AND
LOAD BRAKE ASSEMBLY



Load Brake Disassembly

After either one of the two preceding operations has been accomplished it is now possible to lift out the complete load brake. Place the load brake in a vise and tighten jaws over the shoulder below the intermediate pinion K. Load brake is now ready for disassembly in the following manner.

- 1- Remove the cotter pin from the castellated nut and remove nut.
- 2- Remove the high speed gear B.
- 3- Take off ratchet gear and disc assembly noting the direction the ratchet teeth are facing.

Before replacing the Ratchet Gear and Disc assembly and the high speed gear, make sure all dirt or foreign material is cleaned off.

Load Brake Re-assembly

- 1- Place the ratchet gear and disc assembly on the shaft, then thread the gear on tight.
 - 2- Place spacer and bearing on the end of the shaft and press it down into the ground recess in the gear.
 - 3- Tighten the castellated nut down on the bearing. Then back the nut off slowly until the first castellation lines up with the hole drilled in the shaft and slip cotter pin through this hole. Open the brake and check the adjustment by turning the ratchet gear and disc assembly. If properly adjusted it should turn freely. Bend the cotter pin around nut and cut off any excess.
- The assembled load brake can now be put back into gear case cover.

Load Brake Installation

- 1- Insert the load brake in the gear case cover.
- 2- On all hoists that have a cotter pin through the pawl and ratchet pawl pin, take one button, then the spring, then the second button and slide them through the pawl in that order holding a finger over the bottom of the pawl so the buttons will not slide out. Press hard on buttons so as to compress the spring sufficiently enough to be able to slide the complete pawl in between ratchet disc and high speed gear. Replace the pawl stop spring.

On all hoists that do not have a cotter pin through the pawl and ratchet pawl pin, assemble the pawl with buttons and friction spring. Spin the load brake around so that when installed the pawl will engage a ratchet tooth. Line up pawl between the lugs and slide in ratchet pawl pin. Press hard on the buttons so as to compress the spring sufficiently enough to be able to slide the complete pawl in between the ratchet disc and high speed gear. Replace the pawl stop spring.

Lubrication

SEE SECTION B

When Replacement Parts Are Needed, Order Only YALE[®] Factory Engineered Parts

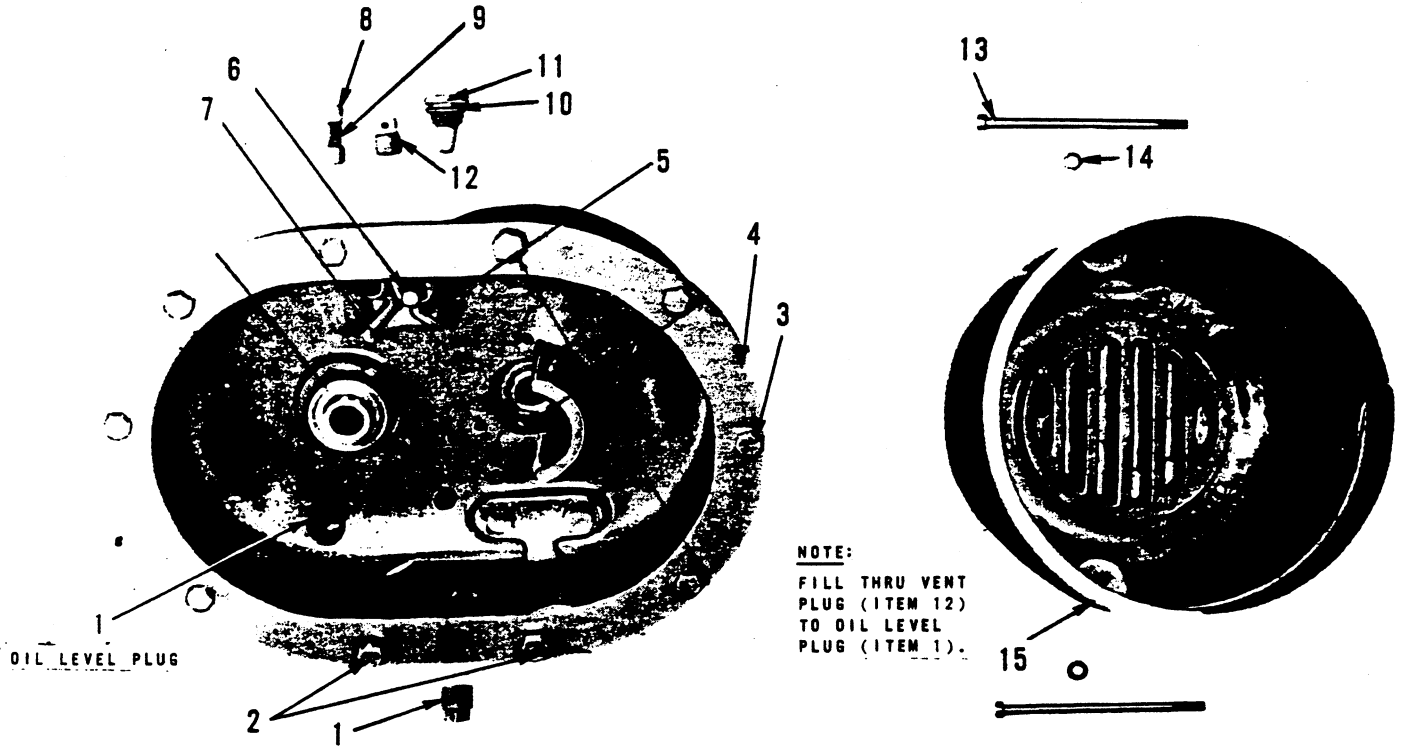
CE SERIES

REVISED NOVEMBER 1976



SECTION H
GEAR CASE, COVER
AND HOIST END COVER

CE Series
Gear Case, Cover And Hoist End Cover



ITEM NUMBER	PART NUMBER	DESCRIPTION	QTY
1	0230810-00	FILLER AND DRAIN PLUG	2
2	0116530-00	DOWEL BOLT (LB Chassis)	2
	0116524-00	DOWEL BOLT (PB And XB Chassis)	2
	0150264-00	LOCKWASHER	2
	0106633-00	NUT	2
3	0597191-00	BOLT	8
	0150264-00	LOCKWASHER	8
	0106633-00	NUT	8
4	0603378-00	GEAR CASE	1
5	0110562-00	PAWL STOP SPRING	1
6	0106912-00	PAWL PIN	1
7	0106822-00	PAWL	1
8	0107993-00	SPRING RETAINER	2
9	0110555-00	SPRING	1
10	0104013-00	PAWL STOP GASKET	1
11	0106849-00	PAWL STOP	1
12	0107171-00	VENT PLUG	1
13	2031444-00	FILLISTER HEAD SCREW	2
14	0150308-00	LOCKWASHER	2
15	0102896-00	HOIST END COVER	1

YA-0329

165-905-001

When Replacement Parts Are Needed, Order Only YALE® Factory Engineered Parts

REVISED NOVEMBER 1976

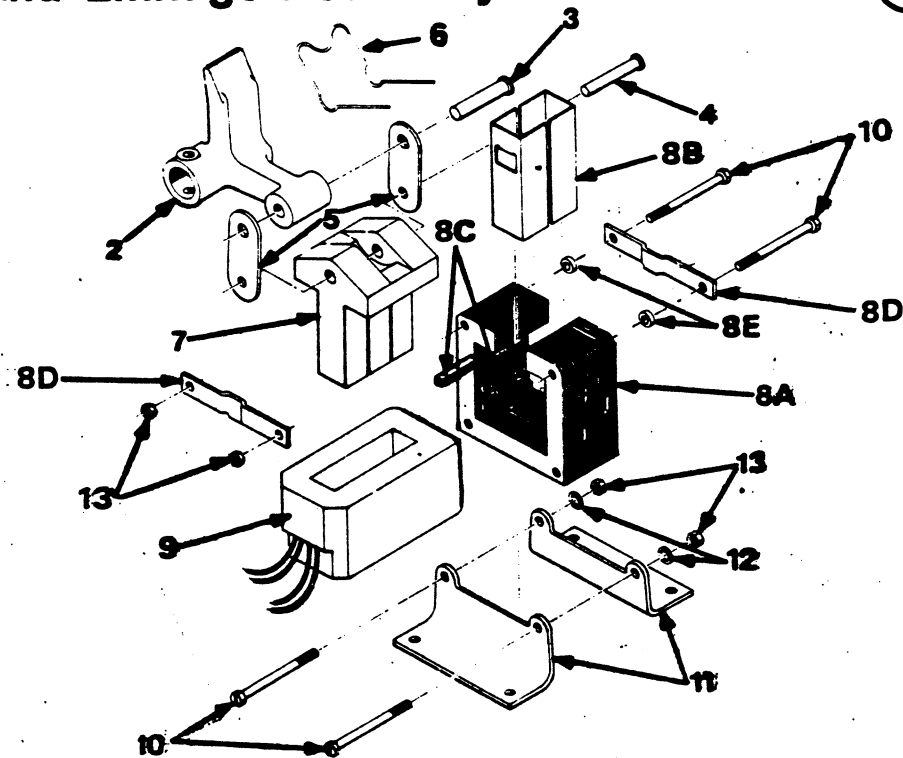
CE SERIES-B CHASSIS

Yale Hoisting Equipment

CE Series

Solenoid And Linkage Assembly

1



YA-0294

THE FOLLOWING PARTS ARE COMMON TO THE ASSEMBLIES LISTED ON BACK SIDE OF THIS PAGE.

ITEM NUMBER	DESCRIPTION	B CHASSIS	C CHASSIS	D CHASSIS	E CHASSIS	QTY.
1*	PLUNGER & LINKAGE ASSY.	6437533-00	6424243-00	6424263-00	6424253-00	1
2	SOLENOID LEVER	0105172-00	0105230-00	0105230-00	0227065-00	1
3	PIN, SOL. LEVER	0106982-00	6415211-01	6415211-02	6415211-02	1
4	PIN, SOL. PLUNGER	0106982-00	0106982-00	6415191-00	6415191-00	1
5	LINK	6415241-01	6415241-02	6415241-02	6415241-03	2
6	SPRING		6437378-01	6437378-02	6450798-00	1
7	PLUNGER	6443088-00	6443088-00	6443098-00	6443098-00	1
8*	FRAME	6424223-00	6424223-00	6424233-00	6424233-00	1
8A	CORE	6458991-07	6458991-07	6458991-08	6458991-08	1
8B	COIL LINER	6458991-01	6458991-01	6458991-02	6458991-02	2
8C	COIL WEDGE	6458991-03	6458991-03	6458991-04	6458991-04	2
8D	LINER BRACKET	6458991-06	6458991-06	6458991-06	6458991-06	2
8E	BRACKET WASHER	6458991-05	6458991-05	6458991-05	6458991-05	4
9	COIL	SEE TABLE	SEE TABLE	SEE TABLE	SEE TABLE	1
10	HEX BOLT	2032094-00	2032094-00	2032097-00	2032097-00	2
11	MTG. BRACKET				6434584-01	1
	MTG. BRACKET				6434584-02	1
	MTG. BRACKET		6426473-02			2
	MTG. BRACKET	6426473-01		6426473-01		2
12	FLAT WASHER	0161035-00	0161035-00	0161035-00	0161035-00	2
13	STOVER NUT	5020979-08	5020979-08	5020979-08	5020979-08	2

*We Recommend Replacing The Frame With The Plunger And Linkage Assembly, Should Either Part Need Replacement.

185-908-001

When Replacement Parts Are Needed, Order Only Yale® Factory Engineered Parts

REVISED JANUARY 1960

CE SERIES

CE Series Solenoid And Linkage Assembly

B CHASSIS
 C CHASSIS
 D CHASSIS
 E CHASSIS

COMPLETE SOLENOID INCLUDING COIL	COMPLETE SOLENOID INCLUDING COIL	COMPLETE SOLENOID INCLUDING COIL	COMPLETE SOLENOID INCLUDING COIL	OPERATING CURRENT	INSUL	COIL TABLE	
						B & C CHASSIS COIL ONLY	D & E CHASSIS COIL ONLY
6440634-01	6439644-01	6439654-01	6439664-01	115-60	B	6430314-01	6430334-01
02	02	02	02	200-60	B	02	02
03	03	03	03	230-60	B	03	03
04	04	04	04	460-60	B	04	04
05	05	05	05	230/460-60	B	05	05
06	06	06	06	575-60	B	06	06
07	07	07	07	110-50	B	07	07
08	08	08	08	220-50	B	08	08
09	09	09	09	440-50	B	09	09
10	10	10	10	110-25	B	10	10
11	11	11	11	220-25	B	11	11
12	12	12	12	440-25	B	12	12
13	13	13	13	120-DC	B	13	13
14	14	14	14	240-DC	B	14	14
15	15	15	15	480-60	B	15	15
16	16	16	16	115-60	H	16	16
17	17	17	17	200-60	H	17	17
18	18	18	18	230-60	H	18	18
19	19	19	19	460-60	H	19	19
20	20	20	20	230/460-60	H	20	20
21	21	21	21	575-60	H	21	21
22	22	22	22	110-50	H	22	22
23	23	23	23	220-50	H	23	23
24	24	24	24	440-50	H	24	24
25	25	25	25	110-25	H	25	25
26	26	26	26	220-25	H	26	26
27	27	27	27	440-25	H	27	27
28	28	28	28	120-DC	H	28	28
29	29	29	29	240-DC	H	29	29
30	30	30	30	480-60	H	30	30
31	31	31	31	500-60	B	31	31
32	32	32	32	500-60	H	32	32

ALL D.C. SOLENOIDS - IN ADDITION TO THE ABOVE FURNISH "B" CHASSIS ONLY - B/M 6485110-00
 CONSISTING OF (1) 6427713-00 BRKT.
 (1) 0105873-00 SWITCH CONTACT

C, D & E CHASIS - B/M 6480710-00 CONSISTING OF (1) 0101721-00 BRKT.
 (1) 0105873-00 SWITCH CONTACT
 (2) 0150308-00 WASHER
 (3) 0653541-00 TERMINAL
 (2) 2031426-00 SCREW

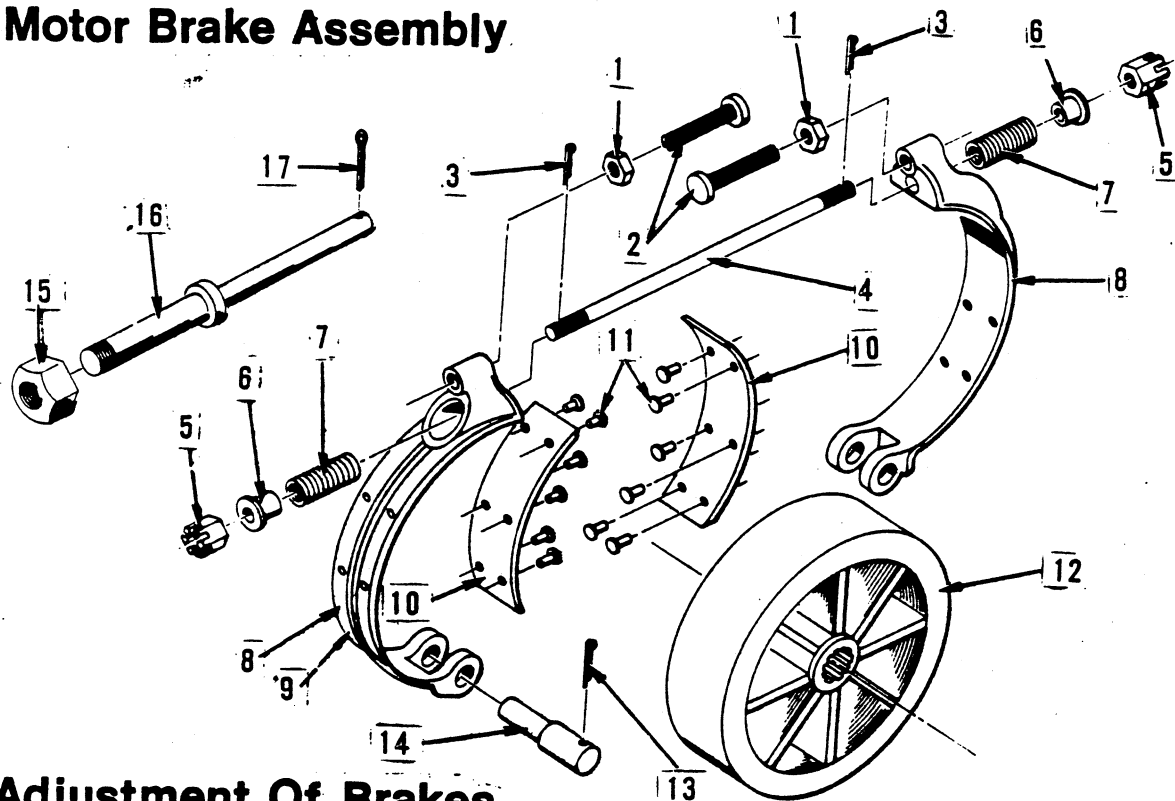
When Replacement Parts Are Needed, Order Only YALE® Factory Engineered Parts

CE SERIES

REVISED JANUARY 1980



CE Series FOR B, C AND D CHASSIS
Motor Brake Assembly



YA-0331

Adjustment Of Brakes

If the load block does not come to a quick stop, the solenoid brake should be adjusted as follows:

- (1) Remove the lower, Louvered cover on the gear end.
- (2) Loosen both jam nuts with an open end wrench.
- (3) With the open end wrench hold the motor brake shaft in the position it would take if the solenoid was energized and the brake was open.
- (4) Using a screw driver, turn the adjusting screws until the brake lining just makes contact with the brake drum.
- (5) Remove wrench from the motor brake shaft and retighten jam nuts while holding brake adjusting screws stationary with the screw driver.

If greater braking is desired tighten the spring tension, but make sure that the spring does not bottom when the brake is fully released. When the hoist is operated the solenoid should immediately snap into the released position.

If the solenoid action is sluggish or does not release, check the action of the plunger for rust or other conditions that might cause a bind. The solenoid may be removed for inspection by taking out four bolts and pulling the solenoid straight out. The plunger will remain in the hoist.

The oil immersed load brake inside the gear housing is automatic in its action and does not require adjustment.

Silver electrical contacts should not be lubricated and should not be filed or dressed for normal operation even though they may become darkened in appearance, because silvered surfaces remain good conductors. The greatest normal life will be obtained if the contacts are not touched until replacement is required.

165-907-007

When Replacement Parts Are Needed, Order Only YALE[®] Factory Engineered Parts

REVISED OCTOBER 1978

CE SERIES

SECTION J

MOTOR BRAKE ASSEMBLY


CE Series FOR B, C AND D CHASSIS
Motor Brake Assembly
 * B CHASSIS PARTS LISTING - COMPLETE BRAKE SHOE ASM 0588184-00 ***

ITEM NUMBER	PART NUMBER	DESCRIPTION	ITEM NUMBER	PART NUMBER	DESCRIPTION
1	0106628-00	JAM NUT	9	****	BRAKE SHOE
2	0109532-00	ADJUSTING SCREW	10	0102516-00	BRAKE LINING
3	0102775-00	COTTER PIN	11	0521576-00	RIVET
4	0100951-00	DOUBLE END STUD	12	0568265-00	BRAKE DRUM
5	0106612-00	SLOTTED NUT	13	0102806-00	COTTER PIN
6	0107986-00	SPRING RETAINER	14	0110691-00	BRAKE SHOE STUD
7	0301031-00	BRAKE SPRING	15	0106648-00	HEX NUT
8**	0102593-00	BRAKE SHOE ASSEMBLY	16	0110697-00	OPERATING LEVER STUD
		17	0102782-00		COTTER PIN

 * C CHASSIS PARTS LISTING - COMPLETE BRAKE SHOE ASM 0102586-00 ***

ITEM NUMBER	PART NUMBER	DESCRIPTION	ITEM NUMBER	PART NUMBER	DESCRIPTION
1	B106646-00	JAM NUT	8**	0102594-00	BRAKE SHOE ASSEMBLY
2	0109529-00	ADJUSTING SCREW	9	****	BRAKE SHOE
3	0102782-00	COTTER PIN	10	0102511-00	BRAKE LINING
4	0100949-00	DOUBLE END STUD	11	0521576-00	RIVET
5	0106626-00	SLOTTED NUT	12	0568266-00	BRAKE DRUM
6	0107984-00	SPRING RETAINER	13	0102821-00	COTTER PIN
7	0110570-00	SPRING	14	0110694-00	BRAKE SHOE STUD

 * D CHASSIS PARTS LISTING - COMPLETE BRAKE SHOE ASM 0589633-00 ***

ITEM NUMBER	PART NUMBER	DESCRIPTION	ITEM NUMBER	PART NUMBER	DESCRIPTION
1	B106646-00	JAM NUT		0110652-00	BRAKE SPRING (Special)
2	0109529-00	ADJUSTING SCREW			
3	0102782-00	COTTER PIN	8**	0102595-00	BRAKE SHOE ASSEMBLY
4	0100942-00	DOUBLE END STUD	9	****	BRAKE SHOE
5	0106626-00	SLOTTED NUT	10	0102506-00	BRAKE LINING
6	0107984-00	SPRING RETAINER	11	0149722-00	RIVET
7	0110570-00	BRAKE SPRING (Standard)	12	0102419-00	BRAKE DRUM
		13	0102821-00		COTTER PIN
		14	0110694-00		BRAKE SHOE STUD

* Use Parts Group Checked And Quantities As Required.

** Item 8 Includes Items 9,10 and 11.

*** INCLUDES ITEMS 1, 2, 3, 4, 5, 6, 7, AND 8

**** Item #9 available as part of item #8

When Replacement Parts Are Needed, Order Only YALE[®] Factory Engineered Parts

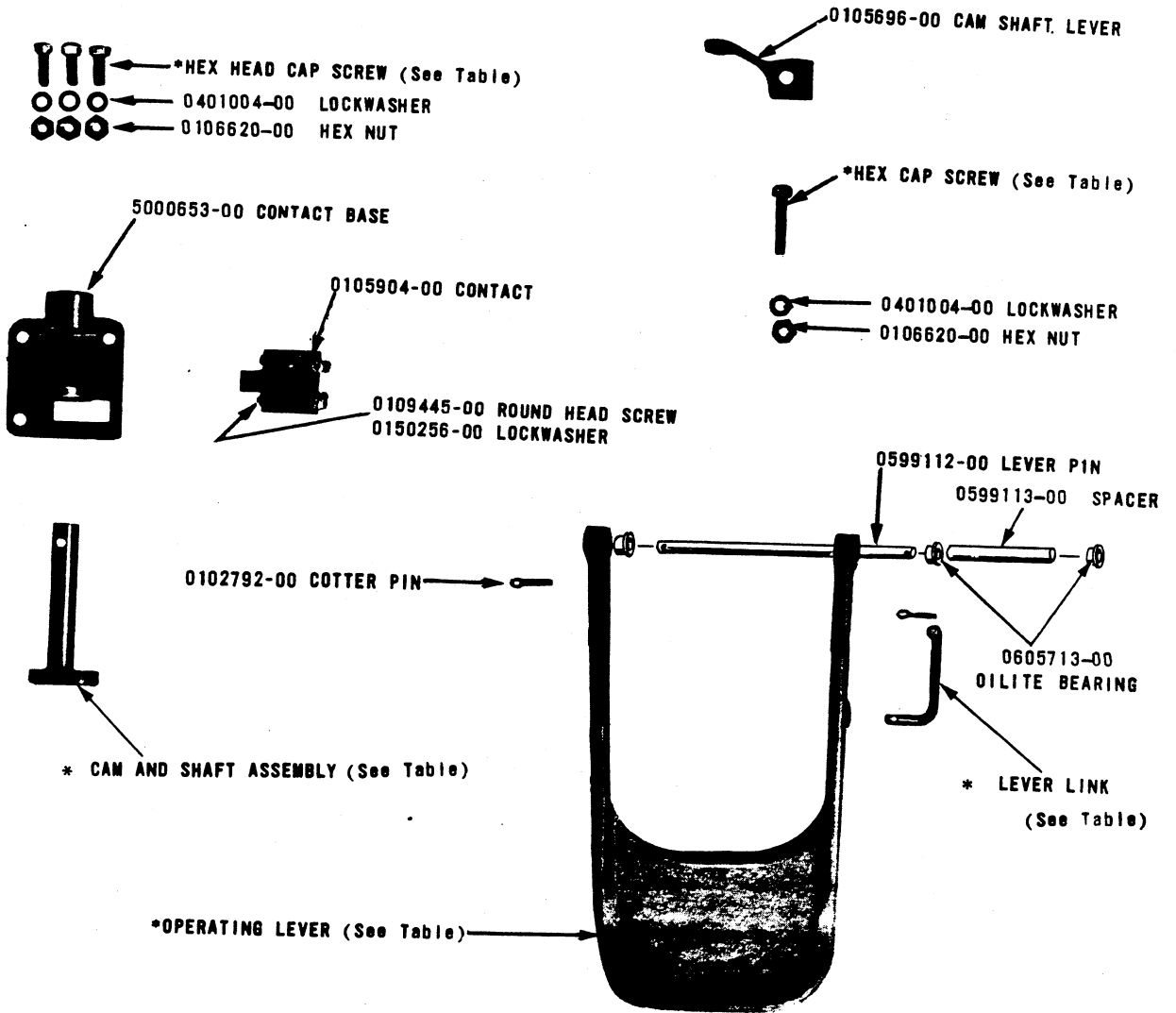
CE SERIES

REVISED MARCH 1977



SECTION K
LIMIT SWITCH ASSEMBLIES

CE Series
LIMIT SWITCH ASSEMBLY FOR
STANDARD HEADROOM



FORM 165-908-021

When Replacement Parts Are Needed, Order Only YALE[®] Factory Engineered Parts

SEPTEMBER 1976

CE SERIES-B CHASSIS



SECTION K
LIMIT SWITCH ASSEMBLIES

CE Series Limit Switch Assembly

ITEM NUMBER	PART NUMBER	DESCRIPTION	QTY
	500065300	BASE, CONTACT	1
	060103900	GASKET, BASE, CONTACT	1
	040100400	LOCKWASHER 5/16 BASE, CONTACT	3
	010662000	NUT, HEX 5/16 - 18 BASE, CONTACT	3
	010590400	CONTACT	1
	010944500	SCREW 8-32+5/8, CONTACT	2
	015025600	LOCKWASHER, CONTACT	2
	010569600	LEVER, CAM SHAFT	1
	040100400	LOCKWASHER 5/16, LEVER	1
	010662000	NUT, HEX 5/16-18, LEVER	1
	059911200	PIN, OPER. LEVER	1
	059911300	SPACER, OPER. LEVER PIN	1
	060571300	BEARING, OILITE, LEVER PIN	3
	010279200	PIN, COTTER 1/8+3/4 OPER. LEVER	2
	010279200	PIN, COTTER 1/8+3/4 LEVER LINK	2

TABLE

ASSEMBLY NUMBER	<input type="checkbox"/>	<input type="checkbox"/>	<input type="checkbox"/>	<input type="checkbox"/>
	059914800	060406400	061269300	061269400
LEVER OPER.	010513100	060403200	010524100	010516300
BOLT, BASE	059716300	059716200	059716200	059716200
CAM & SHAFT	010570400	010570400	010570400	010570400
BOLT C/S LEV	061948500	014669900	014669900	014669900
LINK, LEVER	010572500	010572500	010572500	010572500

TABLE

ASSEMBLY NUMBER	<input type="checkbox"/>	<input type="checkbox"/>	<input type="checkbox"/>	<input type="checkbox"/>
	063345800	065023300	062816600	065837100
LEVER OPER.	010513100	060403200	010524100	010516300
BOLT, BASE	010926000	059716200	059716200	059716200
CAM & SHAFT	010584500	010584500	010584500	010584500
BOLT C/S LEV	061948500	014669900	014669900	014669900
LINK, LEVER	010582300	010582300	010582300	010582300

When Replacement Parts Are Needed, Order Only YALE® Factory Engineered Parts



SECTION K
LIMIT SWITCH ASSEMBLIES

C E Series
LIMIT SWITCH ASSEMBLY FOR LB-LC CHASSIS

- 0109508-00 BOLT
- 0401004-00 LOCKWASHER
- 0106620-00 NUT

- 0105904-00 CONTACT
- 0105707-00 BRACKET
- 0150308-00 LOCKWASHER
- 0109482-00 ROUND HEAD SCREW
- 0109445-00 ROUND HEAD SCREW
- 0150256-00 LOCKWASHER

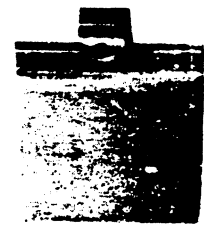
- 0105828-00 CASING
- 0104117-00 GASKET
- 0109451-00 ROUND HEAD SCREW
- 0150256-00 LOCKWASHER
- 0102901-00 COVER

- 0102795-00 COTTER PIN
- 0144735-00 WASHER
- *CAM AND SHAFT ASSEMBLY (See Table)



*OPERATING LEVER (See Table)

- 0146899-00 BOLT
- 0401004-00 LOCKWASHER
- 0106620-00 HEX NUT



*OPERATING LEVER (See Table)

ASSEMBLY NUMBER	<input type="checkbox"/> 010549200	<input type="checkbox"/> 010547300	<input type="checkbox"/> 010546800	<input type="checkbox"/> 644213000
OPERATING LEVER	010517300	010516600	010518300	010520000
CAM & SHAFT	010574000	010573300	010579600	010580500

FORM 165-908-022

When Replacement Parts Are Needed, Order Only YALE[®] Factory Engineered Parts

REVISED SEPTEMBER 1976

LB-LC CHASSIS

SECTION K

LIMIT SWITCH ASSEMBLIES

**C E Series**

LIMIT SWITCH ASSEMBLY FOR LB-LC CHASSIS

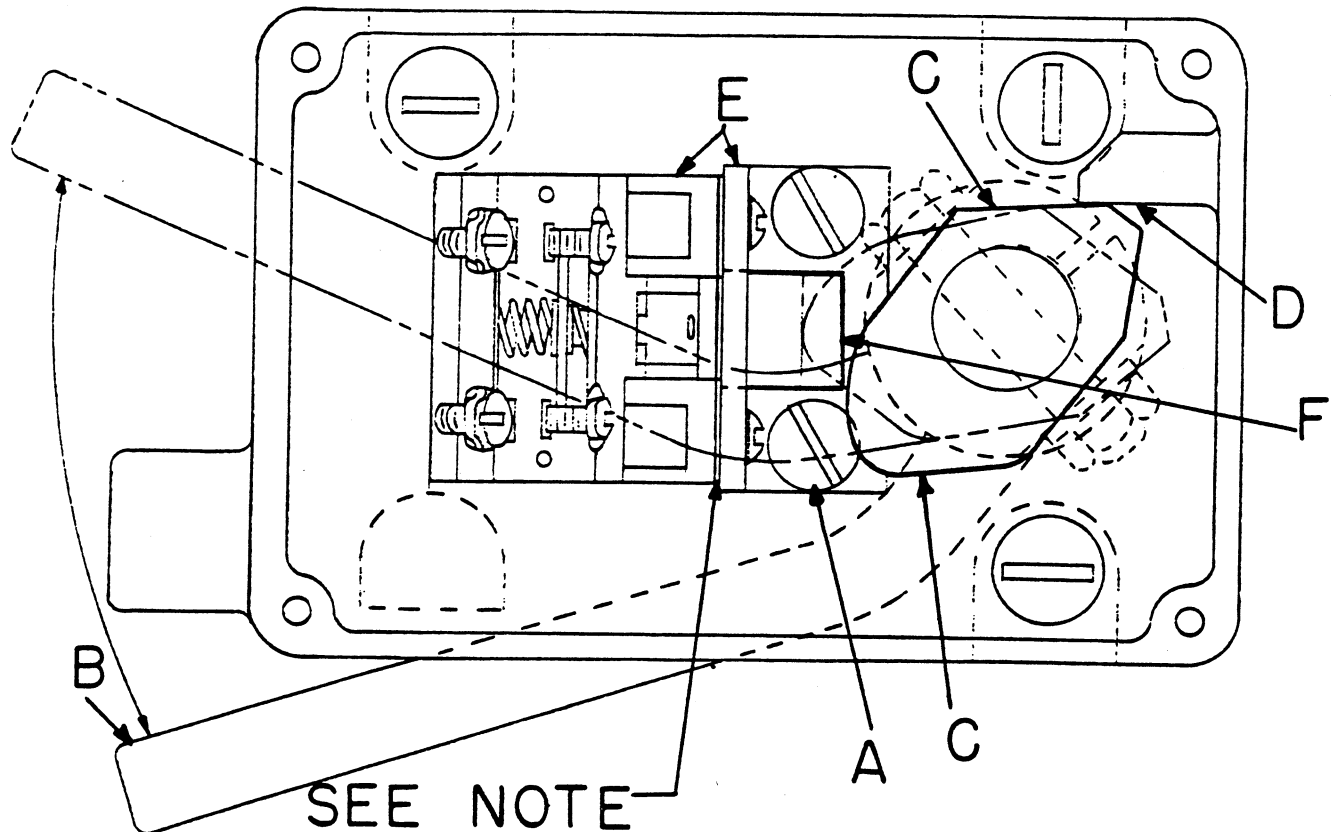
PART #	DESCRIPTION	QTY
010950800	BOLT 5/16"-18 x 1"	3
040100400	LOCKWASHER 5/16"	4
010662000	NUT, HEX 5/16"-18	4
010582600	CASING, LIMIT SWITCH	1
010411700	GASKET, CASING	1
010290100	COVER, CASING	1
015025600	LOCKWASHER #10	4
010945100	SCREW 10/32" x 1/4"	4
010590400	CONTACT BUTTON	1
010570700	BRACKET	1
015030800	LOCKWASHER 1/4", BRACKET	2
010948200	SCREW 1/4"x1/2", BRACKET	2
015025600	LOCKWASHER #10, CONTACT BUTTON	2
010944500	SCREW #8-32x5/8" CONTACT BUTTON	2
010279500	PIN. COTTER 1/8x1 1/4, CAM & SHAFT	1
014473500	WASHER, CAM & SHAFT	2
010371100	BUSHING, CASING (NOT SHOWN)	1
011774400	BUSHING, CAM & SHAFT (NOT SHOWN)	1
014669900	BOLT, 5/16-18x15/8, OPER. LEVER	1

When Replacement Parts Are Needed, Order Only YALE® Factory Engineered Parts

LB-LC CHASSIS

REVISED SEPTEMBER 1976

YALE LIMIT SWITCH ADJUSTMENT FOR CLOSE HEADROOM HOIST



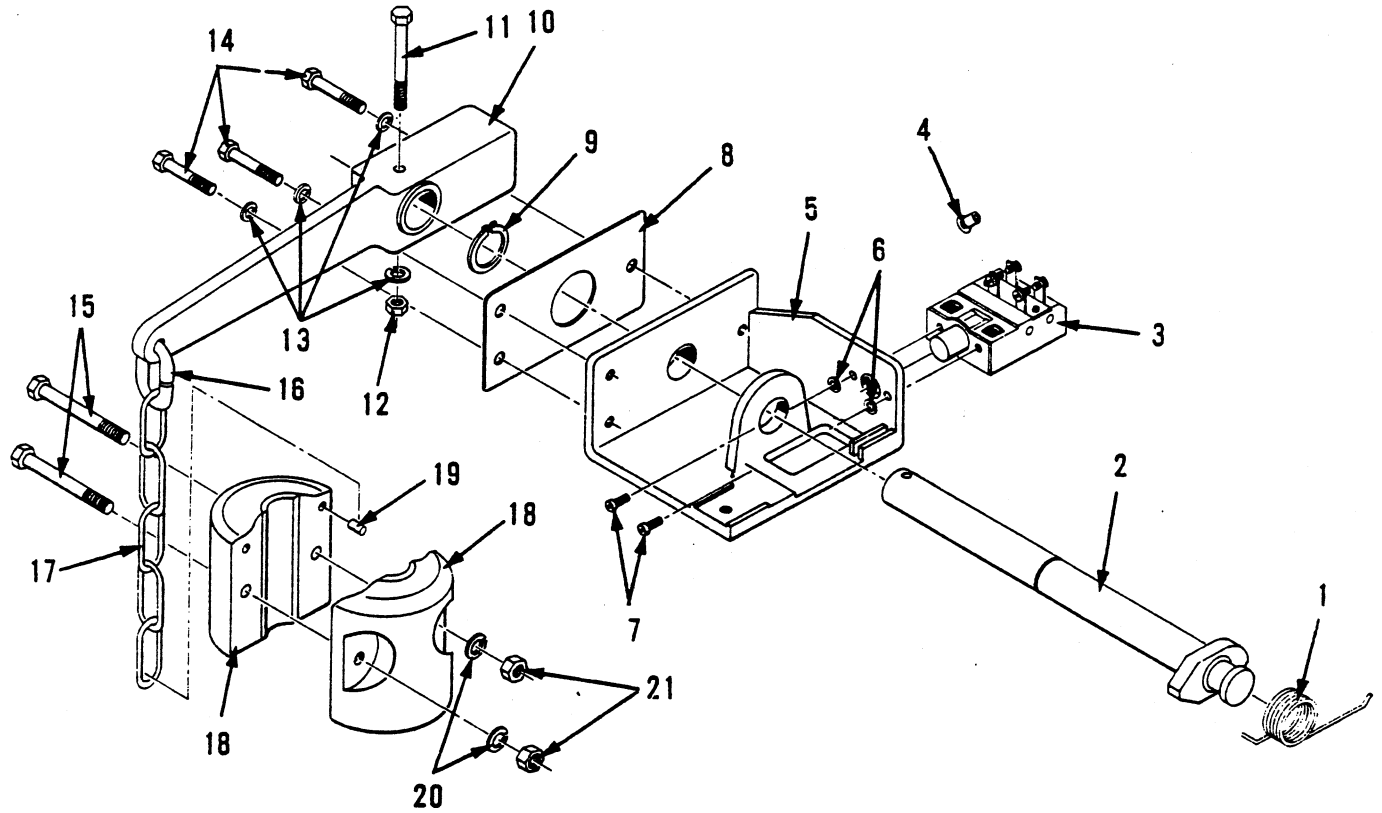
When adjusting or replacing Upper Limit Switch, the procedure is as follows:

- (1) Assemble all parts as shown but do not tighten Round Head Screws "A".
- (2) With Operating Lever "B" in its static position, that is where Cam "C" rests on face of stop "D", move Contact and Bracket Assembly "E" until face of Contact Button "F" just touches face of Cam "C". This movement is made possible by oversized mounting hole in Bracket.
- (3) Rotate Cam "C" by pushing up on Operating Lever "B" until high point of Cam is adjacent to face of Contact Button. At this point there should be a minimum of 1/32" additional travel before Contact Button bottoms.
- (4) If Contact bottoms before high point of Cam is reached, adjust Contact and Bracket Assembly so as to provide gap when Cam and Operating Lever are in static position. This gap should be kept to a minimum but should be great enough to prevent any binding between Cam and Contact Button.

NOTE: When Switch is purchased as a replacement part, a 1/32" plate is supplied as part of the assembly. This plate is not normally used and should be removed unless additional shim is required to prevent binding of Cam.



CE Series, Weight Type Limit Switch Assembly



Operation

YD-0252

After the hoist is determined to be running in the proper direction, check the limit switch by running the hook upward and lifting the weight by hand. When the weight is lifted the hoist should cut off. Any further lifting of the weight will close the lowering circuit and cause the hook to lower.

When Replacement Parts Are Needed, Order Only YALE[®] Factory Engineered Parts

165-308-339

SECTION K

LIMIT SWITCH ASSEMBLIES



CE Series, Weight Type Limit Switch Assembly

 * LIMIT SWITCH ASSEMBLY NUMBER 6468240-00

ITEM NUMBER	PART NUMBER	DESCRIPTION	ITEM NUMBER	PART NUMBER	DESCRIPTION
	6468240-00	LIMIT SWITCH ASSEMBLY	11	0619485-00	SCREW
1	5000591-00	SPRING	12	0106620-00	HEX NUT
2	6417431-00	CAM AND SHAFT	13	0114121-00	LOCKWASHER
3	0105904-00	CONTACT SWITCH	14	0597163-00	HEX SCREW
4	0103893-00	WIRE TERMINAL	15	0109484-00	HEX SCREW
5	5000653-00	LIMIT SWITCH BASE	16	0219672-00	OPEN LINK
6	0150256-00	LOCKWASHERS	17	0107222-00	ANCHOR CHAIN (12 LINKS)
7	0109445-00	ROUND HEAD SCREW	18	0105751-00	WEIGHT HALF
8	0601039-00	GASKET	19	0105760-00	PIN
9	0159149-00	RETAINING RING	20	0150308-00	LOCKWASHER
10	5000651-00	LEVER	21	0149707-00	JAM NUT

 * LIMIT SWITCH ASSEMBLY NUMBER 5002900-00

ITEM NUMBER	PART NUMBER	DESCRIPTION	ITEM NUMBER	PART NUMBER	DESCRIPTION
	5002900-00	LIMIT SWITCH ASSEMBLY	11	0619485-00	HEX SCREW
1	5000591-00	SPRING	12	0106620-00	HEX NUT
2	5000641-00	CAM AND SHAFT	13	0114121-00	LOCKWASHER
3	0105904-00	CONTACT SWITCH	14	0597163-00	HEX SCREW
4	0653541-00	WIRE TERMINAL	15	0109484-00	HEX SCREW
5	5000653-00	LIMIT SWITCH BASE	16	0219672-00	LINK (12 LINKS)
6	0150256-00	LOCKWASHER	17	0107222-00	ANCHOR CHAIN
7	0109445-00	ROUND HEAD SCREW	18	0105751-00	WEIGHT HALF
8	0601039-00	GASKET	19	0105760-00	PIN
9		NONE	20	0150308-00	WASHER
10	5000651-00	LEVER	21	0106606-00	JAM NUT

 * LIMIT SWITCH ASSEMBLY NUMBER 5002910-00

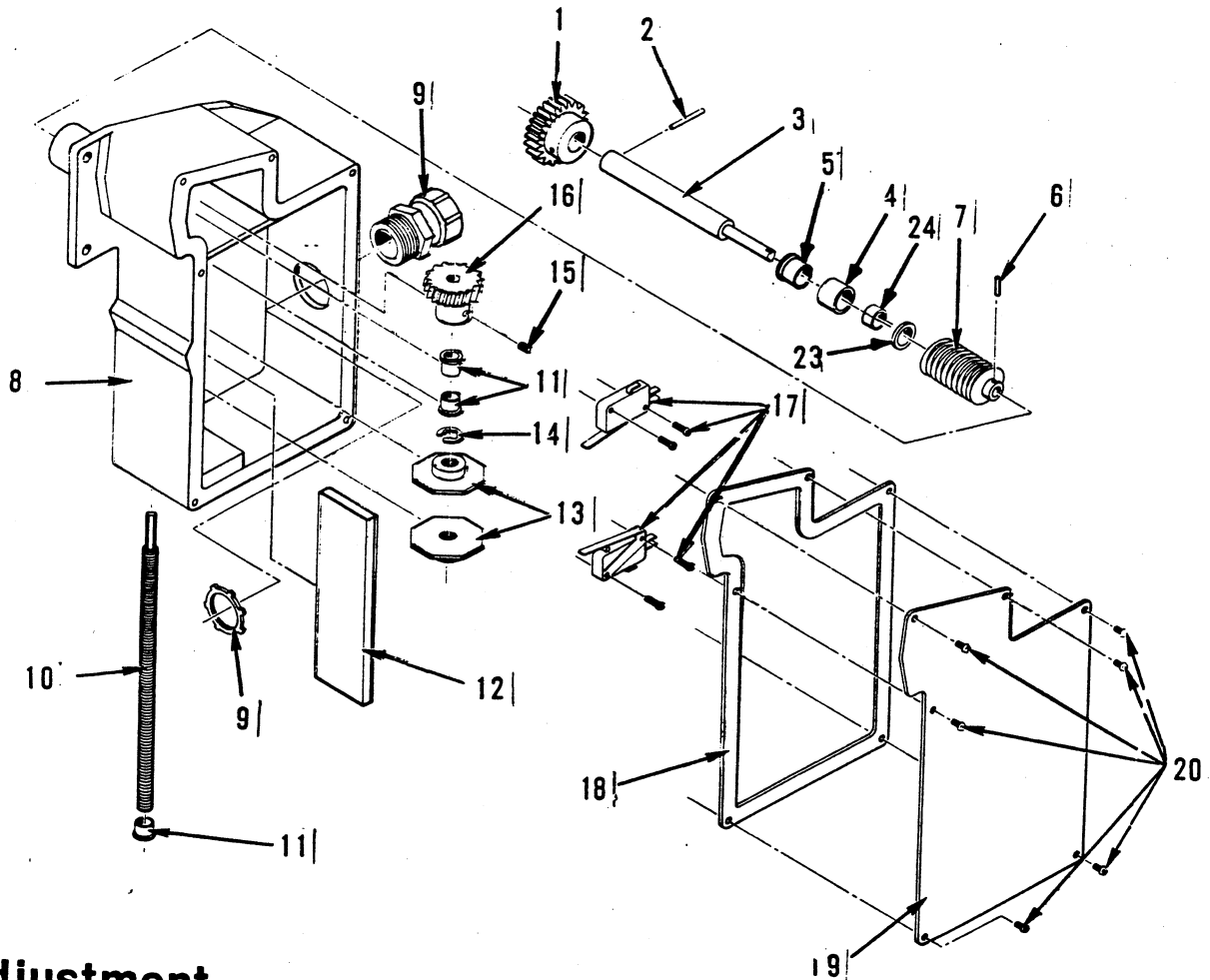
ITEM NUMBER	PART NUMBER	DESCRIPTION	ITEM NUMBER	PART NUMBER	DESCRIPTION
	5002910-00	LIMIT SWITCH ASSEMBLY	11	0619485-00	SCREW
1	5000591-00	SPRING	12	0106620-00	HEX NUT
2	5000641-00	CAM AND SHAFT	13	0114121-00	LOCKWASHER
3	0105904-00	CONTACT SWITCH	14	0597163-00	HEX SCREW
4	0653541-00	WIRE TERMINAL	15	0597163-00	SCREW
5	5000653-00	LIMIT SWITCH BASE	16	0219672-00	LINK
6	0150256-00	LOCKWASHER	17	0107222-00	ANCHOR CHAIN (12 LINKS)
7	0109445-00	ROUND HEAD SCREW	18	0105751-00	WEIGHT HALF
8	0601039-00	GASKET	19	0105760-00	PIN
9		NONE	20	0150308-00	LOCKWASHER
10	5000651-00	LEVER	21	0106606-00	JAM NUT

* Use Parts Group Checked And State Quantity Required.

When Replacement Parts Are Needed, Order Only YALE[®] Factory Engineered Parts



CE Series Traveling Nut Limit Switch Assembly



Adjustment

To adjust the limit switches or to set them at other desired levels remove the limit switch cover. Run the unit down noticing the switch toward which the nut travels. Stop the bottom block at the desired lower limit. Remove the flat bar under the traveling nuts. Move the nut nearest the switch until the switch can be heard to trip. Replace the flat bar under the traveling nuts. Repeat the above to set the upper limit switch.

YD-0251

165-908-005

When Replacement Parts Are Needed, Order Only YALE[®] Factory Engineered Parts

REVISED FEBRUARY 1977

CE SERIES-B CHASSIS

SECTION K

LIMIT SWITCH ASSEMBLIES



CE Series

Traveling Nut Limit Switch Assembly

ITEM NUMBER	PART NUMBER	DESCRIPTION	QTY
	6452270-00	TRAVELING NUT UPPER AND LOWER LIMIT SWITCH ASSEMBLY	1
	6452290-00	TRAVELING NUT UPPER OR LOWER LIMIT SWITCH ASSEMBLY	1
	6452280-00	TRAVELING NUT UPPER AND LOWER LIMIT SWITCH ASSEMBLY	1
	6452300-00	TRAVELING NUT UPPER OR LOWER LIMIT SWITCH ASSEMBLY	1
1	6412881-00	HELICAL GEAR (Used On Assembly Number 6452270-00 And 6452290-00)	1
	6412941-00	HELICAL GEAR (Used On Assembly Number 6452280-00 And 6452300-00)	1
2	0230207-00	ROLL PIN	1
3	0109742-00	SHAFT	1
4	6413361-01	SPACER	1
5	6412861-00	FLANGE BEARING	1
6	0318061-00	ROLL PIN	1
7	6412921-00	WORM GEAR (Used On Assembly Number 6452270-00 And 6452290-00)	1
	6412931-00	WORM GEAR (Used On Assembly Number 6452280-00 And 6452300-00)	1
8	6426304-00	HOUSING	1
9	0103721-00	WATERTIGHT CONNECTOR	2
10	6412891-00	SHAFT	1
11	6412871-00	FLANGE BEARING	3
12	6412901-00	CAM RETAINER	1
13	6412911-00	CAM	2
14	6409191-00	RETAINING RING	1
15	0109562-00	SET SCREW	1
16	6412951-00	PINION	1
17	6402058-00	SWITCH AND ACTUATOR	2
18	6422173-00	GASKET	1
19	6422143-00	COVER	1
20	6400869-02	SCREW	6
21	5003839-03	WIRE TERMINAL (Not Shown)	2
22	0116783-00	WIRE (5 Feet)	1
23	0114291-00	FLAT WASHER	1
24	6453718-00	SEAL	1

When Replacement Parts Are Needed, Order Only YALE® Factory Engineered Parts

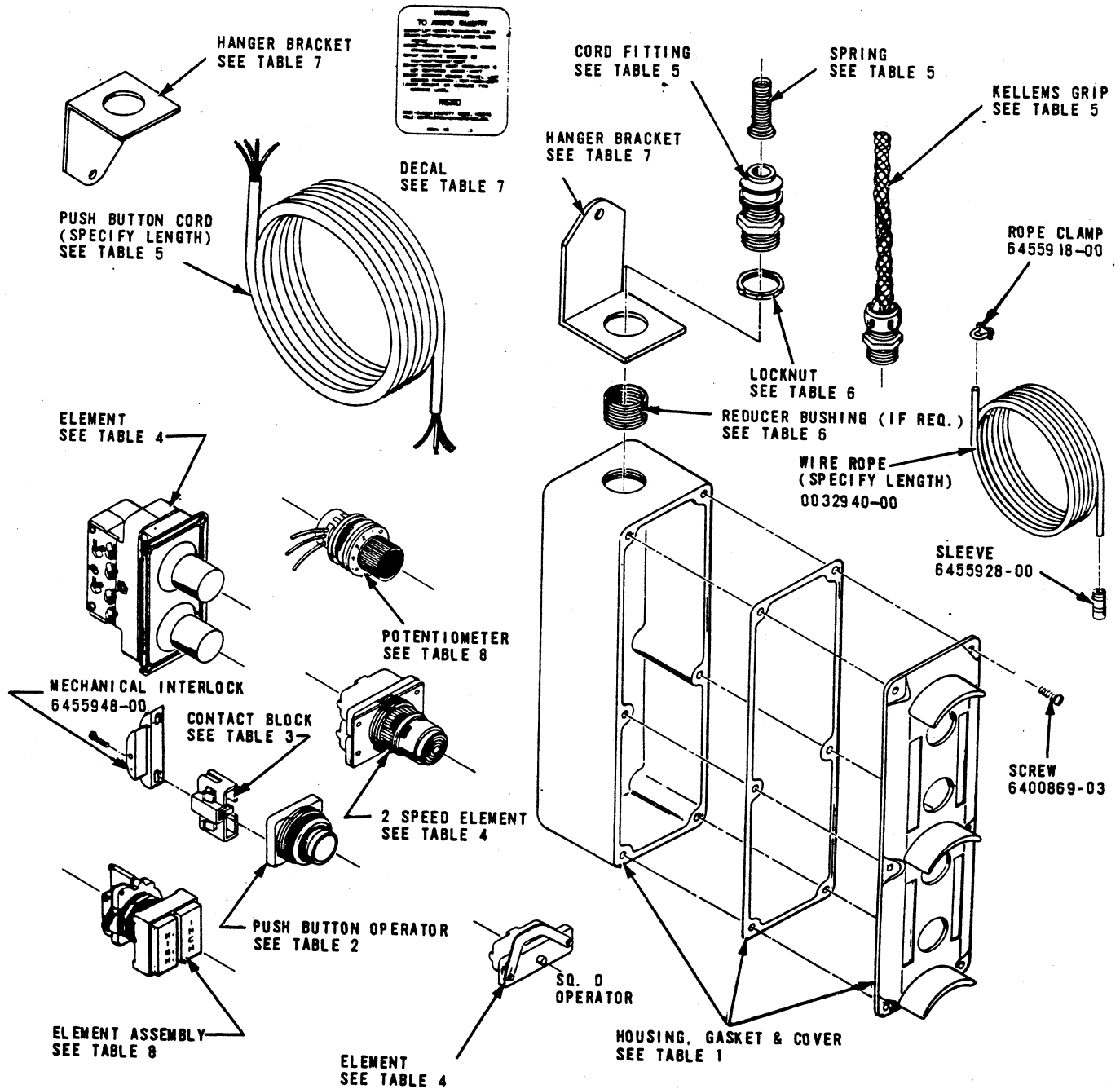


SECTION L

CONTROLS

Push Button Assembly

FOR ALL HOISTS



THE PUSH BUTTONS ILLUSTRATED ABOVE MAY NOT EXACTLY REPRESENT THE ACTUAL APPEARANCE OF YOUR PUSH BUTTON. HOWEVER, IT IS TYPICAL.

When Replacement Parts Are Needed, Order Only YALE® Factory Engineered Parts

REVISED JUNE 1976

PUSH BUTTON ASSEMBLY

YE-0408

FORM 185-909-017

SECTION L

CONTROLS



Push Button Assembly

FOR ALL HOISTS

TABLE 1

TYPE	COVER	GASKET	HOUSING
2 BUTTON (STD)	6440664-00	6437853-00	6440654-00
2 BUTTON (5 SPEED)	0107253-00*		
4 BUTTON (STD)	6430516-00	6423363-00	6423323-00
4 BUTTON (5 SPEED)	6420903-00	6423363-00	6420913-00
6 BUTTON (STD)	6430526-00	6423393-00	6429004-00
6 BUTTON (5 SPEED)	6426154-00	6423393-00	6426164-00
8 BUTTON (STD) UPPER HALF	6430516-00	6423363-00	6423333-00
8 & 10 BUTTON (STD) LOWER HALF	6430516-00	6423363-00	6423343-00
10 & 12 BUTTON (STD) UPPER HALF	6430526-00	6423393-00	6440614-00
12 BUTTON (STD) LOWER HALF	6430526-00	6423393-00	6440624-00

* Complete Housing

NOTE: All Standard Push Buttons Are Oil Tight.

NOTE: The Following Assembly Hardware Is Used To Connect The Two Sections Of 8, 10 & 12 Button Housings.

DESCRIPTION	PART NUMBER
SUPPORT PLATE	6455724-00
SCREW 1/4 - 20 X 3/4 INCH	6400419-00
CHASE NIPPLE 1 INCH NPT	0225641-00
HEX NUT 1/4 - 20	01493 3-00

TABLE 2

PUSH BUTTON OPERATION	
TYPE	PART NUMBER
EXTENDED HEAD (BLACK)	6455798-00
EXTENDED HEAD (RED)	6455838-00
EXT. HEAD W/FULL SHROUD (BLACK)	6455718-00
MUSHROOM HEAD (RED)	6455848-00
FLUSH HEAD (BLACK)	6455878-00
SELECTOR SWITCH (3 POSITION)	6450328-00
SELECTOR SWITCH (2 POSITION)	6450338-00
SELECTOR SWITCH (2 POSITION) KEY OPERATED)	6450318-00
TOGGLE SWITCH OPERATOR	6458068-00

TABLE 3

CONTACT BLOCKS & ACCESSORIES	
DESCRIPTION	PART NUMBER
TYPE A NORMALLY OPEN	6455788-00
TYPE B NORMALLY CLOSED	6455778-00
TYPE A NORMALLY OPEN, EARLY MAKE	6455768-00
TYPE B NORMALLY CLOSED, LATE BREAK	6455758-00
MECHANICAL INTERLOCK	6455948-00
MAINTAINED CONTACT LATCH	6455748-00
HOLE PLUG	6450358-00

TABLE 4

COMPLETE ELEMENTS	
DESCRIPTION	PART NUMBER
1 SPEED ELEMENT (2 BUTTON)	0107356-00
2 SPEED ELEMENT (2 BUTTON)	6465498-00
5 SPEED ELEMENT (2 BUTTON)	0107357-00
STOP-START ELEMENT MOMENTARY (2 BUTTON)	0545407-00
STOP-START ELEMENT MAINTAINED (2 BUTTON)	0599192-00
2 SPEED ELEMENT (SNAP ACTION)	0512271-00
1 SPEED ELEMENT (SNAP ACTION)	6415482-00

TABLE 5

16 AWG TYPE SO	PB CORD	CORD FITTING	SPRING	KELLEMS GRIP
16-4	0116783-00	6401569-07	6417911-01	6430038-00
16-6	0116606-00	6401569-10	6417911-02	6465478-00
16-8	0116604-00	6401569-20	6417911-02	6423138-00
16-10	6400119-81	6401569-26	6417911-03	6439088-00
16-12	6400129-81	6401569-26	6417911-03	6439088-00
16-14	6400139-81	6401569-26	6417911-03	6435578-00
16-16	6400149-81	*	*	6435578-00
16-18	6400159-81	*	*	6435578-00
16-20	6400169-81	*	*	6443848-00
16-22	6400179-81	*	*	6443848-00

* Fittings & Springs Not Available On This Size P.B. Cord, Use Kellems Grip.

TABLE 6

REDUCER BUSHINGS		LOCK NUT	
SIZE IN.	PART NUMBER	SIZE IN.	PART NUMBER
3/4 TO 1/2	0103811-00	1/2	0103739-00
1 TO 1/2	0103812-00	3/4	0103740-00
1 TO 3/4	0103813-00	1	0103741-00
1-1/4 TO 3/4	0103814-00	1 1/4	0103742-00
1-1/2 TO 1	0103815-00		

TABLE 7

HANGER BRACKETS	
DESCRIPTION	PART NUMBER
BRACKET FOR 1/2 INCH FITTING	6444884-00
BRACKET FOR 3/4 INCH FITTING	6441674-00
BRACKET FOR 1 INCH FITTING	6441624-01
BRACKET FOR 1-1/4 INCH FITTING	6441624-02
DECAL FOR WIRE ROPE HOIST	6433453-00
DECAL FOR CHAIN HOIST	6438123-00

TABLE 8

SOLID STATE COMPONENTS	
DESCRIPTION	PART NUMBER
ELEMENT ASSEMBLY FC-1A & FC-3	6452720-00
ELEMENT ASSEMBLY FC-2	6456460-00
MICRO SWITCH FC-1A & FC-3	6433088-00
MICRO SWITCH FC-2 (SINGLE SWITCH)	6436398-00
MICRO SWITCH FC-2 (DOUBLE SWITCH)	6436408-00
* POTENTIOMETER ASSEMBLY FC-1A	6496710-00
* POTENTIOMETER ASSEMBLY FC-3	6496720-00

* Includes Potentiometer & Leads, O Rings, Nut, Retaining Potentiometer Housing & Knob.

When Replacement Parts Are Needed, Order Only YALE® Factory Engineered Parts

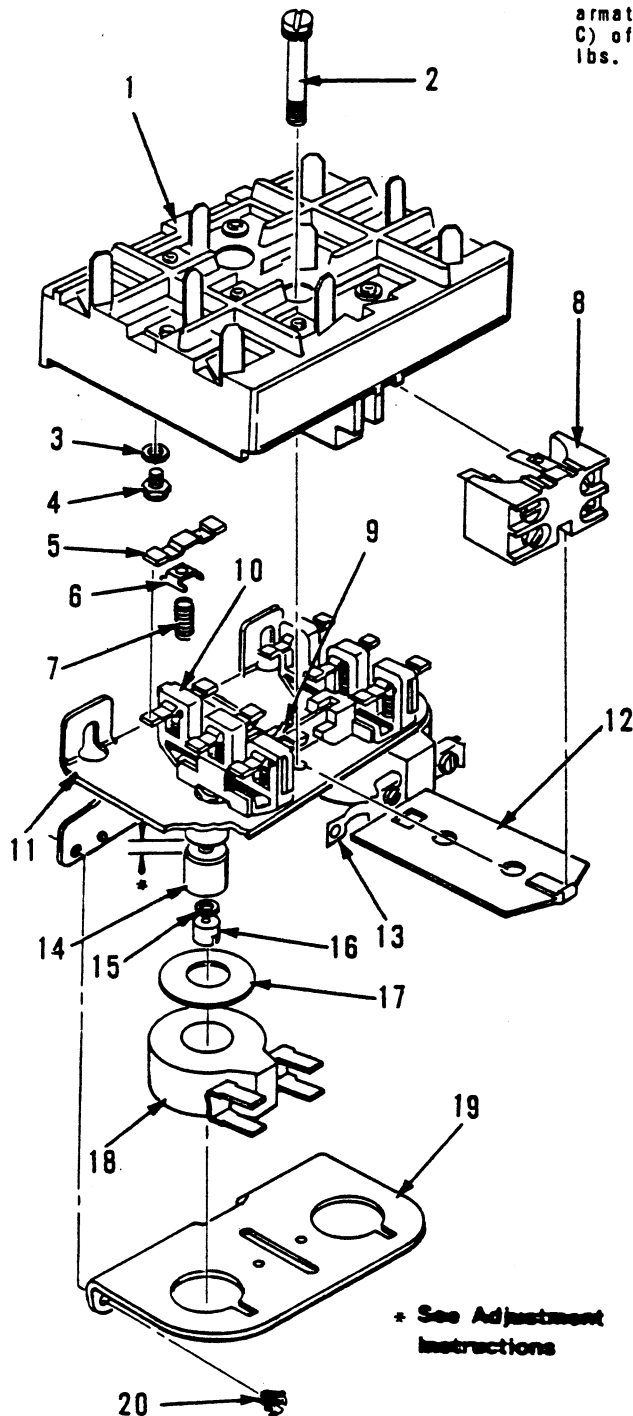
PUSH BUTTON ASSEMBLY



Reversing Contactors SQUARE D

AC, TYPE R - SERIES A, B AND C, THROUGH 3 HORSE POWER

ADJUSTMENT INSTRUCTIONS-If armature solenoid is removed, it should be adjusted when reassembled by screwing armature within 13/64 (Series A) or 15/64 (Series B and C) of magnet core and locking with slotted nut to 20 in.-lbs. torque.



CONTACTS-To inspect the contacts, remove contact block 1. All contacts are silver alloy and are not harmed by discoloration and slight pitting. **DO NOT FILE THEM**; replace only when silver has worn thin. Movable contact finger 5 is removed by pulling straight out. To release stationary contacts 4, unscrew from underside of contact block 1.

When contacts are replaced, contact springs 6 should also be replaced.

A complete set of replacement contacts may be obtained by ordering part number 6400028-00 contact parts kit.

MAGNET COILS-To replace magnet coil 18, first disconnect coil leads. Next, remove coil jumper 13 connecting the two coils together. Remove screws 20 which release the bottom plate 19. Slide the coil from the magnet frame.

BOTH ARMATURE ASSEMBLIES MUST BE COMPLETELY DROPPED OUT WHEN THE ELECTRICAL INTERLOCK IS INSTALLED.

COMPLETE CONTACTOR WITH FAST ON TYPE TERMINALS AND MECHANICAL INTERLOCKS-WITHOUT JUMPERS

COIL VOLTAGE	HERTZ	PART NUMBER
24	50/60	6401559-01
110	50/60	6401559-02
24	25	6401559-03
440	50/60	6401559-04
230	50/60	6401559-05

IF JUMPERS AND TERMINALS ARE REQUIRED ORDER JUMPERS PART NUMBER 6436708-01 AND WIRE TERMINAL PART NUMBER 6443028-01

COMPLETE CONTACTOR WITH FAST ON TYPE TERMINALS AND MECHANICAL INTERLOCKS-WITH JUMPERS AND WIRE TERMINALS.

COIL VOLTAGE	HERTZ	PART NUMBER
24	50/60	5037490-00
110	50/60	5037500-00

YC-0403

165-909-008

When Replacement Parts Are Needed, Order Only YALE[®] Factory Engineered Parts

REVISED APRIL 1973

REVERSING CONTACTOR

SECTION L

CONTROLS



Reversing Contactors SQUARE D

AC, TYPE R - SERIES A, B AND C, THROUGH 3 HORSE POWER

ITEM NUMBER	PART NUMBER	DESCRIPTION	QTY
1	6457328-01	CONTACT BLOCK ONLY (With Slip On Connectors)	*1
2	6409218-00	SCREW, 10-24 x 1 1/4	2
3	0150254-00	LOCKWASHER	*12
4	6400038-00	STATIONARY CONTACT SCREW	*12
5	6400048-00	MOVABLE CONTACT	*6
6	6400058-00	RETAINER	*6
7	6409208-00	CONTACT SPRING	6
8	6446608-01	ELECTRICAL INTERLOCK N.O.	1
	6446608-02	ELECTRICAL INTERLOCK N.C.	1
9	6409248-00	MECHANICAL INTERLOCK	1
10	6409238-00	CONTACT CARRIER	**2
11	6409228-00	BASE ASSEMBLY	1
12	6409308-00	INTERLOCK LATCH	1
13	6409298-00	COIL JUMPER	1
14	6409258-00	ARMATURE ASSEMBLY	***2
15	0150256-00	LOCKWASHER	2
16	6409268-00	SLOTTED NUT, 10-32	2
17	6409278-00	WASHER	2
18	SEE TABLE	MAGNETIC COIL	2
19	6409318-00	BOTTOM PLATE	1
20	6409328-00	SCREW ASSEMBLY, 8-32 x 1/4	2
21	6457328-02	SLIP ON CONNECTOR	4
22	6457328-03	CONTACT BLOCK ASSEMBLY (Includes Items 1,3 and 4)	1

* Included In Parts Kit 6400028-00.

** Both The Contact Block Item 1 And Contact Contact Carrier Item 10 Must Be Ordered When Replacing Either Of These Items.

*** When Replacing Armature Assembly Item 14, A Slotted Nut Item 16 And Lockwasher Item 15 Must Be Ordered.

MAGNETIC COIL TABLE

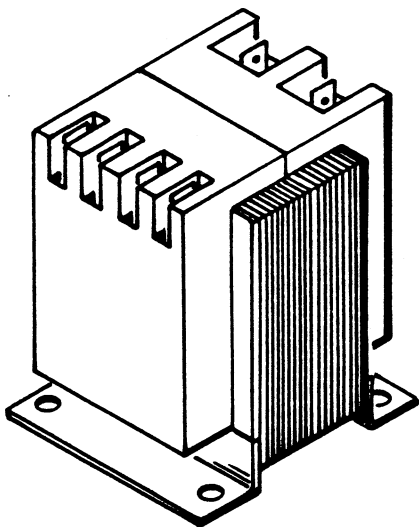
HERTZ	24 VOLT	115 VOLT	230 VOLT	460 VOLT	575 VOLT
60	5030618-00	5030628-00	5030638-00	5030648-00	5030658-00
50	5030618-00	5030628-00	5030638-00	5030648-00	5030658-00
25	5030668-00	5030638-00	5030678-00		

When Replacement Parts Are Needed, Order Only YALE[®] Factory Engineered Parts

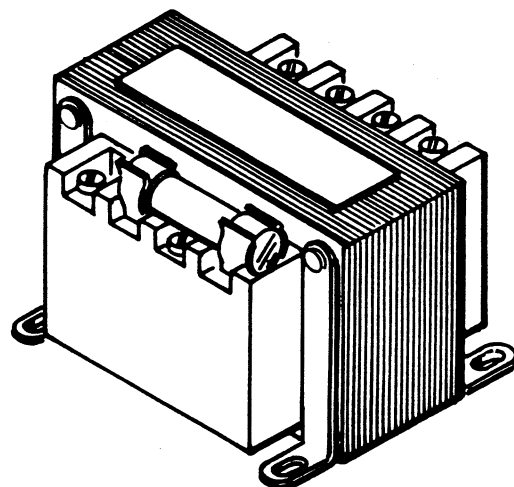


SECTION L
CONTROLS

Transformers



GROUP A



GROUP B

VA	PRIMARY VOLTS	SECONDARY VOLTS	HERTZ	PART NUMBER
25	115/230	24	50/60	6437393-01
	230/460	24	50/60	6437393-02
	115/230	110	50/60	6437393-03
	230/460	110	50/60	6437393-04
	200	24	50/60	6437393-05
	200	110	50/60	6437393-06
	575	24	50/60	6437393-07
	575	110	50/60	6437393-08

GROUP B (Including Fuse)

50	200	115	50/60	6437373-01
	230/460	115	50/60	6437373-02
	575	115	50/60	6437373-03
	200	24	50/60	6437373-04
	230/460	24	50/60	6437373-05
	575	24	50/60	6437373-06
150	200	115	50/60	6437373-07
	230/460	115	50/60	6437373-08
	575	115	50/60	6437373-09
	200	24	50/60	6437373-10
	230/460	24	50/60	6437373-11
	575	24	50/60	6437373-12

GROUP A Replaces Transformer Series 6424213.

GROUP B Replaces Transformer Series 5003119.

YA-0383

165-909-006

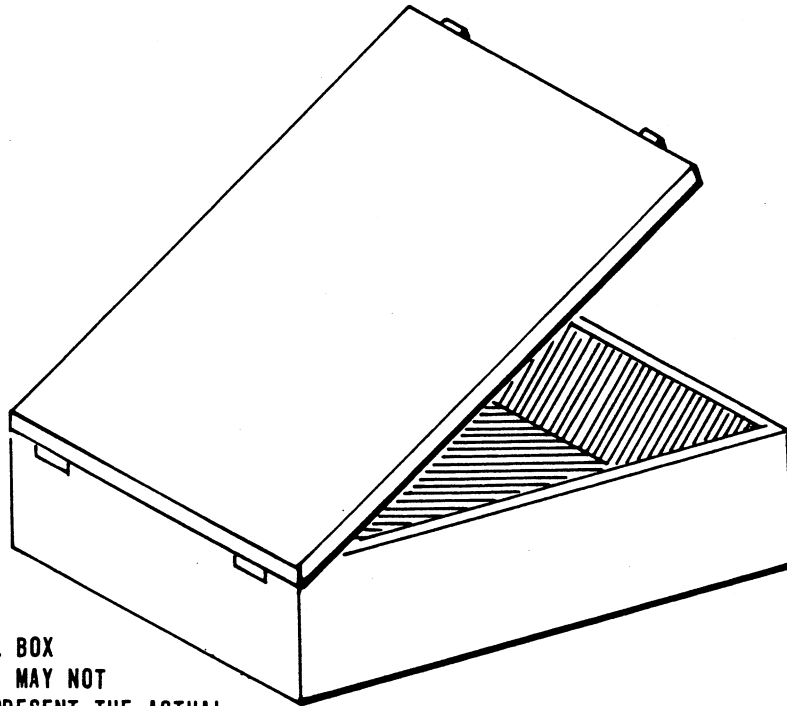
When Replacement Parts Are Needed, Order Only YALE[®] Factory Engineered Parts

REVISED APRIL 1973

TRANSFORMERS



Control Box



NOTE: THE CONTROL BOX ILLUSTRATED MAY NOT EXACTLY REPRESENT THE ACTUAL APPEARANCE OF YOUR CONTROL BOX. HOWEVER, IT IS TYPICAL.

YA-0269

CE Series

ITEM NUMBER	PART NUMBER	DESCRIPTION	QUANTITY
Use Item Checked			
<input type="checkbox"/> 1	0113880-00	CONTROL BOX.....	1
<input type="checkbox"/> 2	5000646-00	CONTROL BOX.....	1
<input type="checkbox"/> 3	5017306-00	CONTROL BOX.....	1
<input type="checkbox"/> 4	5019816-00	CONTROL BOX.....	1
<input type="checkbox"/> 5	5019826-00	CONTROL BOX.....	1
<input type="checkbox"/> 6	5019836-00	CONTROL BOX.....	1
<input type="checkbox"/> 7	5027026-00	CONTROL BOX.....	1
<input type="checkbox"/> 8	6400426-00	CONTROL BOX.....	1
<input type="checkbox"/> 9	_____	CONTROL BOX.....	1

TT Series

ITEM NUMBER	PART NUMBER	DESCRIPTION	QUANTITY
Use Item Checked			
<input type="checkbox"/> 1	6441846-00	CONTROL BOX.....	1
<input type="checkbox"/> 2	0542518-00	CONTROL BOX WITH 0542563-00 ADAPTER.....	1
<input type="checkbox"/> 3	_____	CONTROL BOX.....	1

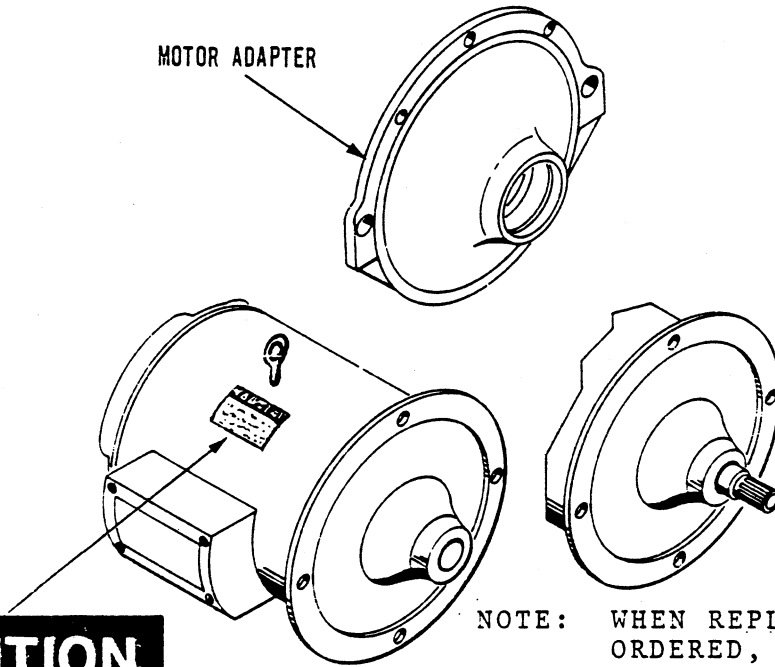
When Replacement Parts Are Needed, Order Only YALE® Factory Engineered Parts

165-909-005



SECTION M
MOTORS

Motors



CAUTION

EYEBOLTS FOR LIFTING WEIGHT OF MOTOR ONLY. TO AVOID SERIOUS INJURY, DO NOT USE IF MOTOR IS ATTACHED TO OTHER EQUIPMENT.
DECAL NO. 642805100

NOTE: WHEN REPLACEMENT MOTOR IS ORDERED, ALSO ORDER (1) CAUTION DECAL 642805100

YA-0270

THE MOTOR ILLUSTRATED ABOVE MAY NOT EXACTLY REPRESENT THE ACTUAL APPEARANCE OF THE MOTOR. HOWEVER, IT IS TYPICAL

IMPORTANT:

When Ordering Motor Parts It Is Imperative That Complete Motor Name Plate Reading And Serial Number Of Hoist Be Furnished.

Hoist Serial Number _____

MOTOR NUMBER _____

MOTOR ADAPTER

CHASSIS	MOTOR FRAME	CAST PART NUMBER	FABRICATED PART NUMBER
B	56	6421956-00	N/A
B	140-210	6421966-00	0656373-00
C	140-210	6442436-00	N/A
C	250	6409557-00	6442456-00
D	140-210	6409547-00	6409567-00
D	250-280	6409537-00	6409527-00
E	140-210	6400137-02	N/A
E	250-280	6400137-01	0658331-00
E	320	6400147-00	5000396-00

165-910-001

When Replacement Parts Are Needed, Order Only YALE[®] Factory Engineered Parts

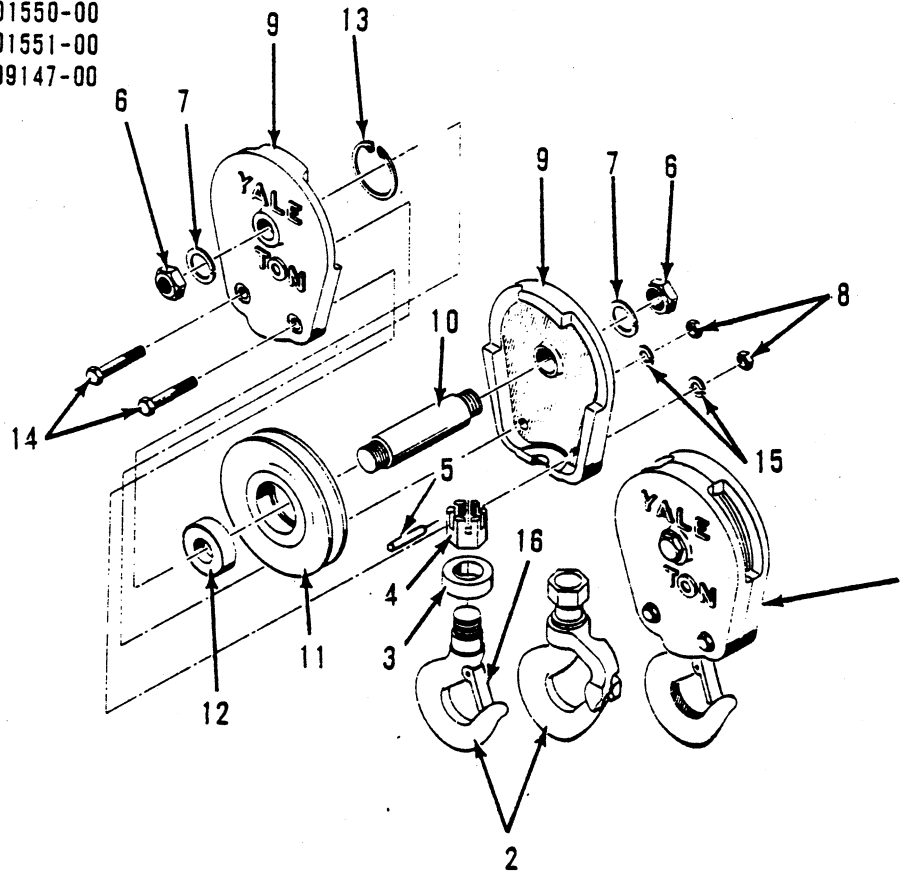
REVISED MARCH 1977

MOTORS



CE Series 2 PART SINGLE Bottom Block Assembly

ASSEMBLIES 0101550-00
0101551-00
0599147-00



NOTE: When Ordering Repair Parts For Spark Resistant Bottom Blocks, Always Reference The Assembly Number Listed Below. Give Part Number And Quantity Required.

SPARK RESISTANT BOTTOM BLOCK ASSEMBLY

* 0101550-00 1 TON PARTS LISTING

ITEM NUMBER	PART NUMBER	DESCRIPTION	QTY
1	0101550-00 6486660-00	BOTTOM BLOCK ASSEMBLY (Includes Item 2 Through 16) BOTTOM BLOCK ASSEMBLY WITH BULLARD HOOK (Includes Item 2 Through 15)	1
2	6478970-00 6438533-00	HOOK AND LATCH ASSEMBLY BULLARD BURNHAM HOOK ASSEMBLY	1
3	0151222-00	HOOK BEARING	1
4	0652673-00	SLOTTED NUT 3/4"-16	1
5	0154216-00	COTTER PIN (Not Shown)	1
6	0149716-00	JAM NUT 1"-8	1
7	0150272-00	LOCKWASHER	1
8	0149369-00	NUT 3/8"-16	2
9	0221076-00	BLOCK HALF	2
10	0109660-00	SHAFT	2
11	0109880-00	SHEAVE	1
12	0100812-00	BEARING	1
13	5003439-13	RETAINING RING	1
14	0622365-00	CAP SCREW	2
15	0150264-00	LOCKWASHER	2
16	0669402-00	LATCH KIT (Includes Latch, Spring & Rivet)	1

YD-0338

165-911-018

When Replacement Parts Are Needed, Order Only YALE® Factory Engineered Parts

REVISED MARCH 1977

CE SERIES

SECTION N

BOTTOM BLOCKS



CE Series 2 PART SINGLE Bottom Block Assembly

* 6436260-00 2 TON PARTS LISTING

ITEM NUMBER	PART NUMBER	DESCRIPTION	QTY
1	6436260-00 0643705-00	BOTTOM BLOCK ASM. (INCLUDES ITEMS 2-16) BOTTOM BLOCK ASM. WITH BULLARD HOOK (INCLUDES ITEMS 2-16)	1 1
2	6478990-00 6447514-00	HOOK AND LATCH ASSEMBLY BULLARD HOOK ASSEMBLY	1 1
3	0220677-00	HOOK BEARING	1
4	0629014-00	SLOTTED HEX NUT	1
5	0230250-00	ROLL PIN (NOT SHOWN)	1
6	0149718-00	NUT, JAM 1 1/4"-7	2
7	0150299-00	LOCKWASHER 1 1/4"	2
8	0149648-00	NUT	2
9	0604063-00	BLOCK HALF	2
10	0109668-00	SHAFT	1
11	6413893-00	SHEAVE	1
12	0100788-00	BEARING	1
13	5003439-10	RETAINING RING	1
14	0576997-00	CAP SCREW, 1/2"-13x2 3/4"	2
15	0150266-00	LOCKWASHER 1/2	2
16	0669403-00	LATCH KIT (INCLUDES LATCH, SPRING AND RIVET)	1

* 0101551-00 2 TON PARTS LISTING

ITEM NUMBER	PART NUMBER	DESCRIPTION	QTY
1	0101551-00	BOTTOM BLOCK ASSEMBLY (Includes Items 2 Through 18) BOTTOM BLOCK ASSEMBLY WITH BULLARD HOOK (Includes Items 2 Through 15 Plus 17 And 18)	1
2	6479060-00	HOOK AND LATCH ASSEMBLY BULLARD BURNHAM HOOK ASSEMBLY	1 1
3	0275483-00	HOOK BEARING	1
4	0106714-00	SLOTTED NUT 1 1/8-12	1
5	0592974-00	ROLL PIN	1
6	0149719-00	JAM NUT 1 1/4-7	2
7	0150299-00	LOCKWASHER 1 1/4"	2
8	0149648-00	NUT	2
9	3064174-00	BLOCK HALF	2
10	0109668-00	SHAFT	1
11	0109904-00	SHEAVE	1
12	0100788-00	BEARING	1
13	5003439-10	RETAINING RING	1
14	0568354-00	CAP SCREW 1/2"-13	2
15	0150266-00	LOCKWASHER	2
16	0669404-00	LATCH KIT (Includes Latch, Spring & Rivet)	1
17	0633412-00	NUMERAL 2 (Not Shown)	2
18	0149896-00	DRIVE SCREW (Not Shown)	4

* 0599147-00 2 TON PARTS LISTING

ITEM NUMBER	PART NUMBER	DESCRIPTION	QTY
1	0599147-00 0643705-00	BOTTOM BLOCK ASSEMBLY (Includes Items 2 Through 16) BOTTOM BLOCK ASSEMBLY WITH BULLARD HOOK (Includes Items 2 Through 15)	1 1
2	6447514-00	HOOK AND LATCH ASSEMBLY BULLARD BURNHAM HOOK ASSEMBLY	1 1
3	0220677-00	HOOK BEARING	1
4	0629014-00	SLOTTED HEX NUT	1
5	0230250-00	ROLL PIN	1
6	0149718-00	JAM NUT	2
7	0150299-00	LOCKWASHER 1 1/4"	2
8	0149648-00	NUT	2
9	0604063-00	BLOCK HALF	2
10	0109668-00	SHAFT	1
11	0597624-00	SHEAVE	1
12	0100788-00	BEARING	1
13	5003439-10	RETAINING RING	1
14	0576997-00	CAP SCREW	2
15	0150266-00	LOCKWASHER	2
16	0669403-00	LATCH KIT (Includes Latch, Spring & Rivet)	1

* Use Parts Group Checked And State Quantity Required.

When Replacement Parts Are Needed, Order Only YALE® Factory Engineered Parts

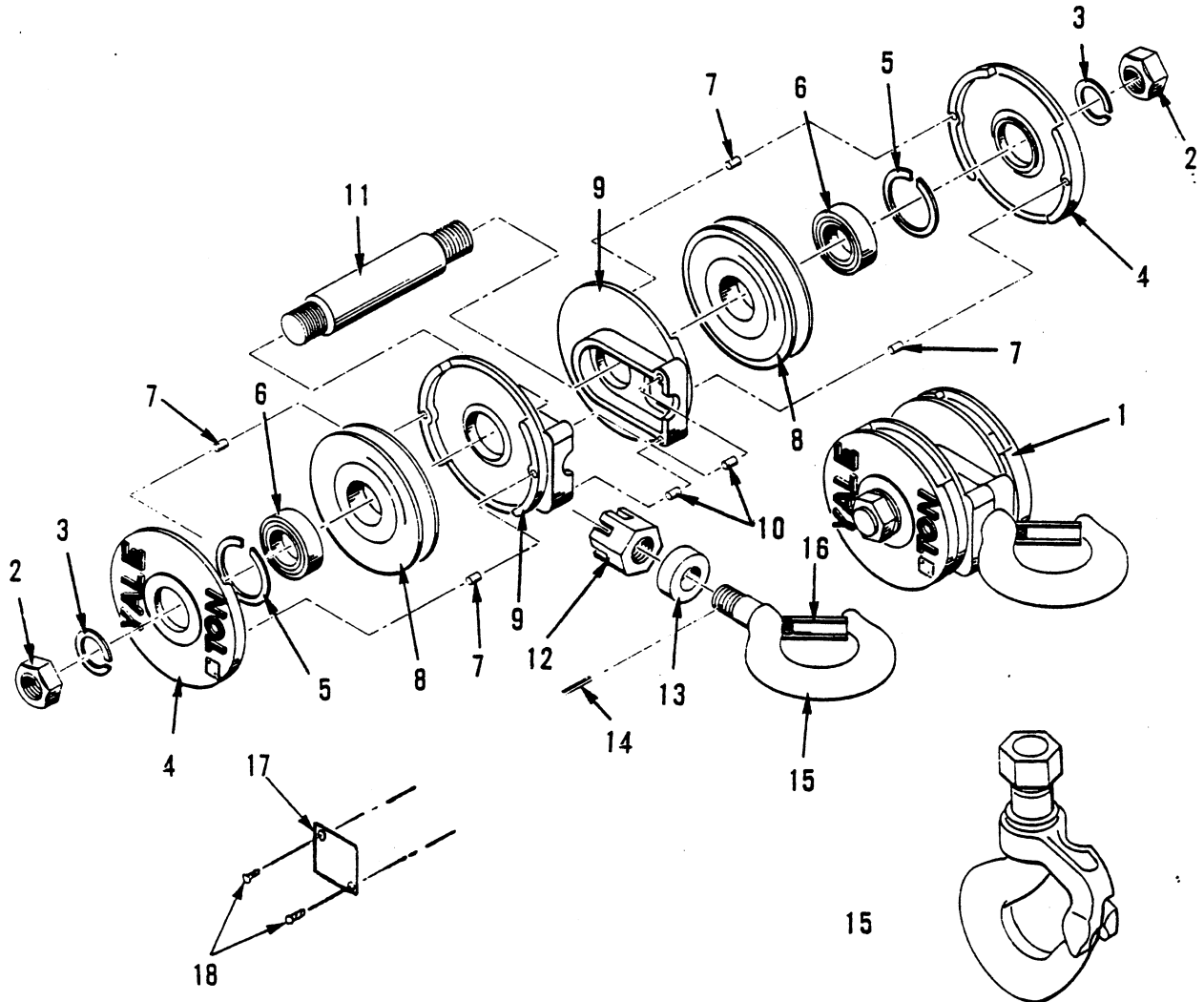
CE SERIES

REVISED MARCH 1977



SECTION N
BOTTOM BLOCKS

CE Series FOR 1/2, 1 AND 2 TON LOW HEADROOM CE SERIES HOISTS
Bottom Block Assembly 2 PART DOUBLE AND 4 PART SINGLE



NOTE: When Ordering Repair Parts For Spark Resistant Bottom Blocks, Always Reference The Assembly Number Listed Below, Give Part Name And Quantity Required.

SPARK RESISTANT BOTTOM BLOCK ASSEMBLY _____

REEVING	MODEL	CAP	ROPE SIZE	ASSEMBLY NBR
D2	LB	1/2 TON	3/16"	0101549-00
D2	LB	1 TON	3/16"	0101559-00
D2	LB	2 TON	1/4"	0101557-00
D2	LC	2 TON	5/16"	0101557-00

YE-0334

155-911-008

When Replacement Parts Are Needed, Order Only YALE[®] Factory Engineered Parts

REVISED MARCH 1977

CE SERIES

SECTION N

BOTTOM BLOCKS



CE Series FOR 1/2, 1 AND 2 TON LOW HEADROOM CE SERIES HOISTS Bottom Block Assembly 2 PART DOUBLE AND 4 PART SINGLE

* 1 2 TON PARTS LISTING

ITEM NUMBER	PART NUMBER	DISCRIPTION	QTY
1	0101549-00	BOTTOM BLOCK ASSEMBLY (INLCUDES ITEMS 2 THROUGH 16) BOTTOM BLOCK ASSEMBLY, WITH BULLARD HOOK (INCLUDES ITEMS 2 THROUGH 15)	1
2	0149713-00	JAM NUT 5/8" - 11	2
3	0150268-00	LOCKWASHER 5/8"	2
4	0101279-00	BOTTOM BLOCK COVER	2
5	0110019-00	RETAINING RING	2
6	0100807-00	BALL BEARING	2
7	0116526-00	DOWEL PIN	4
8	0109896-00	SHEAVE	2
9	0221082-00	CENTER HALF	2
10	0116531-00	DOWEL PIN	2
11	0109646-00	SHAFT	1
12	0106663-00	SLOTTED NUT - 5/8" - 18	1
13	0151221-00	HOOK BEARING	1
14	5019829-01	PIN, ROLL	1
15	6478960-00	HOOK AND LATCH ASSEMBLY	1
	6440233-00	BULLARD HOOK AND LATCH ASSEMBLY	1
16	0669400-00	LATCH KIT (INCLUDES SPRING, LATCH AND RIVET)	1

* 1 TON PARTS LISTING

ITEM NUMBER	PART NUMBER	DISCRIPTION	QTY
1	0101559-00	BOTTOM BLOCK ASSEMBLY (Includes Items 2 Through 16) BOTTOM BLOCK ASSEMBLY, WITH BULLARD HOOK (Includes Items 2 Through 15)	1
2	0149713-00	3/4 JAM NUT	2
3	0150270-00	LOCKWASHER	2
4	0101516-00	BOTTOM BLOCK COVER	2
5	0110017-00	RETAINING RING	4
6	0100808-00	BALL BEARING	2
7	0116526-00	DOWEL PIN	4
8	0109965-00	SHEAVE	2
9	0221081-00	BLOCK HALF	2
10	0116531-00	DOWEL PIN	2
11	0109850-00	SHAFT	1
12	0652673-00	SLOTTED NUT	1
13	0151222-00	HOOK BEARING	1
14	0230207-00	PIN, ROLL	1
15	6478970-00	HOOK AND LATCH ASSEMBLY	1
	6438533-00	BULLARD HOOK AND LATCH ASSEMBLY	1
16	0669402-00	LATCH KIT (INCLUDES LATCH, SPRING AND RIVET)	1

* 2 TON PARTS LISTING

ITEM NUMBER	PART NUMBER	DISCRIPTION	QTY
1	0101557-00	BOTTOM BLOCK ASSEMBLY (INCLUDES ITEMS 2 THROUGH 18) BOTTOM BLOCK ASSEMBLY, WITH BULLARD HOOK (INCLUDES ITEMS 2 THROUGH 17)	1
2	0149715-00	JAM NUT	2
3	0150296-00	LOCKWASHER	2
4	0666654-00	BLOCK COVER	2
5	5003439-12	RETAINING RING	2
6	0151283-00	BALL BEARING	2
7	0116526-00	DOWEL PIN	4
8	0109892-00	SHEAVE	2
9	0221089-00	CENTER HALF	2
10	0116531-00	DOWEL PIN	2
11	0109866-00	SHAFT	1
12	0629014-00	SLOTTED NUT	1
13	0220677-00	HOOK BEARING	1
14	0230250-00	PIN, ROLL	1
15	6478990-00	HOOK AND LATCH ASSEMBLY	1
	0669403-00	BULLARD HOOK AND LATCH	1
16	0633412-00	LATCH KIT (INCLUDES LATCH, SPRING AND RIVET)	1
17	0633412-00	NUMERAL 2	2
18	0149896-00	DRIVE SCREW	4

* Use Parts Group Checked.

When Replacement Parts Are Needed, Order Only YALE[®] Factory Engineered Parts

CE SERIES

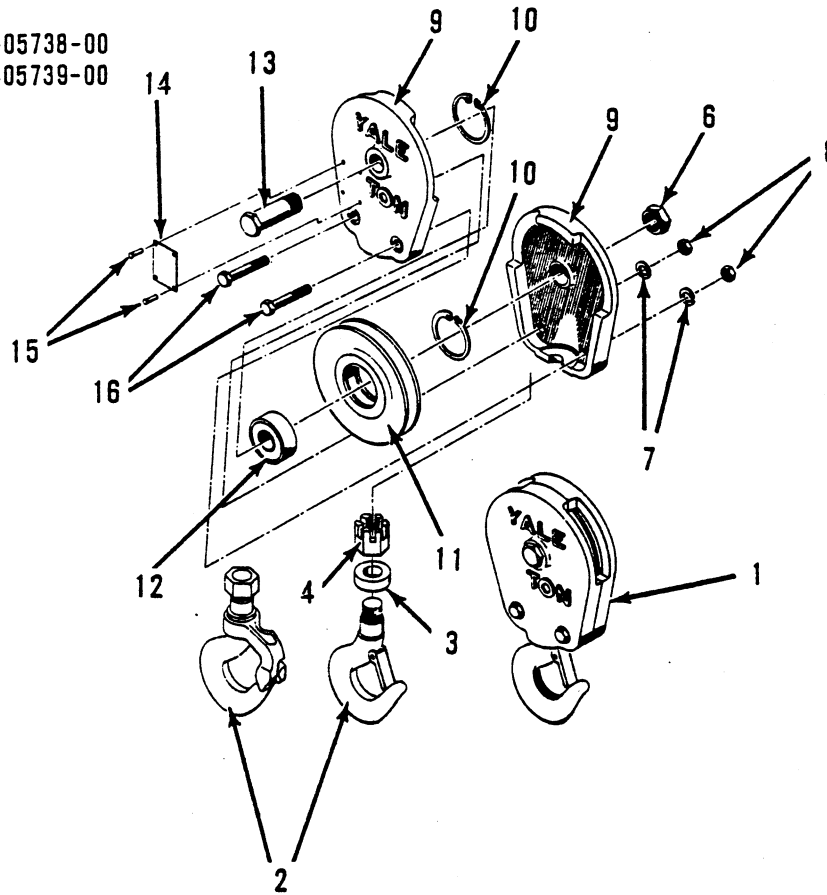
REVISED MARCH 1977



SECTION N
BOTTOM BLOCKS

CE Series 2 PART SINGLE
Bottom Block Assembly

ASSEMBLIES 0605738-00
0605739-00



NOTE: When Ordering Repair Parts For Spark Resistant Bottom Blocks, Always Reference The Assembly Number Listed Below, Give Part Number And Quantity Required.

SPARK RESISTANT BOTTOM BLOCK ASSEMBLY _____

REEVING	MODEL	CAP	ROPE SIZE	ASSEMBLY NBR
S2	PB	1/2 Ton	1/4"	0605738-00
S2	PB	1 Ton	1/4"	0605739-00

YD-0339
165-911-015

When Replacement Parts Are Needed, Order Only YALE® Factory Engineered Parts

SECTION N

BOTTOM BLOCKS



CE Series 2 PART SINGLE Bottom Block Assembly

 * 0605738-00 PARTS LISTING

ITEM NUMBER	PART NUMBER	DESCRIPTION	QTY
1	0605738-00	BOTTOM BLOCK ASSEMBLY (Includes Items 2 Through 17) BOTTOM BLOCK ASSEMBLY WITH BULLARD HOOK (Includes Items 2 Through 16)	1
2	6479090-00	HOOK AND LATCH ASSEMBLY BULLARD BURNHAM HOOK ASSEMBLY	1 1
3	0100851-00	HOOK BEARING	1
4	0106663-00	SLOTTED HEX NUT	1
5	0154184-00	COTTER PIN	1
6	0106685-00	HEX NUT (3/4 Inch)	1
7	0150262-00	LOCKWASHER	2
8	0149708-00	NUT	2
9	6414394-00	BLOCK HALF	2
10	0110017-00	RETAINING RING	2
11	0109965-00	SHEAVE	1
12	0100808-00	BEARING	1
13	0107023-00	SHEAVE PIN	1
14	0595021-00	CAPACITY PLATE	1
15	0209149-00	DRIVE SCREW	4
16	0629135-00	SCREW	2
17	0669400-00	LATCH KIT (Includes Latch, Spring And Rivet)	1

 * 0605739-00 PARTS LISTING

ITEM NUMBER	PART NUMBER	DESCRIPTION	QTY
1	0605739-00	BOTTOM BLOCK ASSEMBLY (Includes Items 2 Through 17) BOTTOM BLOCK ASSEMBLY WITH BULLARD HOOK (Includes Items 2 Through 16)	1
2	6479100-00	HOOK AND LATCH ASSEMBLY BULLARD BURNHAM HOOK ASSEMBLY	1 1
3	0100852-00	HOOK BEARING	1
4	0652673-00	SLOTTED HEX NUT	1
5	0154184-00	COTTER PIN	1
6	0106685-00	HEX NUT (3/4 Inch)	1
7	0150262-00	LOCKWASHER	2
8	0149708-00	NUT	2
9	6414394-01	BLOCK HALF	2
10	0110017-00	RETAINING RING	2
11	0109965-00	SHEAVE	1
12	0100808-00	BEARING	1
13	0107023-00	SHEAVE PIN	1
14	0595028-00	CAPACITY PLATE	1
15	0209149-00	DRIVE SCREW	4
16	0629135-00	SCREW	2
17	0669402-00	LATCH KIT (Includes Spring, Latch And Rivet)	1

* Use Parts Group Checked And State Quantity Required.

When Replacement Parts Are Needed, Order Only YALE® Factory Engineered Parts

HOIST INSPECTION CHECK LIST

SEE PREVENTIVE MAINTENANCE SECTION OF INSTRUCTION MANUAL FOR DETAILS.
 CHECK ONLY COMPONENTS APPLICABLE FOR SPECIFIC EQUIPMENT AND INSPECTION TYPE.

HOIST MODEL _____

HOIST S/N _____

HOOKS		YES	NO	CABLE		YES	NO	CHAINS		YES	NO
RETAINING HARDWARE				BROKEN WIRES AT ENDS		<input type="checkbox"/>	<input type="radio"/>	BINDING.....		<input type="checkbox"/>	<input type="radio"/>
LOOSE.....		<input type="checkbox"/>	<input type="radio"/>	BROKEN WIRES				CRACKED.....		<input type="checkbox"/>	<input type="radio"/>
CRACKS.....		<input type="checkbox"/>	<input type="radio"/>	EXCESSIVE.....		<input type="checkbox"/>	<input type="radio"/>	TWISTED.....		<input type="checkbox"/>	<input type="radio"/>
EXCESSIVE WEAR.....		<input type="checkbox"/>	<input type="radio"/>	EXCESSIVE WEAR.....		<input type="checkbox"/>	<input type="radio"/>	DISTORTED.....		<input type="checkbox"/>	<input type="radio"/>
BENT.....		<input type="checkbox"/>	<input type="radio"/>	KINKED OR DISTORTED.		<input type="checkbox"/>	<input type="radio"/>	CORRODED.....		<input type="checkbox"/>	<input type="radio"/>
SPREADING.....		<input type="checkbox"/>	<input type="radio"/>	CORROSION.....		<input type="checkbox"/>	<input type="radio"/>	EXCESSIVE WEAR.....		<input type="checkbox"/>	<input type="radio"/>
FREELY ROTATE.....		<input type="radio"/>	<input type="checkbox"/>	HEAT DAMAGE.....		<input type="checkbox"/>	<input type="radio"/>	WORN CHAIN GUIDES...		<input type="checkbox"/>	<input type="radio"/>
LATCH DAMAGED.....		<input type="checkbox"/>	<input type="radio"/>								
BRAKES		YES	NO	WIRING		YES	NO	DRUM & SHEAVES		YES	NO
MOTOR BRAKE WORN OR NOT OPERATING.....		<input type="checkbox"/>	<input type="radio"/>	LOOSE CONNECTIONS...		<input type="checkbox"/>	<input type="radio"/>	WORN EXCESSIVELY....		<input type="checkbox"/>	<input type="radio"/>
EXCESSIVE LOADBRAKE DRIFT OR BACKLASH...		<input type="checkbox"/>	<input type="radio"/>	FRAYED.....		<input type="checkbox"/>	<input type="radio"/>	CRACKED OR SCORED...		<input type="checkbox"/>	<input type="radio"/>
EXCESSIVE DISC WEAR.		<input type="checkbox"/>	<input type="radio"/>	DAMAGED.....		<input type="checkbox"/>	<input type="radio"/>	BEARING NOISE.....		<input type="checkbox"/>	<input type="radio"/>
				PROPER GROUNDING....		<input type="radio"/>	<input type="checkbox"/>				
LIMIT SWITCHES		YES	NO	OVERLOAD DEVICE		YES	NO	COLLECTORS		YES	NO
OPERATING PROPERLY..		<input type="radio"/>	<input type="checkbox"/>	OPERATING PROPERLY.. (LIMIT CLUTCH)		<input type="radio"/>	<input type="checkbox"/>	BINDING.....		<input type="checkbox"/>	<input type="radio"/>
								EXCESSIVE WEAR.....		<input type="checkbox"/>	<input type="radio"/>
HOUSING		YES	NO	OPERATION CONTROLS		YES	NO	LUBRICATION		YES	NO
DISTORTED.....		<input type="checkbox"/>	<input type="radio"/>	CONTACTOR FITTING...		<input type="checkbox"/>	<input type="radio"/>	ALL POINTS LUBRICATED AS GIVEN IN LUB CHART.....		<input type="radio"/>	<input type="checkbox"/>
CRACKS.....		<input type="checkbox"/>	<input type="radio"/>	OPERATING PROPERLY..		<input type="radio"/>	<input type="checkbox"/>	OIL DARK OR LOW.....		<input type="checkbox"/>	<input type="radio"/>
LOOSE HARDWARE.....		<input type="checkbox"/>	<input type="radio"/>	DAMAGED PUSH BUTTON HOUSING.....		<input type="checkbox"/>	<input type="radio"/>	OIL LEAKS.....		<input type="checkbox"/>	<input type="radio"/>
SUPPORTING STRUCTURE		YES	NO	AIR SYSTEM		YES	NO	WARNING LABELS		YES	NO
CONTINUED ABILITY TO SUPPORT IMPOSED LOADS.....		<input type="radio"/>	<input type="checkbox"/>	LEAKING.....		<input type="checkbox"/>	<input type="radio"/>	MISSING.....		<input type="checkbox"/>	<input type="radio"/>
WORN OR DISTORTED TROLLEY PARTS.....		<input type="checkbox"/>	<input type="radio"/>	LOOSE CONNECTIONS...		<input type="checkbox"/>	<input type="radio"/>	ILLEGIBLE.....		<input type="checkbox"/>	<input type="radio"/>
				BROKEN CONTROL PENDANT.....		<input type="checkbox"/>	<input type="radio"/>				

NOTE: IF ANY () IS CHECKED DO NOT OPERATE THE HOIST UNTIL REPAIRS HAVE BEEN MADE.

Remarks And Repairs Made _____

Signature _____ Date _____ Clock Number _____

HOIST INSPECTION CHECK LIST

SEE PREVENTIVE MAINTENANCE SECTION OF INSTRUCTION MANUAL FOR DETAILS.
CHECK ONLY COMPONENTS APPLICABLE FOR SPECIFIC EQUIPMENT AND INSPECTION TYPE.

HOIST MODEL _____

HOIST S/N _____

HOOKS		CABLE		CHAINS				
YES	NO	YES	NO	YES	NO			
RETAINING HARDWARE LOOSE.....	<input type="checkbox"/>	<input type="radio"/>	BROKEN WIRES AT ENDS	<input type="checkbox"/>	<input type="radio"/>	BINDING.....	<input type="checkbox"/>	<input type="radio"/>
CRACKS.....	<input type="checkbox"/>	<input type="radio"/>	BROKEN WIRES EXCESSIVE.....	<input type="checkbox"/>	<input type="radio"/>	CRACKED.....	<input type="checkbox"/>	<input type="radio"/>
EXCESSIVE WEAR.....	<input type="checkbox"/>	<input type="radio"/>	EXCESSIVE WEAR.....	<input type="checkbox"/>	<input type="radio"/>	TWISTED.....	<input type="checkbox"/>	<input type="radio"/>
BENT.....	<input type="checkbox"/>	<input type="radio"/>	KINKED OR DISTORTED.....	<input type="checkbox"/>	<input type="radio"/>	DISTORTED.....	<input type="checkbox"/>	<input type="radio"/>
SPREADING.....	<input type="checkbox"/>	<input type="radio"/>	CORROSION.....	<input type="checkbox"/>	<input type="radio"/>	CORRODED.....	<input type="checkbox"/>	<input type="radio"/>
FREELY ROTATE.....	<input type="radio"/>	<input type="checkbox"/>	HEAT DAMAGE.....	<input type="checkbox"/>	<input type="radio"/>	EXCESSIVE WEAR.....	<input type="checkbox"/>	<input type="radio"/>
LATCH DAMAGED.....	<input type="checkbox"/>	<input type="radio"/>				WORN CHAIN GUIDES...	<input type="checkbox"/>	<input type="radio"/>
BRAKES		WIRING		DRUM & SHEAVES				
YES	NO	YES	NO	YES	NO			
MOTOR BRAKE WORN OR NOT OPERATING.....	<input type="checkbox"/>	<input type="radio"/>	LOOSE CONNECTIONS...	<input type="checkbox"/>	<input type="radio"/>	WORN EXCESSIVELY....	<input type="checkbox"/>	<input type="radio"/>
EXCESSIVE LOADBRAKE DRIFT OR BACKLASH...	<input type="checkbox"/>	<input type="radio"/>	FRAYED.....	<input type="checkbox"/>	<input type="radio"/>	CRACKED OR SCORED...	<input type="checkbox"/>	<input type="radio"/>
EXCESSIVE DISC WEAR.	<input type="checkbox"/>	<input type="radio"/>	DAMAGED.....	<input type="checkbox"/>	<input type="radio"/>	BEARING NOISE.....	<input type="checkbox"/>	<input type="radio"/>
			PROPER GROUNDING....	<input type="radio"/>	<input type="checkbox"/>			
LIMIT SWITCHES		OVERLOAD DEVICE		COLLECTORS				
YES	NO	YES	NO	YES	NO			
OPERATING PROPERLY..	<input type="radio"/>	<input type="checkbox"/>	OPERATING PROPERLY.. (LIMIT CLUTCH)	<input type="radio"/>	<input type="checkbox"/>	BINDING.....	<input type="checkbox"/>	<input type="radio"/>
						EXCESSIVE WEAR.....	<input type="checkbox"/>	<input type="radio"/>
HOUSING		OPERATION CONTROLS		LUBRICATION				
YES	NO	YES	NO	YES	NO			
DISTORTED.....	<input type="checkbox"/>	<input type="radio"/>	CONTACTOR PITTING...	<input type="checkbox"/>	<input type="radio"/>	ALL POINTS LUBRICATED AS GIVEN IN LUB CHART.....	<input type="radio"/>	<input type="checkbox"/>
CRACKS.....	<input type="checkbox"/>	<input type="radio"/>	OPERATING PROPERLY..	<input type="radio"/>	<input type="checkbox"/>	OIL DARK OR LOW.....	<input type="checkbox"/>	<input type="radio"/>
LOOSE HARDWARE.....	<input type="checkbox"/>	<input type="radio"/>	DAMAGED PUSH BUTTON HOUSING.....	<input type="checkbox"/>	<input type="radio"/>	OIL LEAKS.....	<input type="checkbox"/>	<input type="radio"/>
SUPPORTING STRUCTURE		AIR SYSTEM		WARNING LABELS				
YES	NO	YES	NO	YES	NO			
CONTINUED ABILITY TO SUPPORT IMPOSED LOADS.....	<input type="radio"/>	<input type="checkbox"/>	LEAKING.....	<input type="checkbox"/>	<input type="radio"/>	MISSING.....	<input type="checkbox"/>	<input type="radio"/>
WORN OR DISTORTED TROLLEY PARTS.....	<input type="checkbox"/>	<input type="radio"/>	LOOSE CONNECTIONS...	<input type="checkbox"/>	<input type="radio"/>	ILLEGIBLE.....	<input type="checkbox"/>	<input type="radio"/>
			BROKEN CONTROL PENDANT.....	<input type="checkbox"/>	<input type="radio"/>			

NOTE: IF ANY (☐) IS CHECKED DO NOT OPERATE THE HOIST UNTIL REPAIRS HAVE BEEN MADE.

Remarks And Repairs Made _____

Signature _____ Date _____ Clock Number _____

Yale®

HOISTS

WARRANTY

Every hoist is thoroughly inspected and tested prior to shipment from the factory. Should any problems develop, return the complete hoist prepaid to your nearest Yale Hoists Authorized Warranty Repair Station.

This warranty does not apply where: (1) deterioration is caused by normal wear, abuse, improper or inadequate power supply, eccentric or side loading, overloading, chemical or abrasive actions, improper maintenance or excessive heat; (2) problems resulted from repairs, modifications or

alterations made by persons other than factory or Yale Hoists personnel; (3) the hoist has been abused or damaged as a result of an accident; (4) repair parts or accessories other than those supplied by Yale Hoists are used on the hoist. Equipment and accessories not of the seller's manufacture are warranted only to the extent that they are warranted by the manufacturer. EXCEPT AS STATED HEREIN, YALE HOISTS MAKES NO OTHER WARRANTIES, EXPRESS OR IMPLIED, INCLUDING WARRANTIES OF MERCHANTABILITY AND FITNESS FOR A PARTICULAR PURPOSE.

Improvements:

Yale Hoists is constantly striving to improve its product. Changes in design and improvements will be made whenever manufacturer believes the efficiency of the product will be improved without incurring any obligation to incorporate such improvements in any products which have been shipped or are in service.

Important Notice:

Use of chain, wire rope or replacement parts other than as supplied as original equipment on Yale hoists may lead to dangerous operation. Accordingly, Yale Hoists cannot be responsible in such cases and our warranty will be voided.

For more information, write Yale Hoists, Forrest City, Arkansas 72335.

Yale® HOISTS
3105 N. Washington
P. O. Box 1000
Forrest City, Arkansas 72335
Customer Service (800) 999-6318
FAX (800) 766-0223