



## **IMPORTANT SAFETY INSTRUCTIONS**

Please read this manual carefully and follow its instructions. Improper use or failure to follow these instructions could result in serious injury, death or property damage. Operators should be instructed in the safe and proper use and maintenance of this product. Keep this manual for future reference.

The following safety precautions call attention to potentially dangerous conditions.



**DANGER:** Immediate hazards which **WILL** result in severe personal injury or death.



**WARNING:** Hazards or unsafe practices which **COULD** result in severe personal injury or death.



**CAUTION:** Hazards or unsafe practices which **MAY** result in *minor* personal injury or product or property damage.

**NOTE:** Instruct operators in the safe, proper use and maintenance. Keep this manual for future reference.

## **INSTALLATION**



**WARNING:** Failure to read, understand, and follow these instructions may result in hazards or unsafe practices **COULD** result in severe personal injury or death.



**CAUTION:** Operators need to be instructed on the safe, proper use and maintenance of this product. Keep this manual for future references. Hazards or unsafe practices **MAY** result in *minor* personal injury or product or property damage.

### **MOUNTING**

Mark and drill mounting holes using mounting bracket as a template. Mount bracket to mounting surface and mount reel to bracket. Remove intake-cover and connect intake hose. Re-install intake cover.

Reels come complete with hose and are set at proper tension, ready to install. Reels can be mounted in any position, which allows main shaft to be horizontal. When mounted overhead, in base up position, add a secondary chain, bracket, or other safety device to prevent the reel from falling in case the mounting bolts are removed or become loosened from vibration. See SECONDARY SUPPORT CHAIN below.

Reels should be mounted with centerline of drum in line with hose run and mounted reel on level surface.

### **SECONDARY SUPPORT CHAIN**



**DANGER:** A secondary safety cable or chain is to be attached to all reels mounted overhead to prevent reel from falling. Immediate hazards **WILL** result in severe personal injury or death.

## **ADJUSTMENT**

### **SPRING TENSION**



**CAUTION:** Failure to test for adequate spring revolutions can cause damage. Hazards or unsafe practices **MAY** result in *minor* personal injury or product or property damage.

**NOTE:** Adjust tension before or after installation of reel. **DO NOT** connect working end of hose until the reel is properly pretensioned.

Add or remove spring tension by holding drum in position while manually winding hose around drum.

## SERVICE

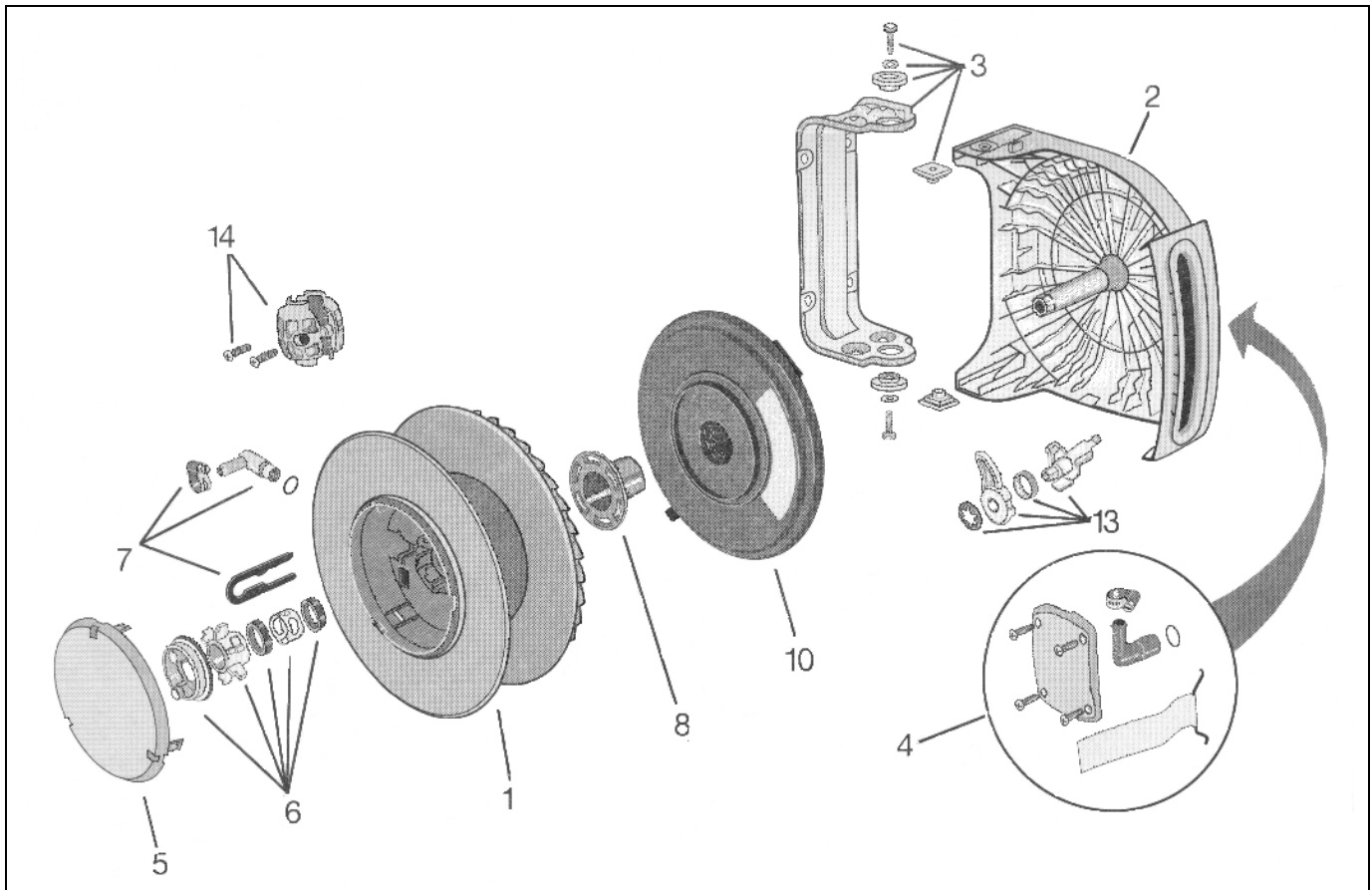
**WARNING:** Remove all spring tension before attempting any service. Hazards or unsafe practices **COULD** result in severe personal injury or death.

Remove drum cover and disengage end lock by pressing and turning 90 degrees. Remove end lock and retainer ring by lightly prying out one contact point and sliding the ring off. Remove drum, spring hub, and spring cassette by lightly prying out one retaining tab (from outside of housing) and sliding the cassette out. Install new spring cassette. Install spring hub and drum. Install retainer ring by firmly pressing the ring onto the shaft (contact points facing out). Install and engage end lock by sliding positioning and rotating lock fingers under retaining ring contact points. Turn until snug. Install drum cover.

### HOSE REPLACEMENT

Remove hose body from drum by unwinding off spool. Remove drum cover and clevis lock by firmly pulling straight out. Remove hose nipple by firmly pulling straight out from drum. Replace hose on nipple. Install nipple, clevis lock and drum cover.

### REPLACEMENT PARTS



Reference Number	Part Number	Qty.	Description
1	H42340010	1	Drum (includes packing & bearing)
2	H22110409	1	Housing
3	H16510019	1	Wall Bracket
4	H22720008	1	Intake nipple (1/4 inch I.D. hose: D412) and cover assembly
	H22720009	1	Intake nipple (3/8 inch I.D. hose: D413) and cover assembly
5	H22710021	1	Drum cover
6	H82420007	1	End lock, retainer ring and swivel assembly
7	H73120003	1	Clevis lock and hose nipple (1/4 inch I.D. hose: D412)
	H73120004	1	Clevis lock and hose nipple (3/8 inch I.D. hose: D413)
8	H51910024	1	Spring hub
10	H41220123	1	Spring cassette
13	H46230018	1	Ratchet assembly
14	H33340006	1	Hose stop (1/4 inch I.D. hose: D412)
	H33340007	1	Hose stop (3/8 inch I.D. hose: D413)
--	H73130029	1	Hose; 1/4 inch I.D. (D412)
--	H73130030	1	Hose; 3/8 inch I.D. (D413)

**Aero-Motive Company**

**W** A Woodhead Industries Inc. Subsidiary  
 PO Box 2678  
 Kalamazoo, MI 49003-2678  
 (616) 337-7700  
 (800)-999-8559  
 FAX: (800) 333-6119

**AKAPP Electro Industrie**

**W** A Woodhead Industries Inc. Subsidiary  
 Nijverheidsweg 14 Box 54  
 NL-3771 ME Barneveld  
 NL-3771 AB Barneveld  
 Holland  
 011-31-3420-14022  
 FAX: 011-31-3420-92384

**Aero-Motive (UK)  
 Limited**

**W** A Woodhead Industries Inc. Subsidiary  
 Rassau Industrial Estate  
 Ebbw Vale Gwent NP3 5SD  
 United Kingdom  
 (0495) 350436  
 FAX: (0495) 350877

**Woodhead Asia PTE LTD**

**W** A Woodhead Industries Inc. Subsidiary  
 401 Commonwealth Drive #04-04  
 Haw Par Technocentre  
 Singapore 0314  
 (65) 479 6533  
 FAX: (65) 479 3588

**Woodhead Canada LTD.**

**W** A Woodhead Industries Inc. Subsidiary  
 1090 Brevik Place  
 Mississauga Ontario  
 L4W 3Y5 Canada  
 (905) 624-6518  
 FAX: (905) 624-9151