

Aero-Motive® Hose Reels

Woodhead Canada LTD.

W A Woodhead Industries Inc. Subsidiary
Mississauga Ontario Canada
(905) 624-1079 FAX: (905) 624-9151
www.woodhead.ca

Aero-Motive Company

W A Woodhead Industries Inc. Subsidiary
Kalamazoo, MI USA
(269) 337-7700 FAX: (800) 333 6119
www.aeromotive.com
techhelp@aeromotive.com

SERVICE MANUAL

IMPORTANT SAFETY INSTRUCTIONS

Please read this manual carefully and follow its instructions.

The following safety precautions call attention to potentially dangerous conditions.



DANGER: Immediate hazards which **WILL** result in severe personal injury or death.



WARNING: Hazards or unsafe practices which **COULD** result in severe personal injury or death.



CAUTION: Hazards or unsafe practices which **MAY** result in *minor* personal injury or product or property damage.



WARNING: Failure to read, understand or follow these instructions could lead to hazards or unsafe practices which **COULD** result in severe personal injury or death.



CAUTION: Operators need to be instructed on the safe, proper use and maintenance of this product. Keep this manual for future reference. Hazards or unsafe practices **MAY** result in *minor* personal injury or product or property damage.

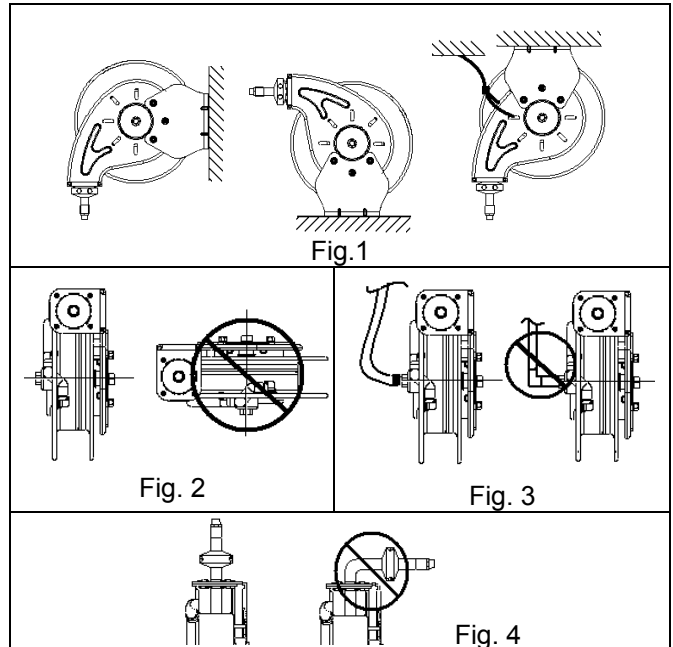
INSTALLATION

MOUNTING

Reels complete with hose come set at proper tension and are ready to install.
(Fig. 1) The fixed base of reel allows mounting in several different positions including wall mounted, base down, or base up. If moving guide arm, three nuts (17mm SS, or 19mm painted) on side of reel must be removed.

General Mounting Requirements

- (Fig. 2) Main-shaft must be horizontal.
- (Fig. 3) Swivel inlet must be connected with flexible hose. Rigid pipe may cause premature wear and affect performance.
- (Fig. 4) Centerline of spool assembly must be in-line with hose pull out. To adjust guide arm, remove screws holding it to base and rotate to desired group of mounting holes.

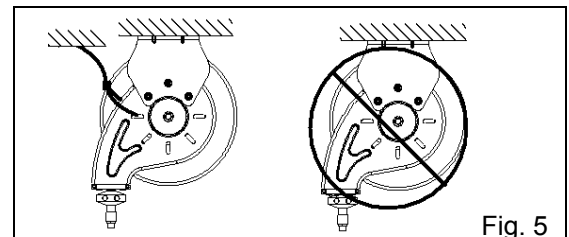


WARNING: A secondary support chain is required for all objects mounted over head to protect personnel in case of failure in mounting hardware or structure.

SECONDARY SUPPORT

(Fig. 5) Attach support cable/chain to one of the slots in guide arm. Other end of support cable to be attached to a support other than main one supporting the hose reel.

The safety chain/cable should allow reel to drop no more than 6 to 12 inches if primary connection is released.



ADJUSTMENT

RATCHET LOCK

**CAUTION:**

To avoid damage to the reel or personnel, always hold on to hose while it is rewinding. Hazards or unsafe practices which MAY result in *minor* personal injury or product or property damage.

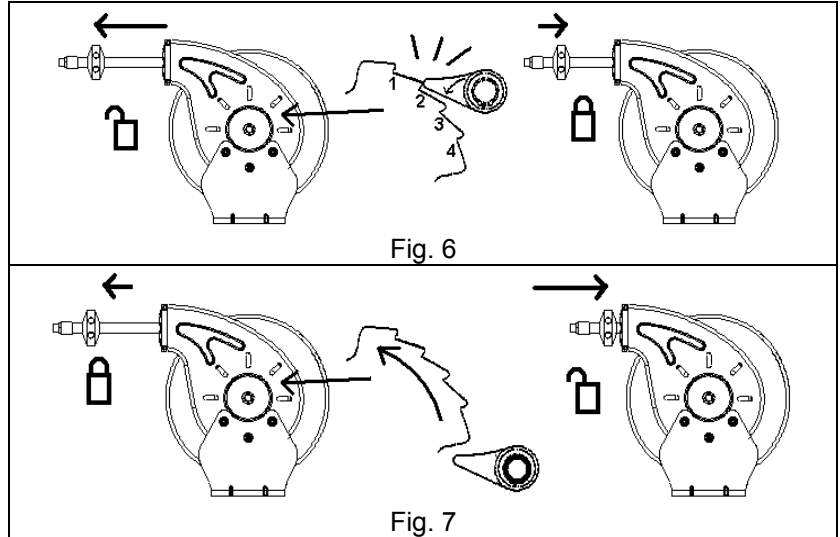
Ratchet “clicks” four times every half spool revolution.

(Fig. 6) To latch reel, slowly pull out hose and allow it to retract after clicks 1-4.

(Fig. 7) To unlatch, slowly pull out hose until “clicking” stops, then let hose rewind until hose stop rests against guide.

To disable ratchet, see section in servicing on “Ratchet Lock Replacement/Removal”.

Ratchet plate is held on with 10mm nuts.



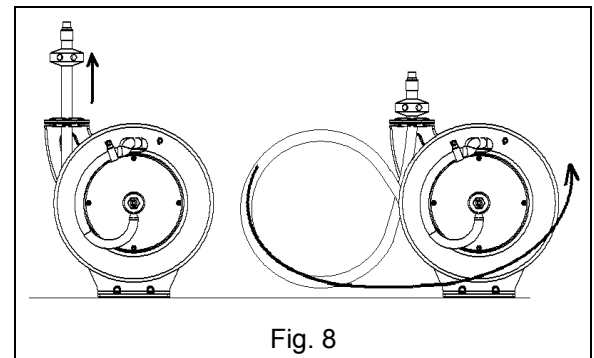
TENSION ADJUSTMENT

**CAUTION:**

Always leave at least 1-2 turns between full extension and when the spring is wound tight. If entire hose cannot be pulled out, decrease tension until full extension is possible. Failure to test for adequate spring revolutions can cause damage to reel. Hazards or unsafe practices MAY result in *minor* personal injury or product or property damage.

Reels shipped with hose are pre-tensioned at factory. Reels shipped without hose are pretensioned after installing hose, but before making final hose or inlet connections.

(Fig. 8) To pre-tension hose reel, pull hose out to allow one full wrap of hose to be looped back over drum assembly. Hold drum from turning by engaging ratchet (fig. 6), and loop hose back on drum. Repeat until desired tension is achieved. After tension is set, pull out hose. If full hose extension is not possible, remove pre-tension turns as needed by reversing process.



SERVICE

**CAUTION:**

Remove all tension before servicing. Hazards or unsafe practices MAY result in *minor* personal injury, product or property damage.

**WARNING:**

Before performing any service, always disconnect and lock out compressed air or fluid, and remove all spring tension. Hazards or unsafe practices COULD result in *severe* personal injury or death.

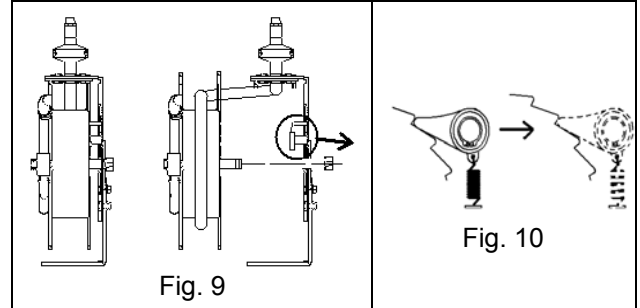
HOSE INSTALLATION AND REPLACEMENT

Remove all tension from reel (see “Tension Adjustment”). Remove hose-stop, remove strain relief (8mm nut) unwind hose from reel, and unscrew hose from swivel (round body is 24mm hex, or square body is 27mm hex). Feed new hose through roller guide and through slot in flange. Then connect hose to swivel (use thread tape or sealant), wind onto drum assembly, and re-tension reel.

RATCHET LOCK REPLACEMENT/REMOVAL

To replace or remove ratchet:

- Turn off or lockout air/fluid supply to reel
- Remove all tension, see “Tension Adjustment”
- (Fig. 9) Remove spool from stand (24mm nut)
- (Fig. 10) Replace or remove ratchet lock and spring
- Replace spool and tighten shaft nut (24mm).
- Retension, see “Tension Adjustment”



MAINSRING ASSEMBLY REPLACEMENT



WARNING: Never remove spring from its sealed container. Replacement springs are in a sealed assembly for safety. There is no need to remove them. Serious injury or death COULD result from removal of spring from its container.

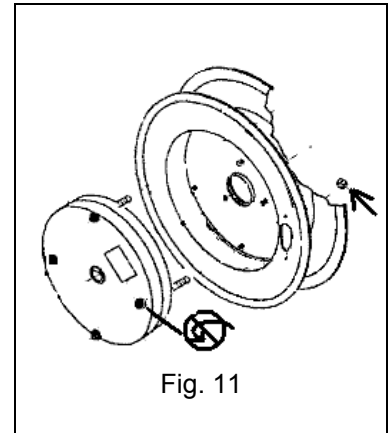
NOTE: If spring is to be replaced when not broken make sure to remove all tension before proceeding.

If reel has no retraction tension then main-spring likely needs replacement. To replace main-spring:

- Turn off or lockout air/fluid supply to reel
- Remove supply hose to swivel
- Remove swivel by loosening its hex end (round body is 24mm or, square body is 27mm).
- Remove retaining ring and spacer washers from main-shaft
- (Fig. 11) Remove spring pocket nuts from stand side of drum

NOTE: If plastic spool, complete spool/axle assembly is replaced (fig.9).

- Pull containerized spring pocket assembly off drum axle (If plastic spool, axle is part of spool assembly.)
- Reverse procedure to reassemble (use thread tape or sealant on hose connections) and retension reel, see “Tension Adjustment”

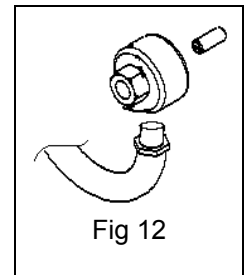


SWIVEL REPLACEMENT

NOTE: Swivel only sold as complete assembly. If o-rings leak, complete swivel must be replaced.

To replace swivel:

- Turn off or lockout air/fluid supply to reel
- Remove all tension from reel (see Tension Adjustment)
- Disconnect supply hose to swivel
- (Fig. 12) Remove swivel by loosening hex end (round body is 24mm or, square body is 27mm) and disconnect spool hose
- Reverse above procedure and install new swivel (use thread tape or sealant on connections).



PREVENTATIVE MAINTENANCE

Hose

- Check wear near hose-stop and end fitting. If barb fitting or hose is damaged, then cut off hose end and reattach new barb fitting and clamp.
- Check wear along entire hose length. Replace if needed.

Swivel

- Check leaks by spraying with soapy water from hand spray bottle. If bubbles form, replace swivel.

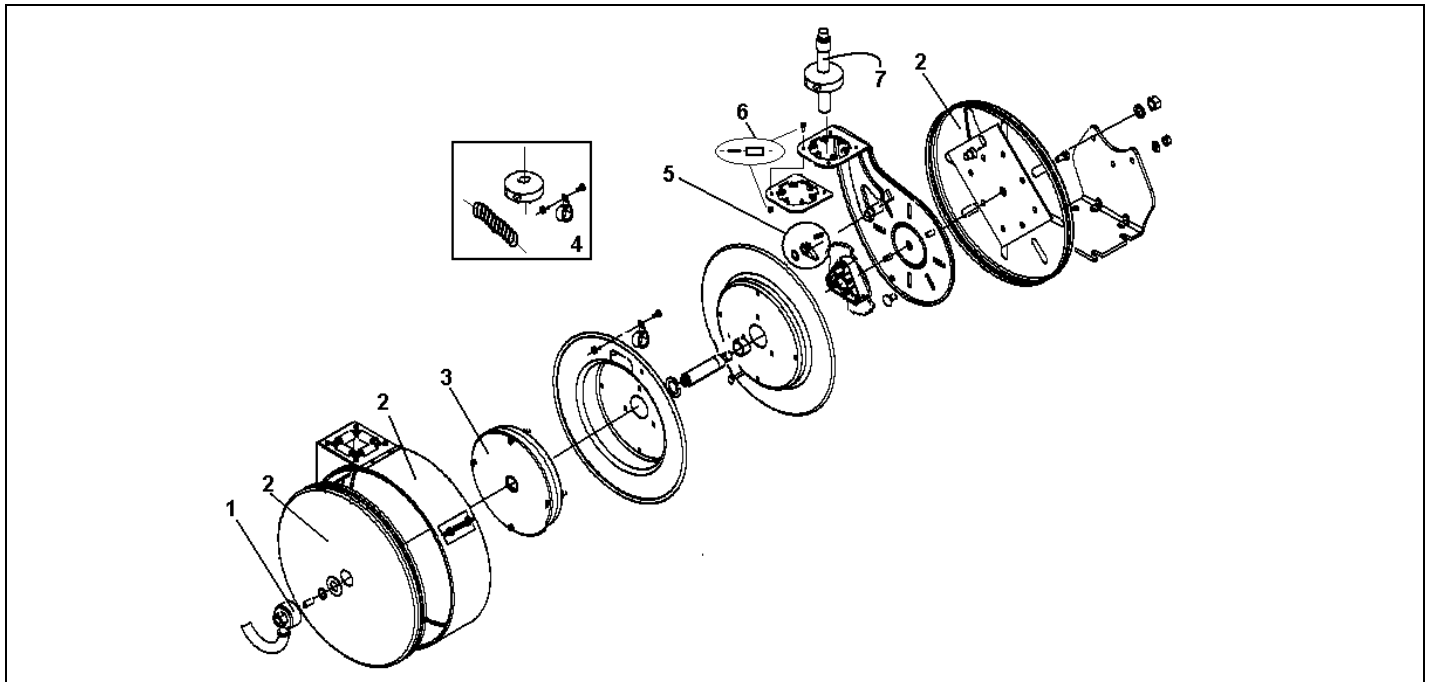
Roller Guide

- Check rollers for wear. If rollers on one side have more wear than the others, then guide position might need readjustment (fig. 4).

Mounting

- Check tightness of mounting bolts, and condition of safety cable/chain and attachment points.

REPLACEMENT PARTS



Reference Number	Part Number	Qty.	Description
1	H72320025	1	Swivel; 1/4" 300 & 3000 PSI. Brass & Stainless
	H72320034		Swivel; 3/8" 300 & 3000 PSI Brass & Stainless
	H72320036		Swivel; 1/2" 300 & 3000 PSI Brass & Stainless
	H72320037		Swivel; 1/4" 5000 PSI Brass & Stainless
	H72320028		Swivel; 3/8" 5000 PSI Brass & Stainless
	H72320030		Swivel; 3/8" 300 PSI Stainless
	H72320043		Swivel; 1/2" 300 PSI Stainless
2	H22520016	1	Cover Kit, 3 Pcs, Painted Steel , Spool 14.5" Dia (16mm bolts, 10mm band clamps)
	H22520017		Cover Kit, 3 Pcs, Stainless Steel, Spool 14.5" Dia. (16mm bolts, 10mm band clamps)
	H22520018		Cover Kit, 3 Pcs, Painted Steel, Spool 19.5" Dia. (19mm bolts, 10mm band clamps)
	H22520019		Cover Kit, 3 Pcs, Stainless Steel, Spool 19.5" Dia. (19mm bolts, 10mm band clamps)
3	H22510082	1	Spring and Plastic Spool Assembly for W Series
	H41220172		Spring Assembly for low pressure A Series
	H41220178		Spring Assembly for low pressure B Series
	H41220173		Spring Assembly for medium pressure A Series
	H41220179		Spring Assembly for medium pressure B Series
	H41220174		Spring Assembly for high pressure A Series
	H41220180		Spring Assembly for high pressure B Series
	H41220175		Spring Assembly for Stainless low pressure A Series
	H41220181		Spring Assembly for Stainless low pressure B Series
	H41220176		Spring Assembly for Stainless medium pressure A Series
	H41220182		Spring Assembly for Stainless medium pressure B Series
H41220177	Spring Assembly for Stainless high pressure A Series		
H41220183	Spring Assembly for Stainless high pressure B Series		
4	H73130044	1	Hose Stop Kit 1/4" ID
	H73130045		Hose Stop Kit 3/8" ID
	H73130046		Hose Stop Kit 1/2" ID
5	H46220008	1	Ratchet Kit, Spool 12" Dia.
	H46220010		Ratchet Kit, Spool 14.5" Dia. & 19.5" Dia.
6	H44110031	1	Roller Kit, Kit of 6 Rollers and Pins, (open reels only) (8mm nuts)
7	H71130047	1	Hose Kit; 1/4" 30ft, 300 PSI, PVC
	H71130050		Hose Kit; 3/8" 30ft, 300 PSI, PVC
	H71130052		Hose Kit; 3/8" 50ft, 300 PSI, PVC
	H71130054		Hose Kit; 1/2" 30ft, 300 PSI, PVC
	H71130055		Hose Kit; 1/2" 50ft, 300 PSI, PVC
			Call factory for other hose kits.