

AERO-MOTIVE COMPANY



A Woodhead Industries, Inc. Subsidiary

## IMPORTANT SAFETY INSTRUCTIONS

Please read this manual carefully and follow its instructions. Improper use or failure to follow these instructions could result in serious injury, death or property damage. Operators should be instructed in the safe and proper use and maintenance of this product. Keep this manual for future reference.

The following safety precautions call attention to potentially dangerous conditions.



**DANGER:** Immediate hazards which **WILL** result in severe personal injury or death.



**WARNING:** Hazards or unsafe practices which **COULD** result in severe personal injury or death.



**CAUTION:** Hazards or unsafe practices which **MAY** result in *minor* personal injury or product or property damage.

**NOTE:** Instruct operators in the safe, proper use and maintenance. Keep this manual for future reference.

## APPLICATION



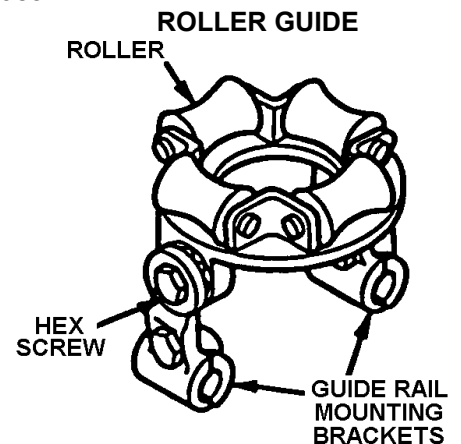
**WARNING:** Failure to read, understand, and follow these instructions will create hazards or unsafe practices which **COULD** result in severe personal injury or death.



**CAUTION:** Operators need to be instructed on the safe, proper use and maintenance of this product. Keep this manual for future references. Hazards or unsafe practices **MAY** result in *minor* personal injury or product or property damage.

**NOTE:** The roller guide is designed to direct cable or hose onto a reel with ease.

Avoid pulling cable at sharp angles over a roller which has a diameter less than 12 times that of the cable because it will severely shorten cable life. Do not wrap multiple conductor cables sharply around a roller because it will shorten the life of the cable. Do not bend cable around an undersized roller due to snubbing condition which decrease reel rewind response.

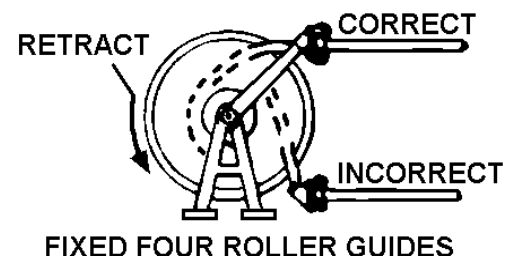


## TYPE "F" FOUR ROLLER GUIDE

Use the type "F" guide when cable is pulled in one direction only. Adjust cable guide rail mounting brackets so that the cable is pulled out in a line tangent to drum surface. To adjust cable guide to form a right angle with the travel of

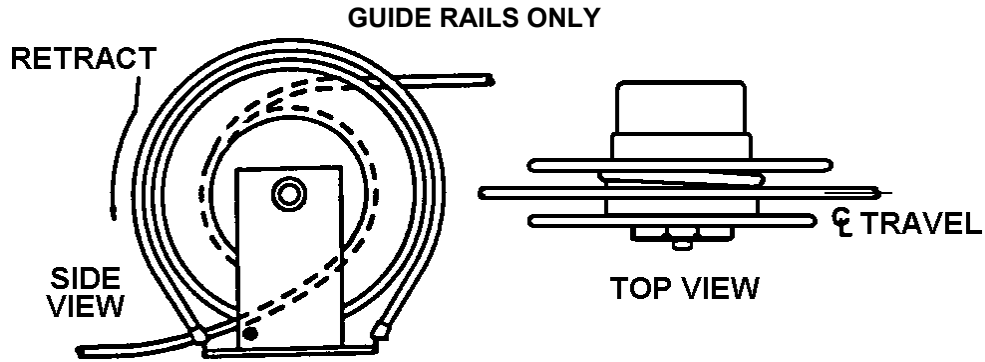
the

cable, loosen guide rail mounting brackets. Attach roller guide around guide rails. Loosen hex screws, and rotate roller guide to the proper angle as shown on the right.

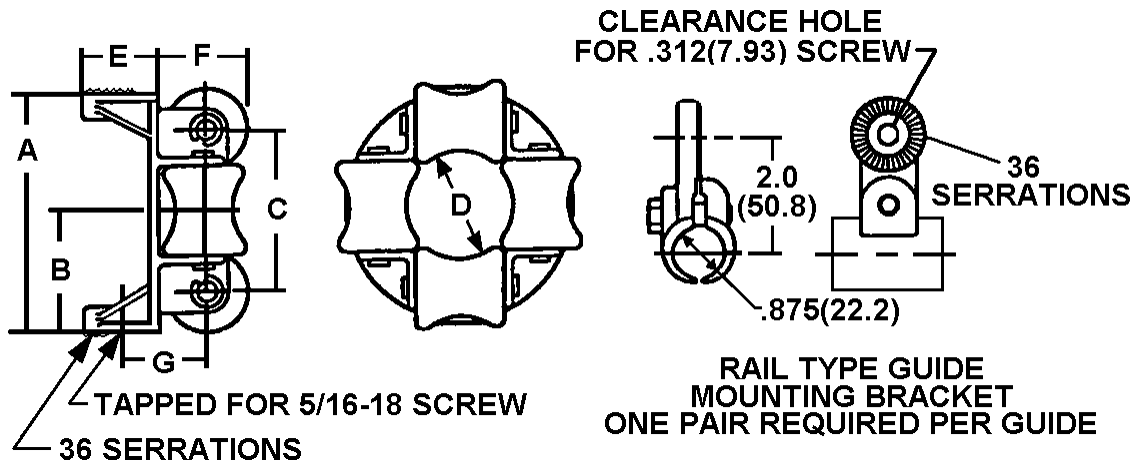


## GUIDE RAILS

Use guide rails only is cable is to be paid out directly in line with drum. There must not be a tendency for the cable to pull to either side. Align guide rails with reels flanges.



## CABLE GUIDE DIMENSIONS



CATALOG NUMBER	TYPE OF CABLE GUIDE	MAX. CABLE DIA. Inches (mm)	A Inches (mm)	B Inches (mm)	C Inches (mm)	D Inches (mm)	E Inches (mm)	F Inches (mm)	G Inches (mm)
2-FM-YE	4 ROLLER	1.50** (38.1)**	4 (101.6)	2 (50.8)	2.69 (68.3)	1.75 (44.5)	1.25 (31.8)	1.31 (33.8)	1.38 (35.1)
3-FM-YE	4 ROLLER	2.00** (50.8)**	4 (101.6)	2 (50.8)	3.75 (95.3)	2.38 (60.5)	1.25 (31.8)	1.25 (31.8)	1.81 (46.0)

\*\*RECOMMENDED

ALL DIMENSIONS ARE SHOWN IN DECIMAL INCHES AND MILLIMETERS.

### Aero-Motive Company

**W** A Woodhead Industries Inc. Subsidiary  
PO Box 2678  
Kalamazoo, MI 49003-2678  
(616) 337-7700  
(800)-999-8559  
FAX: (800) 333-6119

### AKAPP Electro Industrie

**W** A Woodhead Industries Inc. Subsidiary  
Nijverheidsweg 14 Box 54  
NL-3771 ME Barneveld  
NL-3771 AB Barneveld  
Holland  
011-31-3420-14022  
FAX: 011-31-3420-92384

### Aero-Motive (UK) Limited

**W** A Woodhead Industries Inc. Subsidiary  
Rassau Industrial Estate  
Ebbw Vale Gwent NP3 5SD  
United Kingdom  
(0495) 350436  
FAX: (0495) 350877

### Woodhead Asia PTE LTD

**W** A Woodhead Industries Inc. Subsidiary  
401 Commonwealth Drive #04-04  
Haw Par Technocentre  
Singapore 0314  
(65) 479 6533  
FAX: (65) 479 3588

### Woodhead Canada LTD.

**W** A Woodhead Industries Inc. Subsidiary  
1090 Brevik Place  
Mississauga Ontario  
L4W 3Y5 Canada  
(905) 624-6518  
FAX: (905) 624-9151