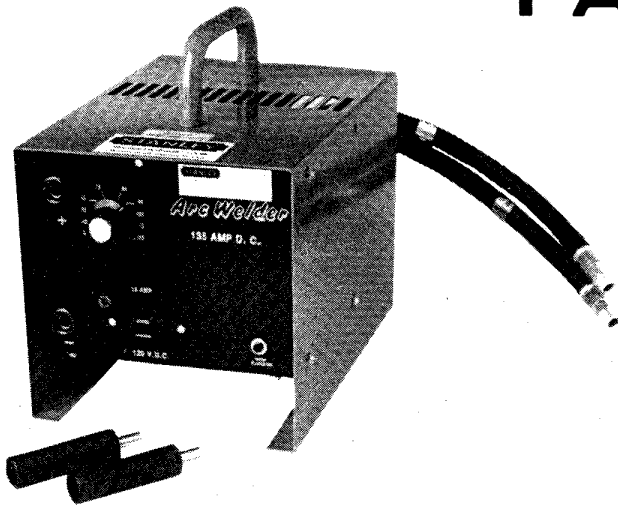


STANLEY
helps you do things right

Stanley Hydraulic Tools
Division of The Stanley Works
3810 S.E. Naef Road
Milwaukie, Oregon 97222
Phone: 503/659-5660
Telex: 360771

PARTS LIST



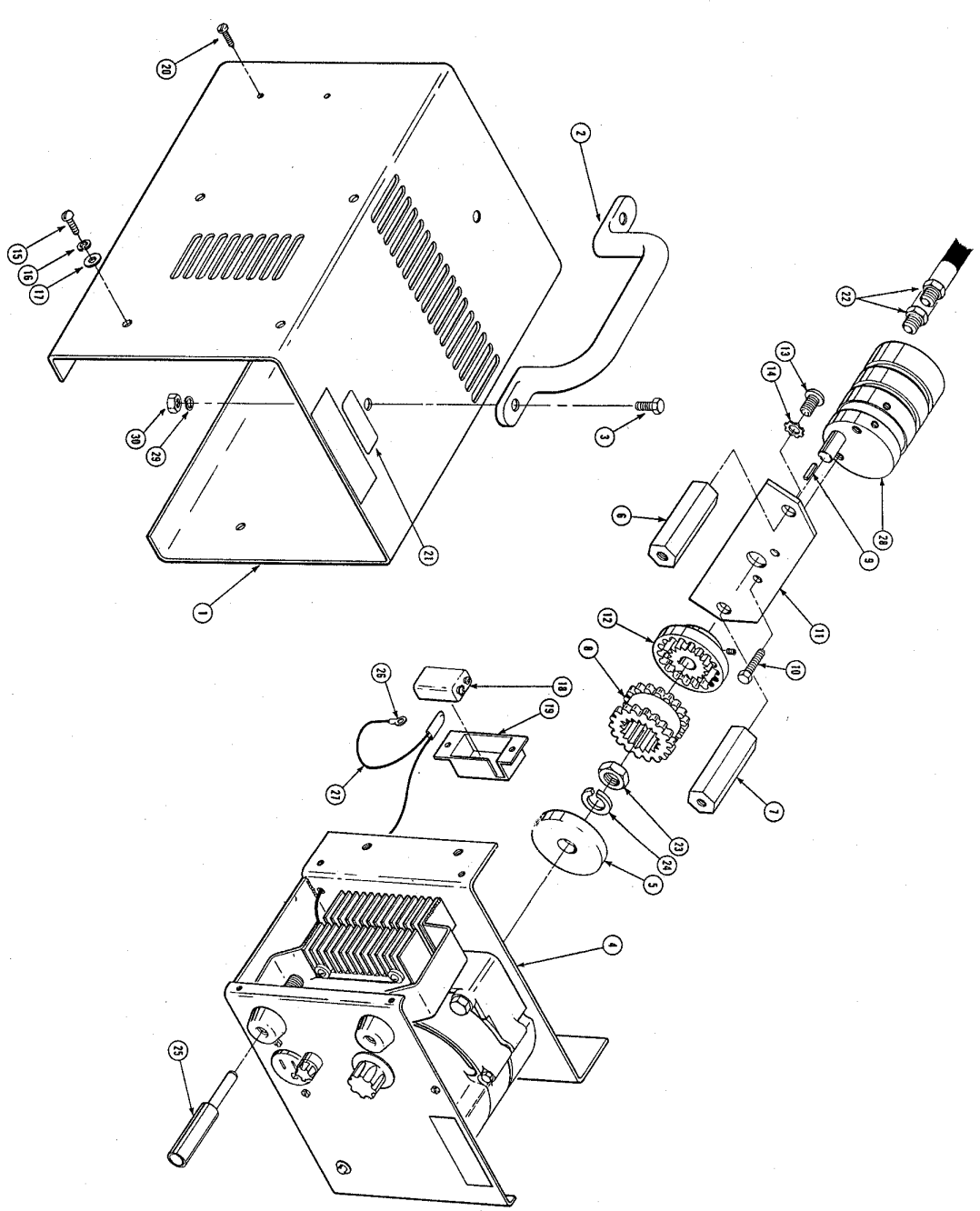
WD135

SPECIFICATIONS

Weight	35 lbs/15.8 kg
Pressure Range	1500-2000 psi/105-140 bar
Flow Range	10-11 gpm/38-41 lpm
Optimum Flow	11 gpm/41 lpm
Porting	3/8 pipe hose end
Length	13.5 in/34.3 cm
Width	9 in/22.8 cm
Capacity	135 amp dc

MODEL WD135

WELDER



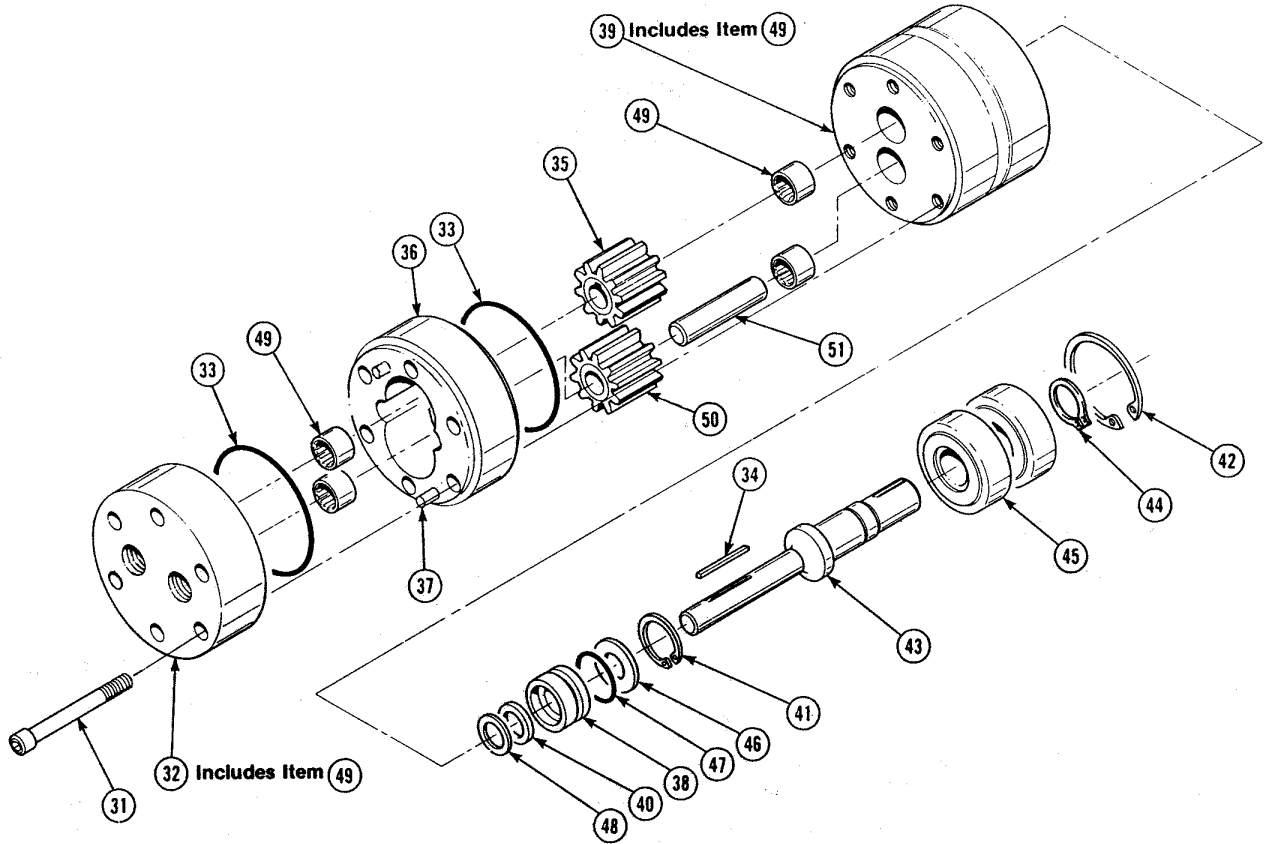
Illus. Index No.	Part No.	Qty. Per Unit	PART NAME
1	04408	1	Welder Shroud
2	04409	1	Welder Nut
3	02072	2	Cap Screw, 5/16-18 x 3/8 Hex Soc. Hd.
4	04410	1	Welder Nut Assembly
5	04411	1	Flange Modified
6	04412	1	Stand-off, 3/8
7	04413	1	Stand-off, 5/16
8	04414	1	Coupler Sleeve - Woods 4LE
9	04415	1	Key
10	04416	2	Cap Screw, 5/16-18 x 1/2 Hex Hd.
11	04423	1	Motor Mount
12	04424	1	Coupler Flange - Woods 4LX1/2
13	01947	1	Lock Washer, 3/8 x 1/2 Hex Soc. Hd.
14	04418	1	Lock Washer, 3/8 x 1/2 Hex Soc. Hd.
15	04419	8	Machine Screw, 10-32 x 3/8 Fan Hd. (Plated)
16	04420	8	Lock Washer, #10 Helical Spring
17	03014	8	Washer, #10 Type A Plain
18	04424	1	Battery - NEBA No. 9
19	04425	1	Battery Box
20	04426	2	Tapping Screw, #8-1/4 Std'd Pan Hd.
21	04427	1	Hose Assembly
22	01412	2	Strut Nut
23	04881	1	Lock Washer
24	04882	1	Lock Washer
25	04883	1	Lock Washer
26	04422	1	Solderless Terminal - Allied 975-6708
27	04421	1	Battery Clip - Allied No. 910-5205
28	04406	1	Motor Assembly (Incl. Items 31 thru 51)
29	03031	1	Lock Washer
30	00429	2	Hex Nut

⊙ Denotes Part in Seal Kit
 NOTE: Use Part Number and Part Name When Ordering.

SEAL KIT DATA

Part No.	Qty.	Description
Seal Kit Part No. 01166		
00012	1	O-Ring
00014	1	Gasket Ring
00015	1	Seal Liner
00016	1	O-Ring
00020	2	O-Ring
00655	1	Seal Liner Washer

HYDRAULIC MOTOR ASSEMBLY 04406



Illus. Index No.	Part No.	Qty. Per Unit	PART NAME
31	00025	6	Capscrew, 10-24 x 1-3/4 Hex Soc. Hd.
32	03433	1	Rear Bearing Retainer Assembly
33	00020	2	O-Ring, 1.670 x 1.810 x .070 (90 Duro) ⊙
34	00987	1	Key
35	00763	1	Gear w/Keyway
36	00454	1	Gear Housing
37	00061	2	Dowel Pin
38	00015	1	Seal Liner ⊙
39	03419	1	Front Bearing Retainer Assembly
40	00014	1	Quad Ring, 5/16 x 7/16 x 1/16 ⊙
41	00011	1	Retaining Ring

Illus. Index No.	Part No.	Qty. Per Unit	PART NAME
42	00118	1	Retaining Ring, 1-1/4 Internal
43	00886	1	Motor Shaft
44	00008	1	Retaining Ring, 19/32 External
45	00007	2	Bearing
46	02556	1	Washer
47	00016	1	O-Ring, 9/16 x 11/16 x 1/16 (70 Duro) ⊙
48	00655	1	Seal Liner Washer ⊙
49	05458	4	Bushing Assy
50	00475	1	Gear
51	00060	1	Idler Shaft

STANLEY
helps you do things right

Stanley Hydraulic Tools
Division of The Stanley Works
3810 S.E. Naef Road
Milwaukie, Oregon 97222
Phone: 503/659-5660
Telex: 360771