

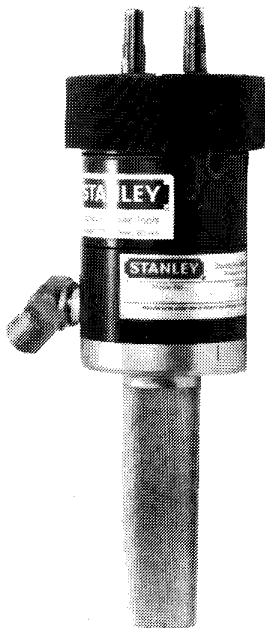
**STANLEY**

helps you do things right

**Stanley Hydraulic Tools**

Division of The Stanley Works  
3810 S.E. Naef Road  
Milwaukie, Oregon 97267  
Phone: 503/659-5660  
Telex: 360771

## PARTS LIST



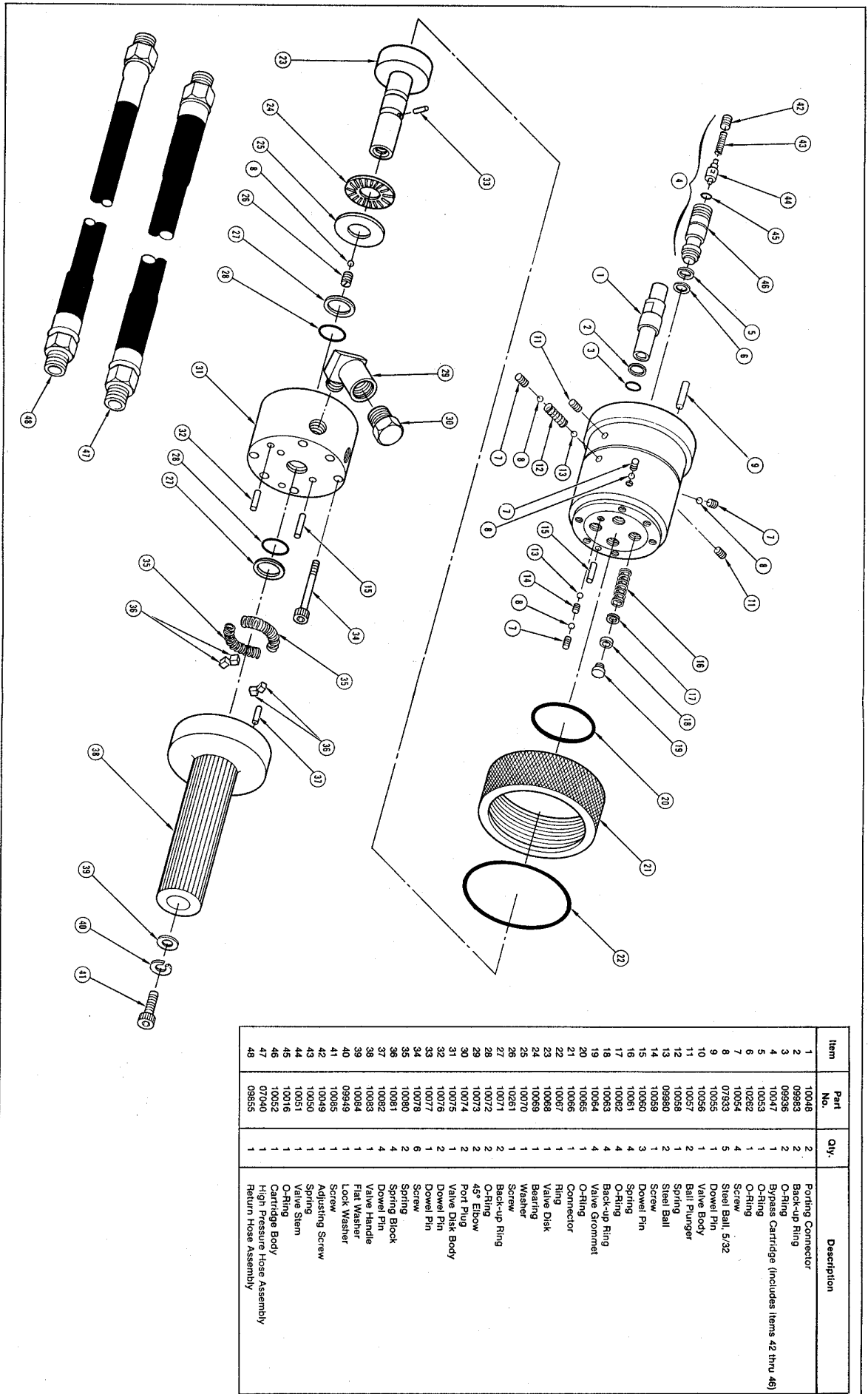
**RV04**  
**10,000 PSI**

### SPECIFICATIONS

Mode	Rotary, Open center, Automatic return
Weight	3 lb/1.4 kg (without hoses)
Width	3 in./7.6 cm
Length	9.75 in./24.8 cm
Porting	1/4 NPT Female

**MODEL RV04**  
10,000 PSI

**ROTARY**  
**VALVE**



Item	Part No.	Qty.	Description
1	10048	2	Porting Connector
2	09983	2	Back-up Ring
3	09936	2	O-Ring
4	10047	1	Bypass Cartridge (includes items 42 thru 46)
5	10053	1	O-Ring
6	10282	1	O-Ring
7	10054	1	Screw
8	07933	5	Steel Ball, 5/32
9	10055	1	Valve Pin
10	10056	1	Valve Body
11	10057	2	Ball Plunger
12	10058	1	Spring
13	09980	2	Steel Ball
14	10059	1	Screw
15	10060	3	Dowel Pin
16	10061	4	O-Ring
17	10062	4	Back-up Ring
18	10063	4	Valve Grommet
19	10064	4	O-Ring
20	10065	1	Connector
21	10066	1	Ring
22	10067	1	Valve Disk
23	10068	1	Bearing
24	10069	1	Washer
25	10070	1	Screw
26	10261	2	Back-up Ring
27	10071	2	O-Ring
28	10072	2	45° Elbow
29	10073	2	Port Plug
30	10074	2	Valve Disk Body
31	10075	1	Dowel Pin
32	10076	2	Dowel Pin
33	10077	6	Screw
34	10078	2	Spring
35	10080	4	Spring Block
36	10081	4	Dowel Pin
37	10082	4	Valve Handle
38	10083	1	Flat Washer
39	10084	1	Lock Washer
40	09949	1	Lock Washer
41	10085	1	Screw
42	10049	1	Adjusting Screw
43	10050	1	Spring
44	10051	1	Valve Stem
45	10052	1	O-Ring
46	10016	1	Cartridge Body
47	07040	1	High Pressure Hose Assembly
48	09855	1	Return Hose Assembly

**STANLEY**<sup>®</sup>  
helps you do things right

**Stanley Hydraulic Tools**

Division of The Stanley Works  
3810 S.E. Naef Road  
Milwaukie, Oregon 97267  
Phone: 503/659-5660  
Telex: 360771