

STANLEY
helps you do things right

Stanley Hydraulic Tools
Division of The Stanley Works
(formerly Ackley Manufacturing Co.)
13770 S. E. Ambler Road
Clackamas, Oregon 97015
Phone: 503/659-5660

PARTS LIST

**PR25 &
PR28**

SPECIFICATIONS

	Aluminum	Epoxy
Weight	9.1 lbs/4.1 kg	10.1 lbs/4.5 kg
Flow Range. . . .	4-10 gpm/15.2-37.8 lpm	4-10 gpm/15.2-37.8 lpm
Porting	3/8"	3/8"
Dimensions	84 in. length	213.36 cm

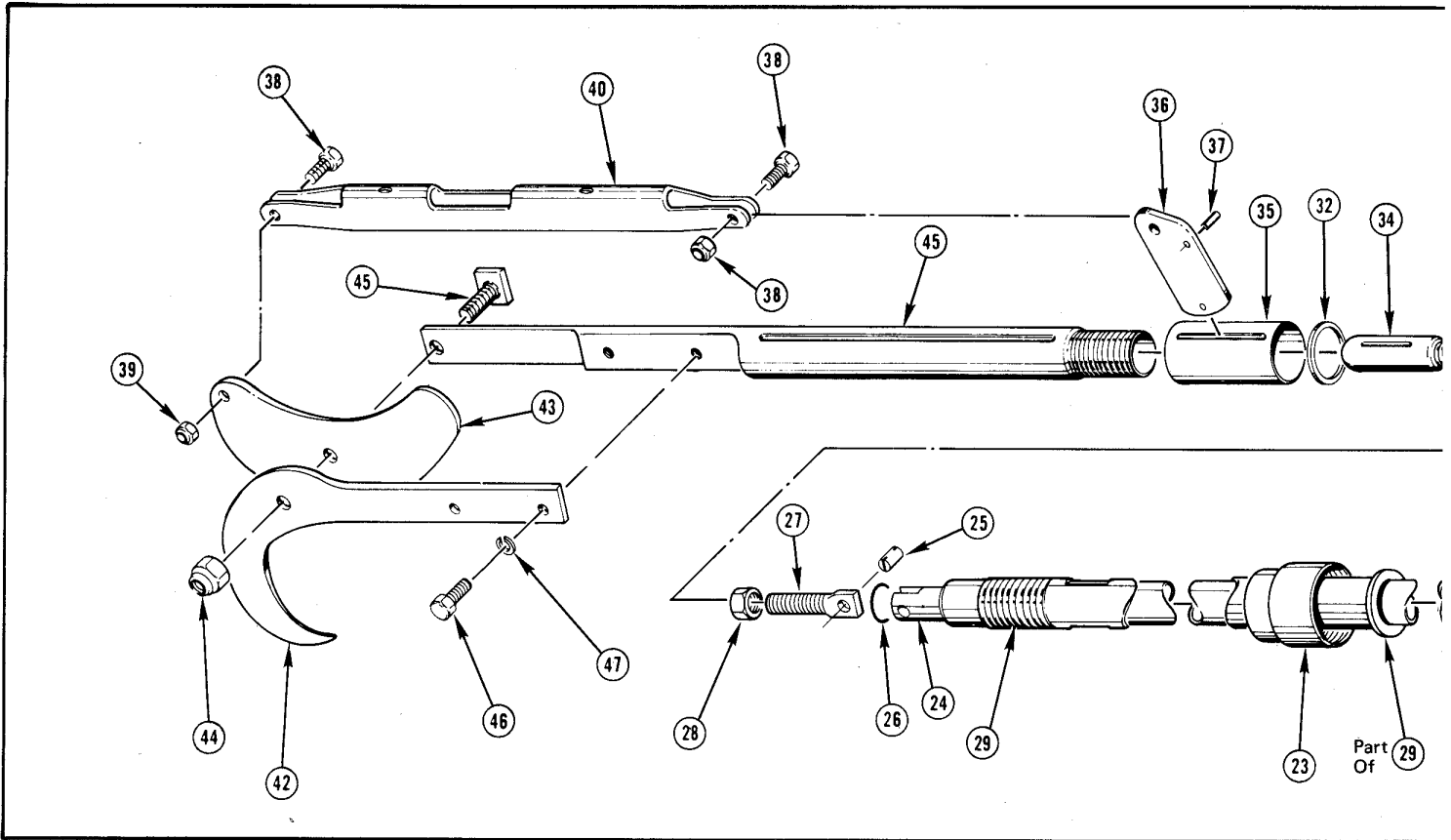
	PR 25	PR 28
Pressure Range . . .	1000-2000 psi/ 70.3-140.6 kg/cm ² *	1000-1500 psi/ 70.3-105.45 kg/cm ² *
System Type	OC	CC

*Flow ratings specified are applicable to both epoxy and aluminum pruners.

U.S. Patent No. 3476015

**MODELS
PR25 & PR28**

**HYDRAULIC
INDUSTRIAL
TREE PRUNER**



PR 25 ALUMINUM AND EPOXY MODELS

NOTE: See Page 4 for Model 28 HG Listing

Illus. Index No.	Part No.	Qty. Per Unit	PART NAME
	01808	1	Valve Assembly
1	01989	1	Valve Handle
2	01030	1	Spring •
3	01809	1	Spool
4	00175	2	O-Ring, 1/2 x 5/8 x 1/16 (90 Duro) ⊙
5	01715	1	Guard, Trigger
6	01718	1	Trigger
7	01812	1	Screw
8	00160	2	Screw, 1/4-20 x 3/4 Oval Head
9	01534	2	Roll Pin, 1/8 x 1-1/4 •
10	00252	1	O-Ring, 1-3/8 x 1-1/2 x 1/16 ⊙
11	00536	1	Cylinder
12	00537	1	Cylinder Oil Tube
	00771	1	Piston Assembly
13	00535	1	Piston
14	00560	1	Piston O-Ring, 1-5/16 1-1/2 x 3/32 ⊙
15	00534	1	Piston Nut
16	00539	1	Disc Valve
17	00552	1	Disc Valve Spring
18	00018	1	O-Ring, 7/16 x 9/16 x 1/16 ⊙
19	00533	1	Cylinder End Bearing
20	00252	1	O-Ring, 1-3/8 x 1-1/2 x 1/16
21	00574	1	O-Ring, 3/4 x 15/16 x 3/32 (90 Duro) ⊙
22	01815	1	Backup Ring, 3/32 x 3/4 ID ⊙
23	00542	1	Coupler Nut
24	00538	1	Piston Rod
25	00570	1	Piston Rod Connecting Pin •

Illus. Index No.	Part No.	Qty. Per Unit	PART NAME
26	00571	1	Retaining Ring •
27	00544	1	Link Bolt
28	00568	1	Nut, 3/8-24 Hex •
29	00541	1	Coupler Sleeve
30	00558*	1	External Tube Assembly
	00573**	1	External Tube Assembly
31	00557*	1	Internal Tube Assembly
	00572**	1	Internal Tube Assembly
32	00567*	1	Shrink Band Washer
33	01211	1	O-Ring, 5/8 x 3/4 x 1/16 ⊙
34	00545	1	Slide Link Bolt
35	00546	1	Sleeve
36	00547	1	Linkage Hinge
37	00072	2	Roll Pin, 1/8 x 3/8 •
38	00549	2	Linkage Bar Shoulder Bolt •
39	00656	2	Nut, 1/4-28 ESSNA Thin •
40	00554	1	Linkage Bar
41	00550	1	Knife •
42	00551	1	Hook •
43	00553	1	Knife Bolt •
44	00287	1	Nut, 1/2-20 ESSNA •
45	01295	1	Slide Head Assembly
46	00569	2	Screw, 5/16-18 x 1 Hex Head •
47	00283	2	Lockwasher, 5/16 Med
48	01113**	2	Cap Washer
49	02741	1	Name Tag

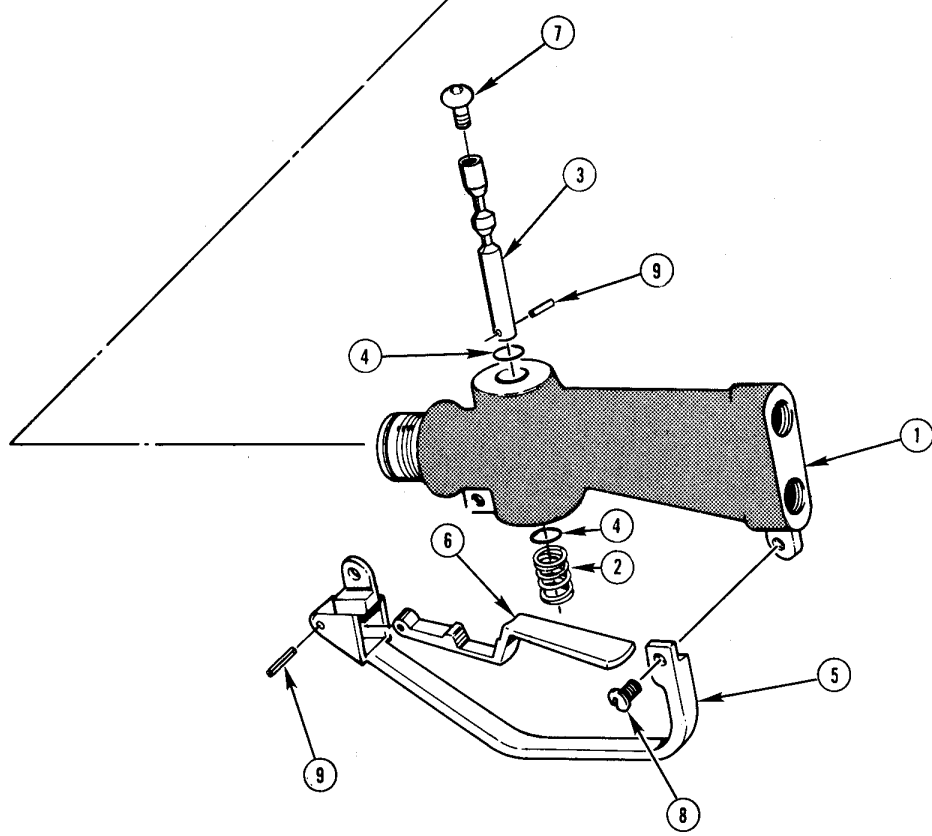
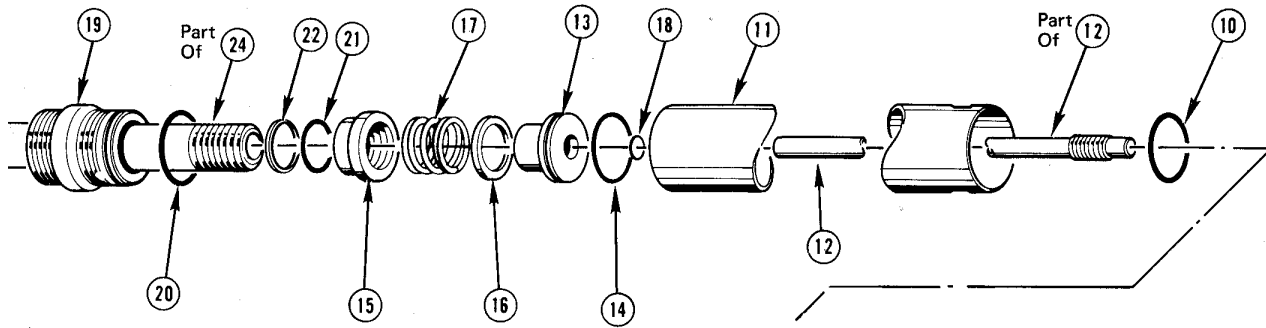
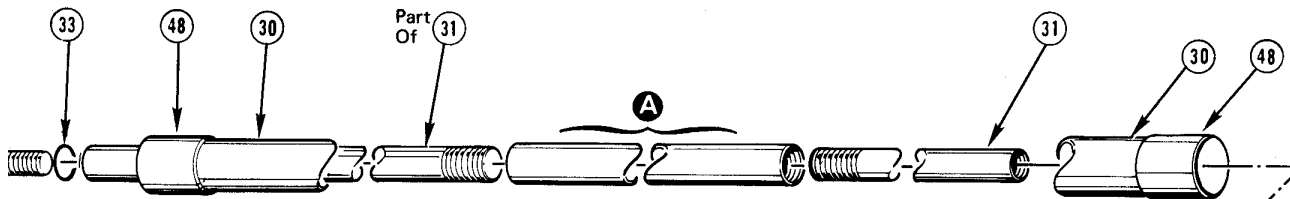
* Denotes Used on Model PR 25 & 28 Epoxy Models Only.

** Denotes Used on Model PR 25 & 28 Aluminum Models Only.

• Denotes Part In Repair Kit

⊙ Denotes Part In Seal Kit

A Part of item (31) on Aluminum Models Only.



PR 28 ALUMINUM AND EPOXY MODELS

Illus. Index No.	Part No.	Qty. Per Unit	PART NAME	Illus. Index No.	Part No.	Qty. Per Unit	PART NAME
	01810	1	Valve Assembly	26	00571	1	Retaining Ring•
1	01991	1	Valve Handle	27	00544	1	Link Bolt
2	01030	1	Spring	28	00568	1	Nut, 3/8-24 hex•
3	01809	1	Spool	29	00541	1	Coupler Sleeve
4	00175	2	O-Ring, 1/2 x 5/8 x 1/16 (90 Duro)⊙	30	00573**	1	External Tube Assembly
5	01715	1	Guard, Trigger		00558*	1	External Tube Assembly
6	01718	1	Trigger	31	00572**	1	Internal Tube Assembly
7	01812	1	Screw		00557*	1	Internal Tube Assembly
8	00160	2	Screw, 1/4-20 x 3/4 Oval Head	32	00567*	1	Shrink Band Washer
9	01534	2	Roll Pin, 1/8 x 1-1/4•	33	01211	1	O-Ring, 5/8 x 3/4 x 1/16⊙
10	02028	1	O-Ring, 1-5/8 x 1-3/4 x 1/16⊙	34	00545	1	Slide Link Bolt
11	01254	1	Cylinder	35	00546	1	Sleeve
12	00537	1	Cylinder Oil Tube	36	00547	1	Linkage Hinge
13	01253	1	Piston	37	00072	2	Roll Pin, 1/8 x 3/8•
14	01276	1	O-Ring, 1-5/8 x 1-13/16 x 3/32⊙	38	00549	2	Linkage Bar Shoulder Bolt
15			Not used on PR28 models	39	00656	2	Nut, 1/4-28 ESSNA Thin•
16			Not used on PR28 models	40	00554	1	Linkage Bar
17			Not used on PR28 models	41	00550	1	Knife•
18	00018	1	O-Ring, 7/16 x 9/16 x 1/16⊙	42	00551	1	Hook•
19	01252	1	Cylinder End Bearing	43	00553	1	Knife Bolt•
20	02028	1	O-Ring, 1-5/8 x 1-3/4 x 1/16⊙	44	00287	1	Nut, 1/2-20 ESSNA•
21	00574	1	O-Ring, 3/4 x 15/16 x 3/32 (90 Duro)⊙	45	01295	1	Slide Head Assembly
22	01815	1	Backup Ring, 3/32 x 3/4 ID	46	00569	2	Screw, 5/16-18 x 1 Hex Head•
23	00542	1	Coupler Nut	47	00283	2	Lockwasher, 5/16 med
24	00538	1	Piston Rod	48	01113**	2	Cap Washer
25	00570	1	Piston Rod Connecting Pin•	49	02744	1	Name Tag

• Denotes part in Repair Kit

⊙ Denotes part in Seal Kit

REPAIR AND SEAL KIT DATA

NOTE: Seal Kit Included in Repair Kit

PR 25 Repair Kit Part No.02038

Part No.	Qty.	Description	Part No.	Qty.	Description
00072	2	Roll Pin	00656	2	Nut
01534	2	Roll Pin	01030	1	Spring
00287	1	Nut	Seal Kit Part No. 02039		
00550	1	Knife	00018	1	O-Ring
00551	1	Hook	00175	2	O-Ring
00553	1	Bolt	00252	2	O-Ring
00568	1	Nut	00560	1	O-Ring
00569	2	Screw	00574	1	O-Ring
00570	1	Connecting Pin	01211	1	O-Ring
00571	1	Retaining Ring	01815	1	Backup Ring

PR 28 Repair Kit Part No. 02040

Part No.	Qty.	Description	Part No.	Qty.	Description
00072	2	Roll Pin	00656	2	Nut
01534	2	Roll Pin	01030	1	Spring
00287	1	Nut	Seal Kit Part No. 02041		
00550	1	Knife	00018	1	O-Ring
00551	1	Hook	00175	2	O-Ring
00553	1	Knife Bolt	02028	2	O-Ring
00568	1	Lock Nut	01276	1	O-Ring
00569	2	Screw	00574	1	O-Ring
00570	1	Connecting Pin	01211	1	O-Ring
00571	1	Retaining Ring			