

**STANLEY**

helps you do things right

**Stanley Hydraulic Tools**

Division of The Stanley Works

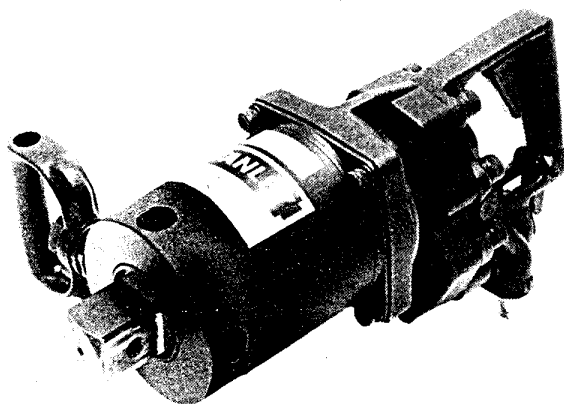
3810 S.E. Naef Road

Milwaukie, Oregon 97267

Phone: 503/659-5660

Telex: 360771

## PARTS LIST



**IW24**

**UNDERWATER**

### SPECIFICATIONS

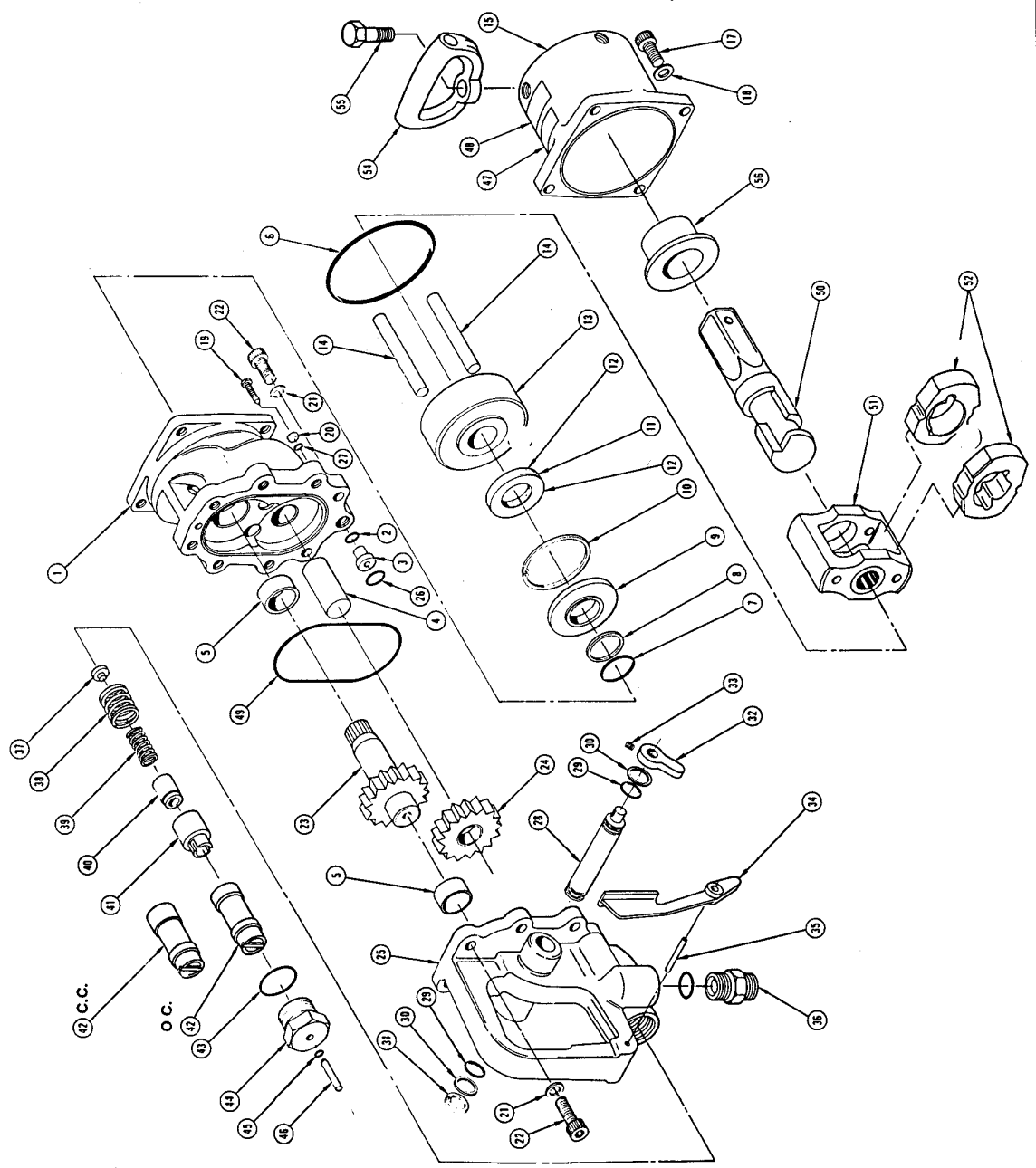
Weight .....	43 lbs/19 kg
Length .....	16.5 in/42 cm
Width .....	5.1 in/11 cm
Height .....	7.5 in/19 cm
Flow Range .....	7-13gpm/26-52 lpm
Pressure Range .....	1200-2100 psi/105-140 bar
Porting .....	8 SAE
Connect Size & Type .....	3/8 male NPT
System Type .....	o.c. or c.c.

**MODEL IW24**  
**UNDERWATER**

**HYDRAULIC**  
**IMPACT**  
**WRENCH**

Illus. Index No.	Part No.	Qty. Per Unit	PART NAME
1	09698	1	Motor Housing Assembly - Incl. Item 2-5
2	03252	1	O-Ring
3	07955	1	Insert
4	08123	1	Idle Shaft
5	08146	2	Bushing - Carlock, 20DU12
6	01873	1	O-Ring 4-1/2 x 4-1/16 x 3/32 70 DURO
7	04886	1	Back-Up Ring 1/4 x 7/16 x 3/32 70D
8	08190	1	Back-Up Ring 1/4 x 1/24
9	08125	1	Split Back-Up Washer
10	08493	1	Retaining Ring
11	08146	1	Needle Bearing
12	08145	2	Thrust Race
13	09701	1	Inertia Insert
14	09695	2	Hammer Pin
15	10149	1	Impact Mechanism (Incl. Item 50-55)
16	10148	1	Handle
17	09706	1	Capcrew 3/8-16 x 1-1/4 HSH SS
18	07984	4	Lockwasher 3/8 SS
19	07993	4	Relief Adjustment Screw
20	07984	1	Nut 5/16-18
21	09277	8	Lockwasher 1/2 SS
22	09234	8	Capcrew 1/2-13 x 1-3/4 HSH SS
23	09702	1	Main Shaft
24	09693	1	Idle Gear Assembly
25	08138	1	Valve Housing Assembly (Incl. Item 5)
26	00016	1	O-Ring 1/4 x 3/8 x 1/16 70D
27	00717	1	O-Ring 1/4 x 3/4 x 1/16 70D
28	08139	1	Reversing Spool
29	02111	2	O-Ring 5/8 x 3/4 x 1/16 70D
30	08015	2	Back-Up Ring -016
31	09275	1	Retaining Ring SS
32	04939	1	Lever
33	00580	1	Sealscrew 1/4-20 x 1/4 Cup Point SS
34	08133	1	Trigger
35	09283	1	Roll Pin 1/4 x 1-1/2 SS
36	00936	2	Adaptor 1/2 SAE to 3/8 NPT Male
37	07982	1	Spring Rest
38	08131	1	Spring
39	08122	1	Relief Poppet
40	08135	1	Relief Seat
41	07986	1	Valve Spool - Open Center
42	07992	1	Valve Spool - Closed Center
43	06533	1	O-Ring 1.171 x 1.403 x .116 90D
44	08000	1	Spool Cap
45	00026	1	O-Ring 3/16 x 5/16 x 1/16 70D
46	06634	1	Needle Roller
47	03788	1	GPM Slicker
48	09707	1	Name Tag IW-24
49	00255	1	O-Ring 4 x 4-1/8 x 1/16 70 DURO
50	03608	1	Anvil
51	10194	1	Hammer Frame
52	03607	2	Hammer
53	10193	1	Hammer Case Assembly (Incl. Item 56)
54	10150	1	D-Handle
55	10792	1	Capcrew 5/8-11 UNC x 1-1/4 Hex Hd. SS
56	10563	1	Bushing

NOTE: Use Part Number and Part Name When Ordering.



# REPAIR AND SEAL KIT DATA

Part No.	Qty.	Description
<b>Repair Kit Data Part No 10798</b>		
08148	1	Needle Bearing
08147	2	Thrust Race
09695	2	Hammer Pin
07984	1	Relief Adjustment Screw
09277	1	Nut
04939	1	Lever
00580	1	Setscrew
05965	1	Roll Pin
08000	1	Spool Cap
06634	1	Needle Roller
10567	1	Seal Kit
08133	1	Trigger

Part No.	Qty.	Description
<b>Seal Kit Data Part No. 10567</b>		
01873	1	O-Ring
04888	1	O-Ring
08180	1	Back-Up Ring
00016	1	O-Ring
00717	1	O-Ring
01211	2	O-Ring
08015	2	Back-Up Ring
06533	1	O-Ring
00026	1	O-Ring
00255	1	O-Ring

**STANLEY**  
 helps you do things right

**Stanley Hydraulic Tools**  
 Division of The Stanley Works  
 3810 S.E. Naef Road  
 Milwaukie, Oregon 97267  
 Phone: 503/659-5660  
 Telex: 360771