

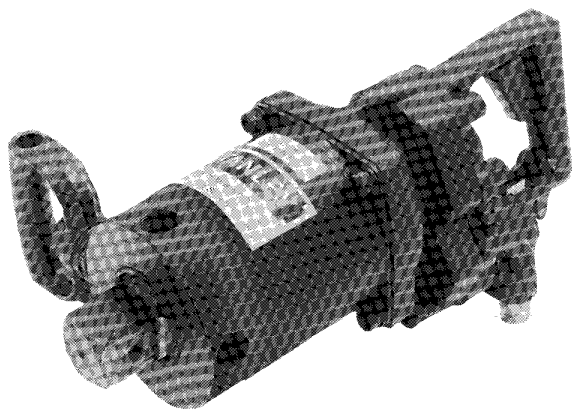
STANLEY[®]

helps you do things right

Stanley Hydraulic Tools

Division of The Stanley Works
3810 S.E. Naef Road
Milwaukie, Oregon 97267
Phone: 503/659-5660
Telex: 360771

PARTS LIST



IW24

SPECIFICATIONS

Weight	43 lbs/19 kg
Length	16.5 in/42 cm
Width	5.1 in/11 cm
Height	7.5 in/19 cm
Flow Range	7-13gpm/26-52 lpm
Pressure Range	1200-2100 psi/105-140 bar
Porting	8 SAE
Connect Size & Type	3/8 male NPT
System Type	o.c. or c.c.

MODEL IW24

**HYDRAULIC
IMPACT
WRENCH**

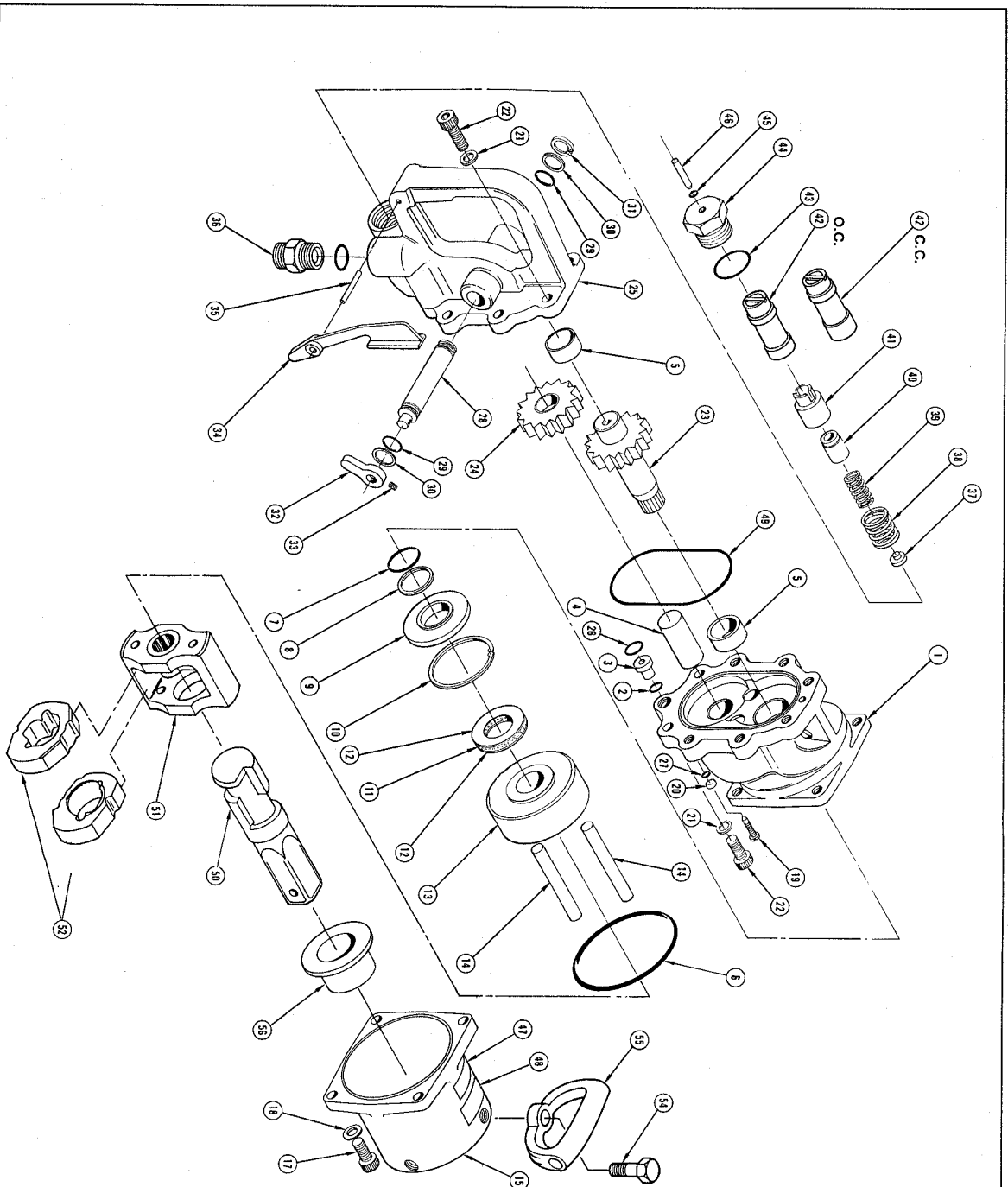


Illustration Index No.	Part No.	Qty. Per Unit	PART NAME
1	09698	1	Motor Housing Assembly - Incl. Item 2-5
2	03252	1	O-Ring
3	07995	1	Insert
4	08123	1	Idler Shaft
5	08146	2	Bushing - Garlock 200DU12
6	01873	1	O-Ring 4-1/2 x 4-1/16 x 3/32 70 DURO
7	04888	1	O-Ring 1-1/4 x 1-7/16 x 3/32 70D
8	08180	1	Back-Up Ring - 124
9	08125	1	Seal Back-Up Washer
10	00663	1	Retaining Ring
11	08148	1	Needle Bearing
12	08147	2	Thrust Race
13	09701	2	Interia Insert
14	09695	2	Hammer Pin
15	10149	1	Impact Mechanism (incl. Item 50-55)
16	09706	1	Handle
17	06151	1	Lockwasher 3/8
18	01459	4	Lockwasher 1/2-13 x 1-1/4 HSH -
19	07984	4	Relief Adjustment Screw
20	00429	1	Nut 5/16-18
21	00706	8	Lockwasher 1/2
22	08151	1	Casecrew 1/2-13 x 1-3/4 HSH -
23	09702	1	Main Shaft
24	08683	1	Idler Gear Assembly
25	08138	1	Valve Housing Assembly (Incl. Item 5)
26	00016	1	O-Ring 9/16 x 11/16 x 1/16 70D
27	00717	1	O-Ring 1/4 x 3/8 x 1/16 70D
28	08139	1	Reversing Spool
29	01211	2	O-Ring 5/8 x 3/4 x 1/16 70D
30	08015	2	Back-Up Ring -016
31	08016	1	Retaining Ring
32	04989	1	Lever
33	01607	1	Setcrew 1/4-20 x 1/4 Cup Point
34	08133	1	Roll Pin 1/4 x 1-1/2
35	05965	1	Trigger
36	00986	2	Adaptor 1/2 SAE to 3/8 NPT Male
37	07982	1	Spring Feet
38	08131	1	Spring
39	08122	1	Spring
40	08135	1	Relief Poppet
41	07986	1	Relief Seat
42	07988	1	Valve Spool - Open Center
43	08533	1	Valve Spool - Closed Center
44	08000	1	O-Ring 1.171 x 1.403 x .116 80D
45	00026	1	Spool Cap
46	06634	1	O-Ring 3/16 x 5/16 x 1/16 70D
47	03788	1	GPM Sucker
48	09707	1	Needle Roller
49	00255	1	Name Tag IW-24
50	03608	1	O-Ring 4 x 4-7/8 x 1/16 70 DURO
51	10194	1	Anvil
52	03607	2	Hammer Frame
53	10193	1	Hammer
54	10150	1	Hammer Case Assembly (Incl. Item 56)
55	10152	1	D-Handle
56	10563	1	Casecrew 5/8-11 UNC x 1-1/4 Hex. Hd. Bushing

NOTE: Use Part Number and Part Name When Ordering.

REPAIR AND SEAL KIT DATA

Part No.	Qty.	Description
Repair Kit Data Part No. 10568		
08125	1	Seal Back-Up Washer
00663	1	Retaining Ring
08148	1	Needle Bearing
08147	2	Thrust Race
09701	1	Inertia Insert
09695	2	Hammer Pin
07984	1	Relief Adjustment Screw
00429	1	Nut
08016	1	Retaining Ring
04939	1	Lever
01607	1	Setscrew
05965	1	Roll Pin
08000	1	Spool Cap
06634	1	Needle Roller
10567	1	Seal Kit

Part No.	Qty.	Description
Seal Kit Data Part No. 10567		
01873	1	O-Ring
04888	1	O-Ring
08180	1	Back-Up Ring
00016	1	O-Ring
00717	1	O-Ring
01211	2	O-Ring
08015	2	Back-Up Ring
06533	1	O-Ring
00026	1	O-Ring
00255	1	O-Ring

STANLEY
 helps you do things right

Stanley Hydraulic Tools
 Division of The Stanley Works
 3810 S.E. Naef Road
 Milwaukie, Oregon 97267
 Phone: 503/659-5660
 Telex: 360771