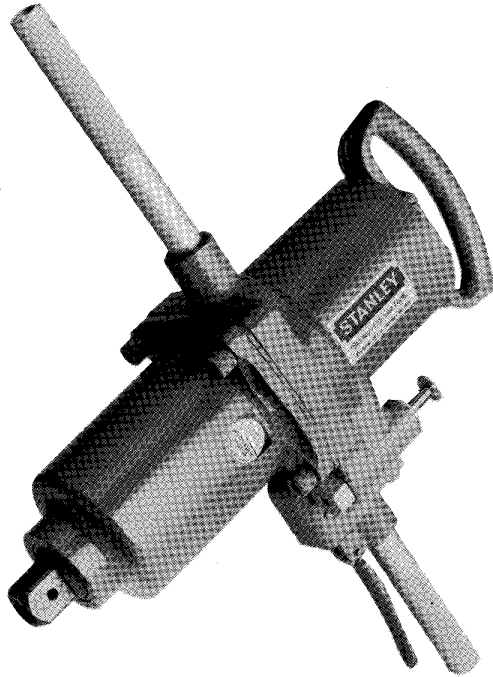


STANLEY
 helps you do things right

Stanley Hydraulic Tools
 Division of The Stanley Works
 3810 S.E. Naef Road
 Milwaukie, Oregon 97222
 Phone: 503/659-5660
 Telex: 360771



PARTS LIST

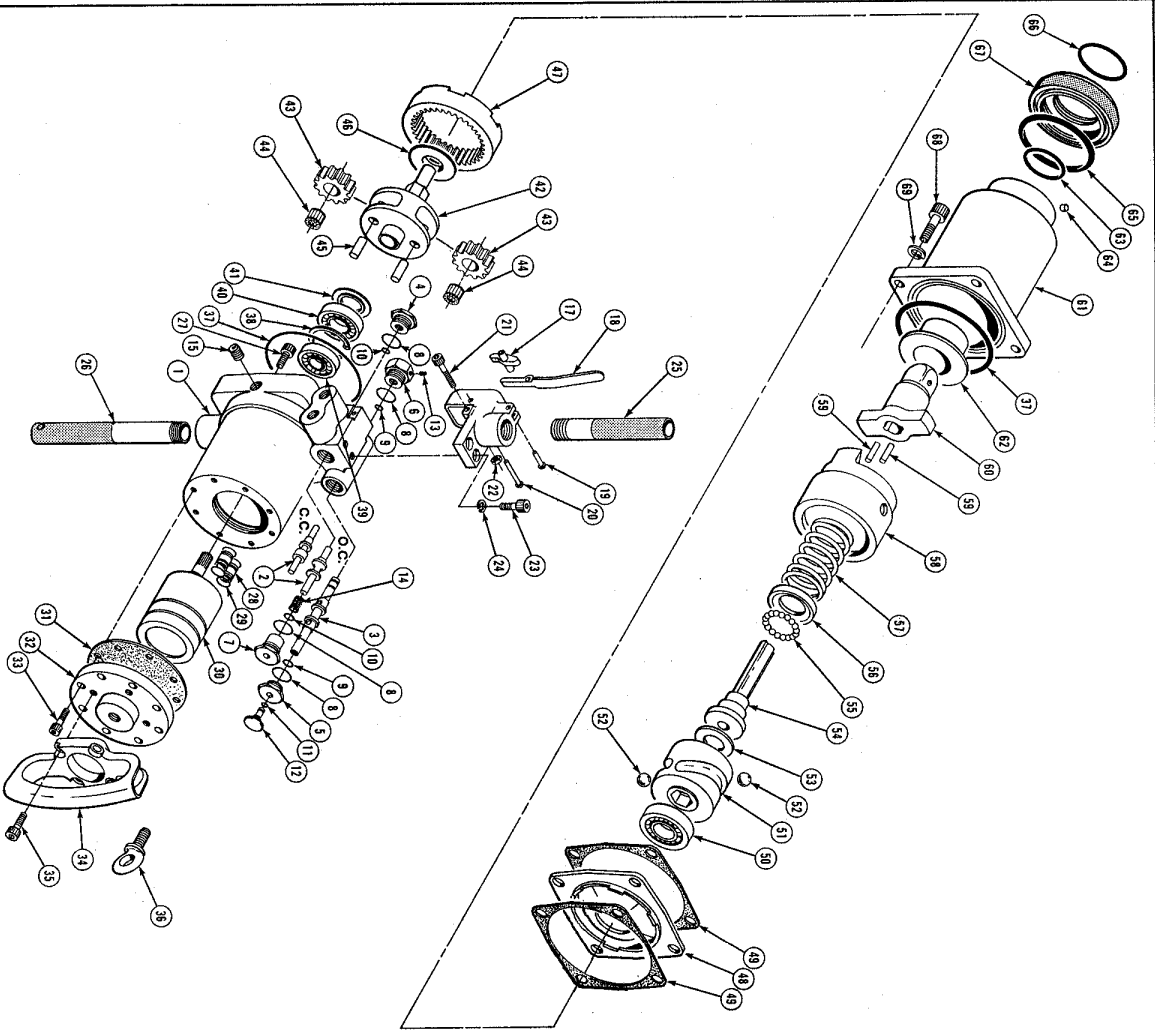
IW23
IW32

SPECIFICATIONS

	IW23	IW32
Length	21 in/54 cm	24 in/61 cm
Width	7.5 in/19 cm	7.5 in/19 cm
Weight	80 lbs/36 kg	110 lbs/50 kg
Flow Range	10-16 gpm/38-60 lpm	10-14 gpm/38-50 lpm
Optimum Flow	15 gpm/57 lpm	13 gpm/49 lpm
Pressure Range	1300-2000 psi/90-140 bar	1500-2000 psi/105-140 bar
System Type	oc or cc	oc or cc
Porting	1/2 pipe	1/2 pipe
Capacity	1-1/2" sq. drive	2-1/2" sq. drive

MODEL IW23
MODEL IW32

IMPACT
WRENCH



Item No.	Part Number		Qty	Description
	1W/23 L/MD	1W/32 U/W		
1	01392	01392	1	Main Housing Assy - Open Center
2	01394	01394	1	Main Housing Assy - Closed Center
3	00685	00727	1	Valve Spool - Open Center
4	00689	00728	1	Valve Spool - Closed Center
5	00690	00686	1	Reversing Valve Spool
6	00691	00690	1	Seal Cap
7	00687	00691	1	Detroit Seal Cap
8	00790	00790	1	Spring Cap - Open Center
9	00689	00294	1	Spring Cap - Closed Center
10	00713	00713	4	O-Ring 1-3/16 x 1-9/16 x 1/16
11	00717	00717	2	Quad Ring 1/2 x 5/8 x 1/16
12	00682	00682	2	O-Ring 1/4 x 3/8 x 1/16
13	00683	00683	1	Knob
14	01002	01002	1	Detroit
15	00687	00687	1	Spring - Open Center
16	00705	00705	1	Spring - Closed Center
17	00688	00688	1	Flare Plug
18	00707	00707	1	Linkage Cover Assy
19	00713	00713	1	Linkage
20	00712	00712	1	Trigger Pin 1/4 x 1
21	00718	00718	1	Dowel Pin 1/4 x 1 Smls
22	00719	00719	1	Dowel Pin 1/4 x 2-1/2
23	00719	00719	1	Capacitor 1/4-20 x 2-3/4 Hex Soc Hd
24	00795	00795	2	Locknut - 1/4-20
25	00697	00697	2	O-Ring 3/8-16 x 1-3/4 Hex Soc Hd
26	00711	00711	1	Capacitor 1/2-13 x 1 Hex Soc Hd
27	00710	00692	1	Capacitor 3/8-16 x 7/8 Hex Soc Hd Smls
28	00682	00682	2	Lockwasher 1/2 Smls
29	00687	00687	2	Lockwasher 1/2 Smls
30	00678	00678	1	Trigger Handle
31	03004	03004	1	Cross Handle
32	01002	01002	1	O-Ring 5/16 x 11/16 x 1/16
33	00702	00702	1	Hydraulic Motor Assy
34	00794	00794	1	Gasket
35	00693	00693	1	Asplen Cover
36	00701	00701	8	Capacitor 3/8-16 x 7/8 Hex Soc Hd
37	06110	06110	4	Capacitor 3/8-16 x 7/8 Hex Soc Hd Smls
38	00683	00683	4	Grid Handle
39	00661	00661	4	Capacitor 1/2-13 x 1 Hex Soc Hd
40	06128	06128	2	Capacitor 1/2-13 x 1 Hex Soc Hd Smls
41	06081	06081	1	Eye Bolt
42	06094	06094	1	O-Ring 6-1/2 x 6-11/16 x 3/32
43	06095	06095	2	Retaining Ring 2-7/16 Int.
44	06111	06111	1	Bearing
45	06089	06089	1	Complete Impact Mechanism Assy
46	06098	06098	1	Includes Item 40 thru 62
47	06098	06098	1	Bearing
48	06095	06095	1	Spacer
49	06096	06096	1	Panel Gear Frame
50	06043	06043	1	Panel Gear
51	06088	06088	2	Planet Gear
52	06070	06070	2	Bearing
53	06109	06109	2	Shaft
54	06089	06089	2	Internal Gear
55	06079	06079	2	Cover
			1	Gasket
			1	Hammer Assy - Includes Item 51 thru 58
			1	Cam
			1	Ball
			1	Washer
			1	Arbor
			1	Ball

Item No.	Part Number				Qty	Description
	IW23 Land	IW23 U/W	IW32 Land	IW32 U/W		
56	06084	06084	06100	06100	1	Thrust Bearing Race
57	06092	06092	06108	06108	1	Spring
58	06087	06087	06103	06103	1	Hammer
59	06082	06082	06082	06082	2	Pin
60	06090	06090	06106	06106	1	Anvil
61	06091	01393	06107	01399	1	Hammer Case Assy - Includes Item 62
62	06083	00716	06099	01018	1	Hammer Case Bushing
63		00729			1	Quad Ring 2-3/8 x 2-5/8 x 1/8 ●
				01256	1	Quad Ring 3-3/8 x 3-5/8 x 1/8 ●
64		00721		00721	2	Lock ●
65		00466			1	O-Ring 3-3/8 x 3-5/8 x 1/8 ●
				01249	1	O-Ring 5 x 5-1/8 x 1/16 ●
66		01258			1	O-Ring 2-3/8 x 2-9/16 x 3/32 ●
				01277	1	O-Ring 2-1/16 x 2-1/4 x 3/32 ●
67		01248		01247	1	Packing Nut
68	00695				4	Capscrew 5/8-11 x 1-3/4 Hex Soc Hd
		00796			4	Capscrew 5/8-11 x 1-3/4 Hex Soc Hd Stnls
			01088		4	Capscrew 5/8-11 x 2 Hex Soc Hd
				01089	4	Capscrew 5/8-11 x 2 Hex Soc Hd Stnls
60	00703		00703		4	Lockwasher 5/8
		00797		00797	4	Lockwasher 5/8 Stnls

● Denotes Part In Repair Kit

○ Denotes Part In Seal Kit

NOTE: Use Part Number and Part Name when ordering.

REPAIR AND SEAL KIT DATA

IW23 & IW32 Land Models:

Part No.	Qty.	Description
Seal Kit Part No. 01137		
00173	2	Quad Ring
00294	4	O-Ring
00665	2	O-Ring
00668	1	Seal Liner Washer
00669	3	Quad Ring
00670	1	Seal Liner
00678	4	O-Ring
00717	1	O-Ring
01082	1	Gasket
01204	1	Seal Washer
01403	1	O-Ring

IW23 Underwater Models:

Part No.	Qty.	Description
Seal Kit Part No. 01145		
00173	2	Quad Ring
00294	4	O-Ring
00466	1	O-Ring
00665	2	O-Ring
00669	3	Quad Ring
00670	1	Seal Liner
00678	4	O-Ring
00693	2	O-Ring
00717	1	O-Ring
00721	2	Lock
00729	1	Quad Ring
01082	1	Gasket
01204	1	Seal Washer
01258	1	O-Ring
01403	1	O-Ring

IW32 Underwater Models:

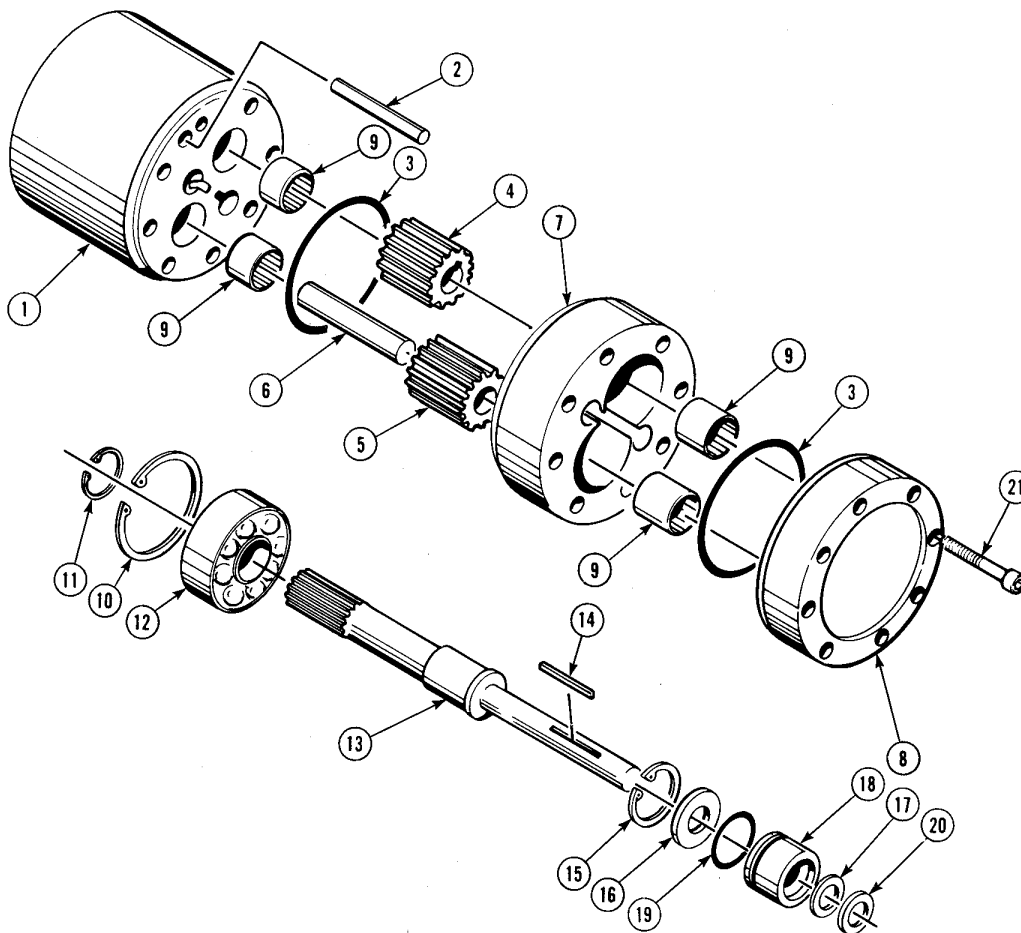
Part No.	Qty.	Description
Seal Kit Part No. 01169		
00173	2	Quad Ring
00294	4	O-Ring
00665	2	O-Ring
00669	3	Quad Ring
00670	1	Seal Liner
00678	4	O-Ring
00693	2	O-Ring
00717	1	O-Ring
00721	2	Lock
00729	1	Quad Ring
01082	1	Gasket
01204	1	Seal Washer
01249	1	O-Ring
01277	1	O-Ring
01403	1	O-Ring

Part No.	Qty.	Description
Repair Kit Part No. 01138		
00083	1	Detent
00609	1	Key
00661	2	Bearing
00663	1	Retaining Ring
00664	1	Retaining Ring
00672	1	Retaining Ring
00712	1	Dowel Pin
00713	1	Dowel Pin
00719	1	Nut
01137	1	Seal Kit

Part No.	Qty.	Description
Repair Kit Part No. 01146		
00097	1	Detent
00609	1	Key
00661	2	Bearing
00663	1	Retaining Ring
00664	1	Retaining Ring
00668	1	Seal Liner Washer
00672	1	Retaining Ring
00712	1	Dowel Pin
00719	1	Nut
00730	1	Dowel Pin
01145	1	Seal Kit

Part No.	Qty.	Description
Repair Kit Part No. 01170		
00097	1	Detent
00609	1	Key
00661	2	Bearing
00663	1	Retaining Ring
00664	1	Retaining Ring
00668	1	Seal Liner Washer
00672	1	Retaining Ring
00712	1	Dowel Pin
00719	1	Nut
00730	1	Dowel Pin
01169	1	Seal Kit

HYDRAULIC MOTOR ASSEMBLY



Item	Part No.		Qty	Description
	Motor 03003	Motor 03004		
1	03410	03410	1	Front Bearing Retainer Assy Incl. Item 9
2	01061	01061	2	Dowel Pin 5/16 x 1-1/2
3	00665	00665	2	O-Ring 2-1/2 x 2-5/8 x 1/16 ☉
4	00674	00674	1	Gear with Keyway
5	00675	00675	1	Gear
6	00676	00676	1	Idler Shaft
7	00659	00659	1	Gear Chamber
8	03411	03411	1	Rear Bearing Retainer Assy Incl. Item 9
9	00662	00662	4	Needle Bearing
10	00663	00663	1	Retaining Ring 2-7/16 Int●
11	00672	00672	1	Retaining Ring 63/64 Ext.●
12	00661	00661	1	Bearing●
13	00671	00671	1	Motor Shaft
14	00609	00609	1	Key●
15	00664	00664	1	Retaining Ring 1-1/8 Int●
16	00668	00668	1	Seal Liner Washer●
17	00669	00669	1	Quad Ring 1/2 x 5/8 x 1/16 ☉
18	00670	00670	1	Seal Liner☉
19	01403	01403	1	O-Ring 7/8 x 1 x 1/16 ☉
20	01204	01204	1	Seal Washer☉
21	00667		8	Capscrew 5/16-18 x 2-1/4 Hex Soc Hd
		00793	8	Capscrew 5/16-18 x 2-1/4 Hex Soc Hd Stnls

STANLEY[®]
helps you do things right

Stanley Hydraulic Tools

Division of The Stanley Works
3810 S.E. Naef Road
Milwaukie, Oregon 97267
Phone: 503/659-5660
Telex: 360771
Fax: 503/652-1780