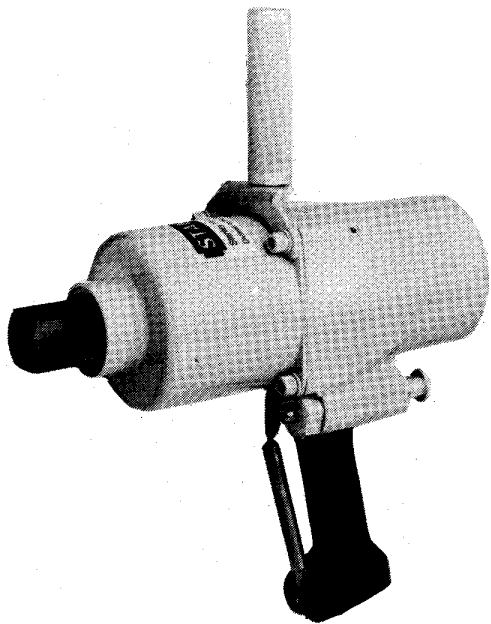


STANLEY[®]
helps you do things right

Stanley Hydraulic Tools
Division of The Stanley Works
3810 S.E. Naef Road
Milwaukie, Oregon 97222
Phone: 503/659-5660
Telex: 360771



PARTS LIST

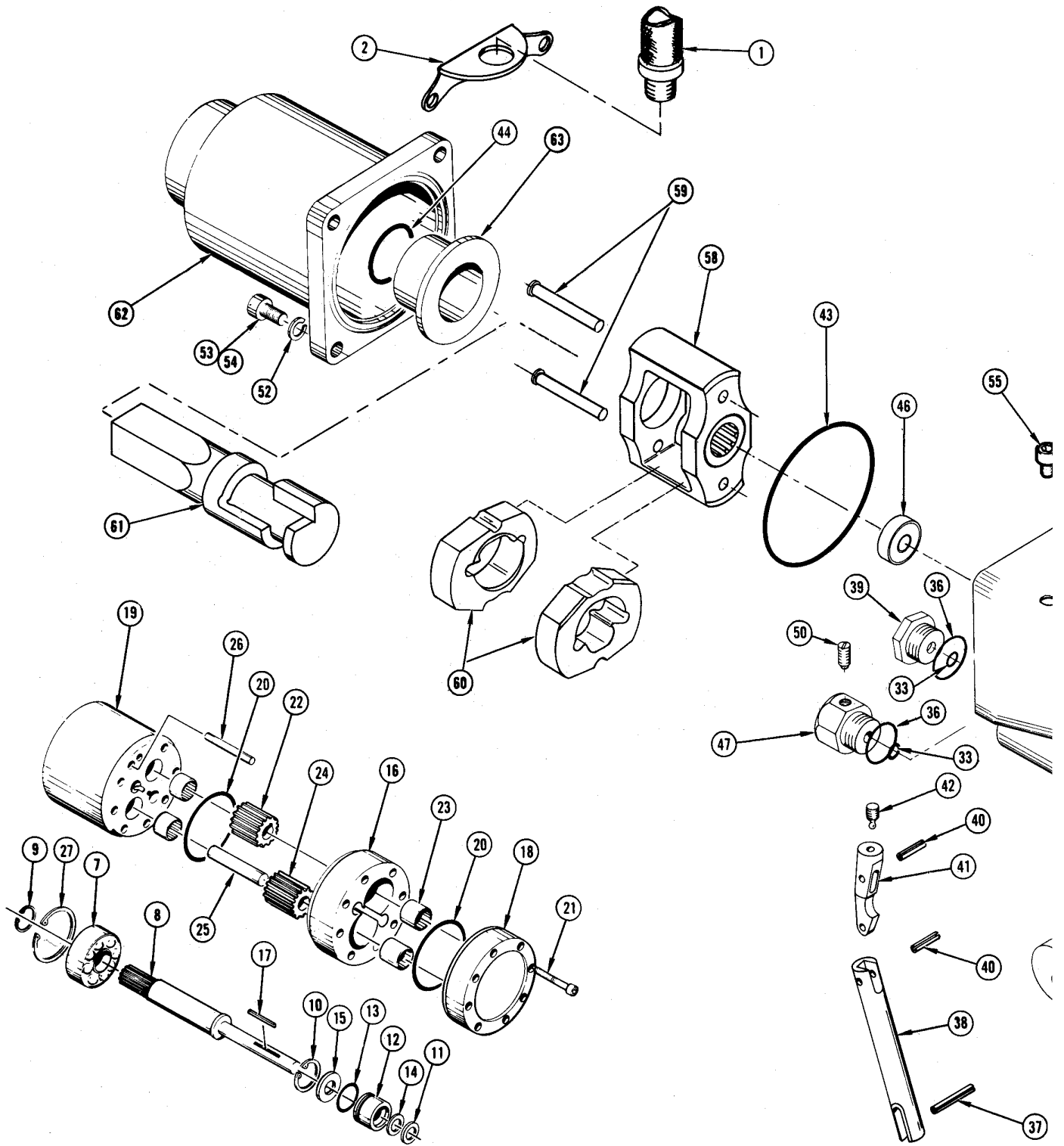
IW20

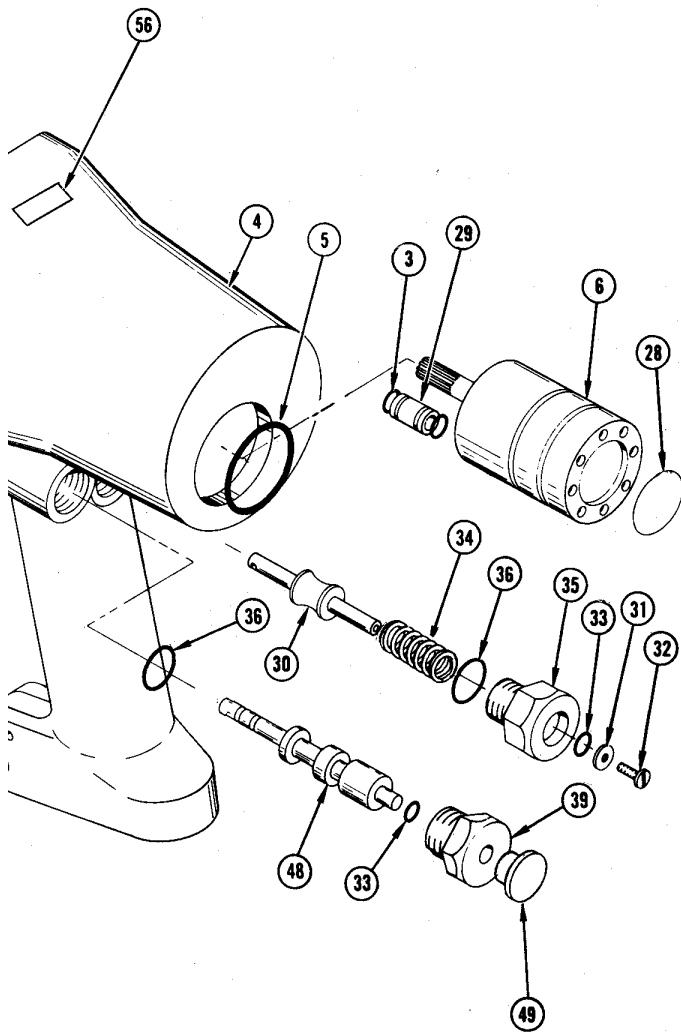
SPECIFICATIONS

Weight	34 lbs/15 kg
Pressure Range	1000-2000 psi/70-140 kg/cm ²
Flow Range	5-6 gpm/19-23 lpm
Optimum Flow	6 gpm/23 lpm
Porting	3/8 pipe
System Type	Open Center
Length	12.5 in/32 cm
Width	5 in/13 cm

MODEL IW20

**HYDRAULIC
IMPACT
WRENCH**





Illus. Index No.	U/W Part No.	Qty. Per Unit	PART NAME
1	00234	1	Dead Handle
2	03592	1	Dead Handle Bracket
3	00175	4	O-Ring, 1/2 x 5/8 x 1/16 90 Duro ◎
4	03593	1	Motor Housing Assembly
5	00149	1	O-Ring, 3-1/4 x 3-3/8 x 1/16 ◎
6	03594	1	Motor Assembly
7	00148	1	Bearing
8	01720	1	Motor Shaft
9	00708	1	Retaining Ring, 43/64 Ext. ●
10	00170	1	Retaining Ring, 15/16 Int. ●
11	00169	1	Washer
12	00172	1	Seal Liner ◎
13	00171	1	O-Ring, 11/16 x 13/16 x 1/16 ◎
14	00173	1	Quad Ring, 3/8 x 1/2 x 1/16 ◎
15	01203	1	Seal Washer ◎
16	00605	1	Gear Housing
17	00609	1	Key ●
18	03405	1	Rear Bearing Retainer (Incl. Item 23)
19	03402	1	Front Bearing Retainer (Incl. Item 23)
20	00178	2	O-Ring, 2-1/8 x 2-1/4 x 1/16 ◎
21	00612	8	Capscrew, 1/4-20 x 2-1/4 Hex. Soc.
22	00608	1	Drive Gear
23	00177	4	Needle Bearing
24	00607	1	Idler Gear
25	00606	1	Idler Shaft
26	00611	2	Dowel Pin, 1/4 x 1-1/2
27	00633	1	Retaining Ring, 1.850 Int. ●
28	03595	1	Name Tag
29	00174	2	Oil Tube
30	03596	1	Valve Spool
31	01176	1	Washer
32	00134	1	Machine Screw, 10-24 x 1/4 Fill. Hd.
33	00214	4	Quad Ring, 7/16 x 9/16 x 1/16 ◎
34	00209	1	Spring ●
35	00221	1	Spring Cap
36	00211	4	O-Ring, 1 x 1-1/8 x 1/16 ◎
37	00129	1	Roll Pin, 5/32 x 1 (Stnls.) ●
38	00912	1	Lower Trigger
39	00215	2	Seal Cap
40	00128	2	Roll Pin, 1/8 x 1/2 (Stnls.) ●
41	00913	1	Upper Trigger
42	00911	1	Trigger Hinge ●
43	01873	1	O-Ring, 4-1/2 x 4-11/16 x 3/32 ◎
44	01872	1	O-Ring, 2 x 2-3/16 x 3/32 ◎
45	03598	1	Wear Spacer
46	01457	1	Bearing
47	00210	1	Detent Cap
48	00238	1	Reversing Spool Assembly
49	00100	1	Control Knob
50	00097	1	Detent Unit ●
51	01524	2	Capscrew, 5/16-18 x 2-1/2 Hex. Soc.
52	01214	4	Lockwasher, 3/8
53	03599	3	Capscrew, 3/8-16 x 3/4 Hex. Soc.
54	03600	1	Capscrew, 3/8-16 x 1-1/2 Hex. Soc.
55	00961	1	Pipe Plug, 1/8 NPT Hex Soc.
56	03785	1	GPM Sticker, 5-6 GPM, 2000 PSI
57	03597	1	Impact Mechanism
58	03606	1	Hammer Frame Assembly
59	03610	2	Hammer Pin
60	03607	2	Hammer
61	03608	1	Drive Anvil, 1-1/2 In. Sq.
62	03609	1	Hammer Case Assembly
63	03978	1	Hammer Case Bushing

● Denotes Part In Repair Kit

◎ Denotes Part In Seal Kit

U/W Underwater Model

REPAIR AND SEAL KIT DATA

Note: Seal Kit Included in Repair Kit

Part No.	Qty.	Description
Repair Kit Part No. 03601		
03602	1	Seal Kit
00609	1	Key
00911	1	Trigger Hinge
00097	1	Detent Unit
00209	1	Spring
00170	1	Retaining Ring
00708	1	Retaining Ring
00128	2	Roll Pin
00129	1	Roll Pin
00633	1	Retaining Ring

Part No.	Qty.	Description
Seal Kit Part No. 03602		
00175	4	O-Ring
01873	1	O-Ring
01872	1	O-Ring
00211	4	O-Ring
00214	4	Quad Ring
00149	1	O-Ring
00171	1	O-Ring
00173	1	Quad Ring
00172	1	Seal Liner
01203	1	Seal Washer
00178	2	O-Ring

STANLEY
 helps you do things right

Stanley Hydraulic Tools

Division of The Stanley Works
 3810 S.E. Naef Road
 Milwaukie, Oregon 97222
 Phone: 503/659-5660
 Telex: 360771