

STANLEY
helps you do things right

Stanley Hydraulic Tools
Division of The Stanley Works
3810 S.E. Naef Road
Milwaukie, Oregon 97222
Phone: 503/659-5660
Telex: 360771

PARTS LIST

IW13

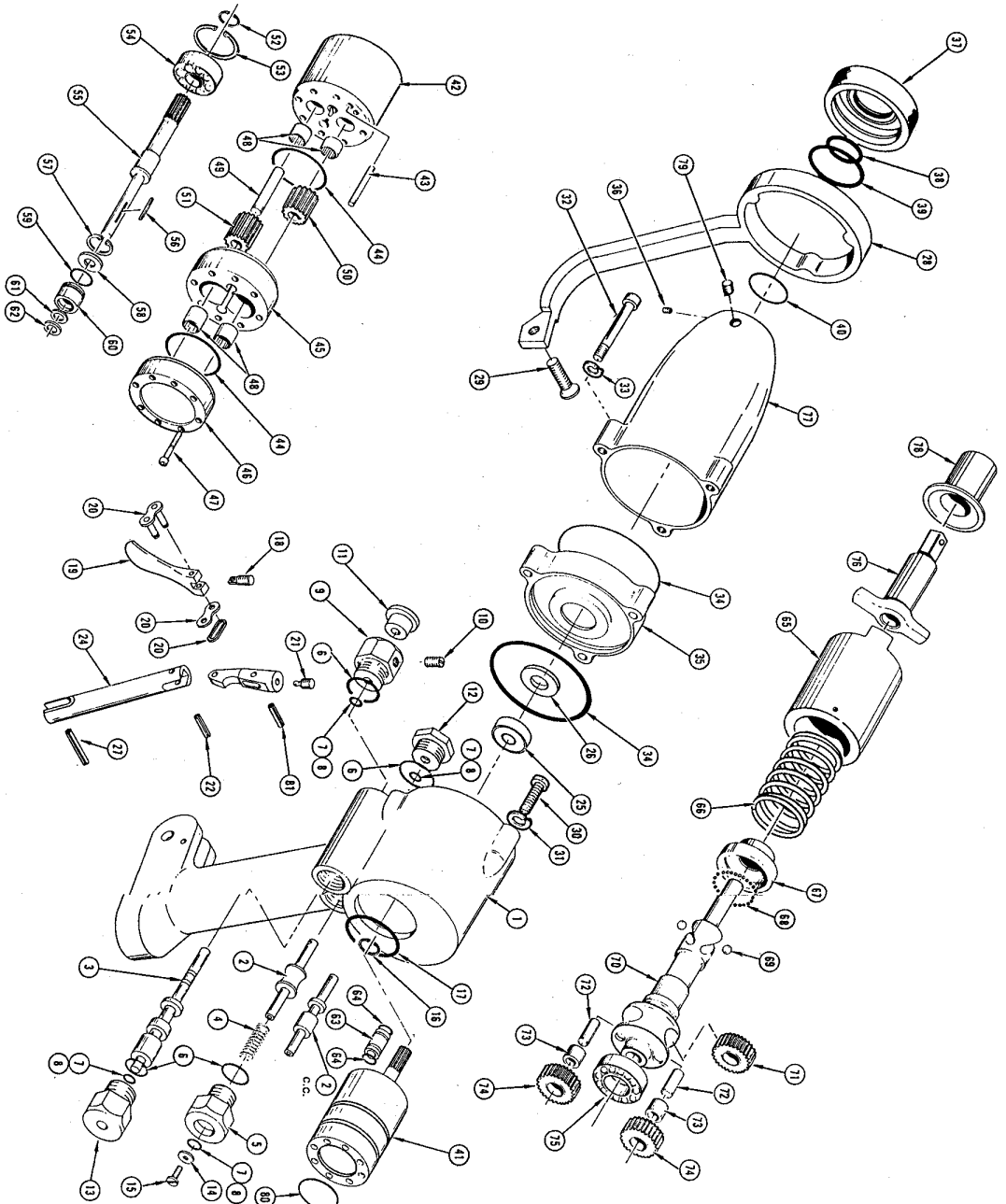


SPECIFICATIONS

Weight	13 lbs/6 kg
Pressure Range	1000-2000 psi/70-140 kg/cm ²
Flow Range	3-5 gpm/11-19 lpm
Optimum Flow	5 gpm/19 lpm
Porting	3/8 pipe
System Type	open or closed center
Length	11 in/29 cm
Width	3.4 in/8.6 cm

MODEL IW13

**HYDRAULIC
IMPACT
WRENCH**



Illus. Index No.	Part No. Land	Part No. U/W	Qty. Per Unit	PART NAME
1	01962	01962	1	Motor Housing Assembly - o.c.
2	01963	02537	1	Motor Housing Assembly - c.c.
2	02536	00078	1	Valve Spool - o.c.
3	00078	00236	1	Valve Spool - c.c.
4	02541	00098	1	Reversing Spool Assembly
4	00098	00026	1	Spring - o.c.
5	02290	00026	1	Spring - c.c.
5	02291	00027	1	Spring Cap Assembly - o.c.
6	00074	00074	4	Cap Assembly - o.c.
7	00112	00074	2	Cap Assembly - c.c.
8	00173	00173	2	Detent Unit
8	00096	00096	4	Detent Cap
9	00083	00097	1	Control Knob
10	00100	00100	1	Seal Cap Assembly
11	00073	00130	1	Stop Washer
12	00089	00099	1	Machine Screw, 6-32 x 1/4
14	00089	00099	1	Machine Screw, 6-24 x 1/4
14	00089	01178	1	Retaining Pin, 1/8 x 1/16
15	00108	00134	1	O-Ring, 2 x 2-1/8 x 1/16
18	00077	00049	1	Trigger Hinge
17	00049	00049	1	Trigger Hinge
18	00516	00049	1	Trigger Link
19	00070	00049	1	Roll Pin, 1/8 x 1/2 S.S.
20	00070	00913	2	Upper Trigger
21	00913	00913	1	Lower Trigger
22	02293	00913	1	Bearing
23	01443	01443	1	Nylon Lock
25	01443	00129	1	Roll Pin, 5/32 x 1 S.S.
27	00905	00905	1	Trigger Guard
28	00165	00094	1	Machine Screw, 1/4-20 x 1
29	00047	00046	2	Cap Screw, 1/4-20 x 7/8 Soc. Hd.
30	00046	00046	2	Lock Washer
31	00802	00903	3	Cap Screw, 1/4-20 x 1-7/8 Soc. Hd.
32	00046	00093	3	Lock Washer
33	00046	00141	2	O-Ring, 2-7/8 x 3 x 1/16
34	00141	00057	2	Nylon Lock
35	00057	00137	2	Nylon Lock
37	00137	00138	1	P-Ring
38	00138	00140	1	O-Ring, 1-7/16 x 1-9/16 x 1/16
39	00139	00140	1	O-Ring, 1-1/8 x 1-1/4 x 1/16
40	03400	03400	1	Quad Ring, 1-1/8 x 1-1/4 x 1/16
41	00061	00061	1	Motor Assembly
42	02988	02989	1	Front Bearing Retainer Assy, Incl. Item 48
43	00621	00621	2	Dowel Pin, 3/16 x 1-1/4
44	00622	00622	2	O-Ring, 1-1/4 x 1-3/8 x 1/16
45	03401	03401	1	Gear Chamber
46	00059	00059	1	Rear Bearing Retainer Assy, Incl. Item 48
47	00059	00059	1	Cap Screw, 8-32 x 1-1/4 Soc. Hd.
48	00059	00059	1	Needle Bearing
49	00065	00065	1	Idler Gear
50	00065	00065	1	Drive Shaft
51	00064	00064	1	Retaining Ring
52	00051	00051	1	Retaining Ring
53	00011	00011	1	Bearing
54	00048	00048	1	Motor Shaft
55	00800	00800	1	Key
56	01083	01083	1	Retaining Ring
57	00054	00054	1	Washer
58	00054	00054	1	O-Ring, 3/8 x 1/2 x 1/16
59	00106	00106	1	Seal Ring
60	00056	00056	1	Quad Ring, 3/8 x 1/2 x 1/16
61	00112	00112	1	O-Ring, 1/4 x 3/8 x 1/16
62	00179	00179	1	Washer, Seal Liner

* Denotes Part in Repair Kit
 ⊙ Denotes Part in Seal Kit

Included in Items 5, 9, 12, 15

Illus. Index No.	Part No.	Part No.	Qty. Per Unit	PART NAME
	Land	U/W		
63	00057	00057	2	Oil Tube
64	00106	00106	4	O-Ring, 3/8 x 1/2 x 1/16
	06124	02287	1	Impact Mechanism
	06037	06037	1	Hammer Assembly
65	06076	06076	1	Hammer
66	06115	06115	1	Spring
67	06114	06114	1	Bearing Race
68	06002	06002	23	Bearing Ball
69	06051	06051	2	Cam Ball
	06072	06072	1	Gear Frame Assembly
70	06071	06071	1	Gear Frame

Illus. Index No.	Part No.	Part No.	Qty. Per Unit	PART NAME
	Land	U/W		
71	06048	06048	1	Pinion Rotor
72	06032	06032	2	Shaft
73	06034	06034	2	Bearing
74	06047	06047	2	Gear
75	06046	06046	1	Bearing
76	06077	06077	1	Anvil
77	06078	01270	1	Hammer Case Assembly
78	06074	00136	1	Hammer Case Busing
79		00961	1	Pipe Plug, 1/8 NPT
80	02738	02738	1	Name Tag
81	00072		1	Roll Pin, 1/8 x 3/8

REPAIR AND SEAL KIT DATA

NOTE: Seal Kit included in Repair Kit

Part No.	Part No.	Qty.	Description
Land	U/W		
Seal Kit Part No. 01125 (Land Models)			
Seal Kit Part No. 01127 (Underwater Models)			
00049	00049	1	O-Ring
00106		4	O-Ring
00056	00056	1	Seal Liner
00074	00074	4	O-Ring
00112	00112	5	Quad Ring
00179	00179	1	Washer
00621	00621	2	O-Ring
	00141	3	O-Ring
	00138	1	O-Ring
	00139	1	O-Ring
	00140	1	Quad Ring
	00106	5	O-Ring

Part No.	Part No.	Qty.	Description
Land	U/W		
Seal Kit Part No. 01126 (Land Models)			
Seal Kit Part No. 01128 (Underwater Models)			
00006	00006	1	Spring
00011	00011	1	Retainer Ring
00048	00048	2	Bearing
00051	00051	1	Retainer Ring
00053	00053	1	Seal Liner
00054	00054	1	Retainer Ring
00616	00911	1	Trigger Hinge
00072	00128	2	Roll Pinn
00077	00077	1	Retainer Ring
00080	00080	1	Spring
00083	00097	1	Detent Ball & Screw
00113		1	Trigger Link
01083	01083	1	Key
01125	01127	1	Seal Kit
	00129	1	Roll Pin

STANLEY
helps you do things right

Stanley Hydraulic Tools
Division of The Stanley Works
3810 S.E. Naef Road
Milwaukie, Oregon 97222
Phone: 503/659-5660
Telex: 360771