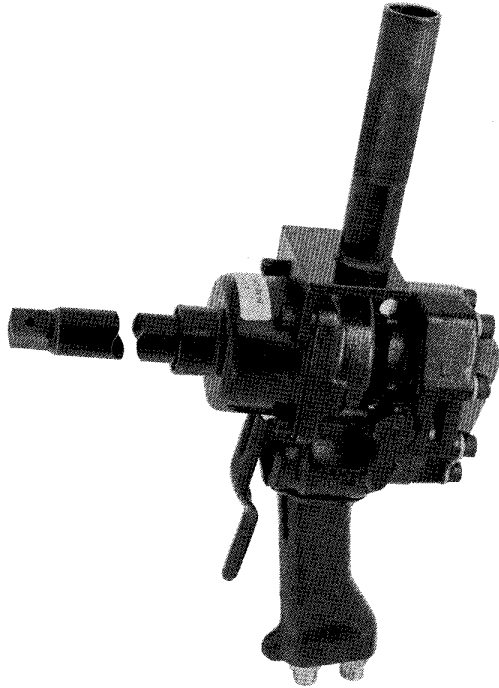


STANLEY
helps you do things right

Stanley Hydraulic Tools
Division of The Stanley Works
3810 S.E. Naef Road
Milwaukie, Oregon 97267
Phone: 503/659-5660
Telex: 360771



PARTS LIST

IW12
EXTENDED
ANVIL

SPECIFICATIONS

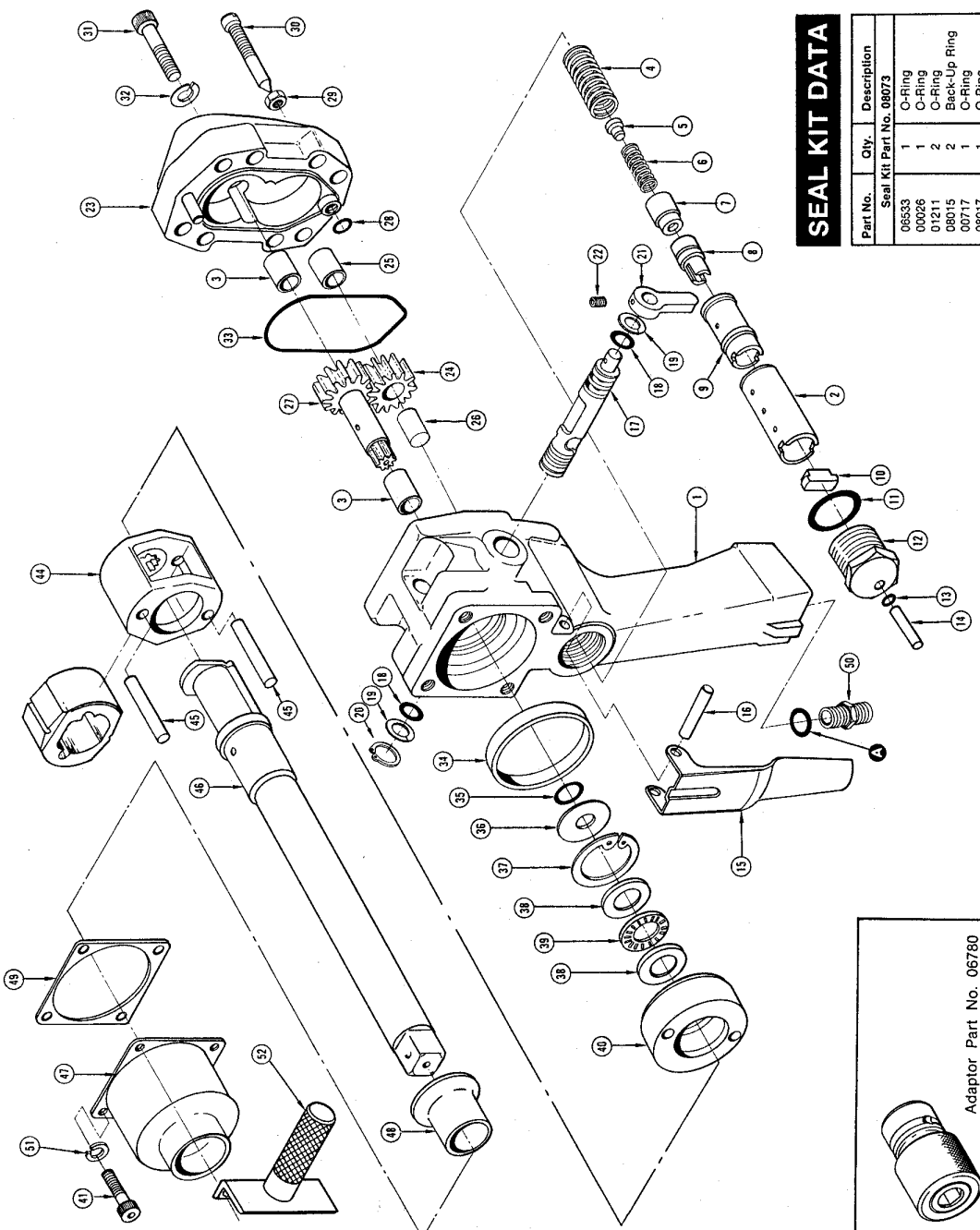
Weight	18.5 lb/8.5 kg
Pressure Range.....	1000-2000 psi/70-140 bar
Flow Range	4-12 gpm/15-45 lpm
Output Speed (Free Spin)	2000 rpm at 5 gpm
Impact Speed	1200 Impacts per minute
Porting.....	1/2 SAE
Connect Size & Type	3/8 NPT male
System Type	Open or Closed Center
Length	21.5 in/54.5 cm
Width	10.5 in/26.5 cm
Height	11 in/28 cm
Drive.....	3/4 in Square Drive

MODEL IW12
EXTENDED ANVIL

IMPACT
WRENCH

Item	Part No.	Qty.	Description
1	07599	1	Main Housing Assy (Incl Items 2 & 3)
2	07594	1	Valve Sleeve
3	08014	2	Du Bushing — Garlock 14DU12
4	07595	1	Spring Rest
5	07592	1	Spring
6	07595	1	Relief Poppet
7	07593	1	Valve Seal
8	07596	1	Valve Spool — Open Center
9	07598	1	Shim
10	07593	1	O-Ring 1.171 x 1.403 x .116 ⊙
11	06533	1	Spool Cap
12	08000	1	O-Ring 3/16 x 5/16 x 1/16 ⊙
13	08003	1	Needle Roller 3/16 x 1
14	06534	1	Trigger Pin 3/16 x 1-5/8
15	08013	1	Retaining Spool
16	08015	1	Retaining Spool
17	08022	2	O-Ring 5/8 x 3/4 x 1/16 ⊙
18	08015	2	Back-Up Ring ⊙
19	08015	2	Retaining Ring .750 Ext
20	08016	1	Seal Screw 1/4-20 x 1/4
21	04639	1	Motor Cap Assembly (Incl Item 3)
22	04637	1	Motor Gear Assembly (Incl Item 2)
23	07597	1	Idle Gear Bushing
24	07598	1	Idle Gear
25	07575	1	Idle Gear Shaft
26	08011	1	Main Shaft
27	08011	1	O-Ring 1/4 x 3/8 x 1/16 ⊙
28	00729	1	Nut 3/16-18
29	04634	1	Roller Adjustment Screw
30	07584	8	Cap Screw 3/8-16 x 1-3/4 Hex. Soc Head
31	00459	8	Lockwasher 3/8
32	04659	1	Lockwasher 3/8
33	08053	1	Pilot Ring
34	08050	1	O-Ring 7/8 x 1-1/16 x 3/32 ⊙
35	08017	1	Back-Up Washer
36	07587	1	Retaining Ring
37	00166	2	Thrust Race
38	08019	1	Inertia Insert
39	08020	1	Impact Mechanism 3/4 Sq Dr.
40	07590	4	Hammer — IR 260-724
41	02685	4	Hammer Frame Assy - IR 2910-A703
42	08021	1	Hammer — IR 260-724
43	08067	1	Hammer Frame - IR 2910-703
44	10895	1	Hammer Frame - IR 2910-703
45	08059	2	Hammer Pin - IR 2910-704
46	10881	1	Anvil — 3/4 Square Drive
47	08071	1	Hammer Case Assy — IR 910-A727
48	08072	1	(Incl Item 48)
49	08022	1	Hammer Case Bushing — IR 910-641
50	00536	2	Hammer Case Gasket — IR 910-36 ⊙
51	00145	4	Adaptor 1/2 SAE to 3/8 NPT Male
52	10886	1	Lockwasher 5/16
			Assist Handle

NOTE: Use Part Number and Part Name When Ordering.
 ⊙ Denotes Part in Seal Kit
 ⊕ Part of Item 50



SEAL KIT DATA

Part No.	Qty.	Description
Seal Kit Part No. 08073		
06533	1	O-Ring
08026	1	O-Ring
07211	2	O-Ring
08015	1	Back-Up Ring
08017	1	O-Ring
08017	1	O-Ring
08023	1	O-Ring
08022	1	Gasket
01605	2	O-Ring ⊕

Adaptor Part No. 06780
 Used To Adapt 3/4
 Square Drive To 5/8
 Quick Change.



STANLEY[®]
helps you do things right

Stanley Hydraulic Tools

Division of The Stanley Works
3810 S.E. Naef Road
Milwaukie, Oregon 97267
Phone: 503/659-5660
Telex: 360771