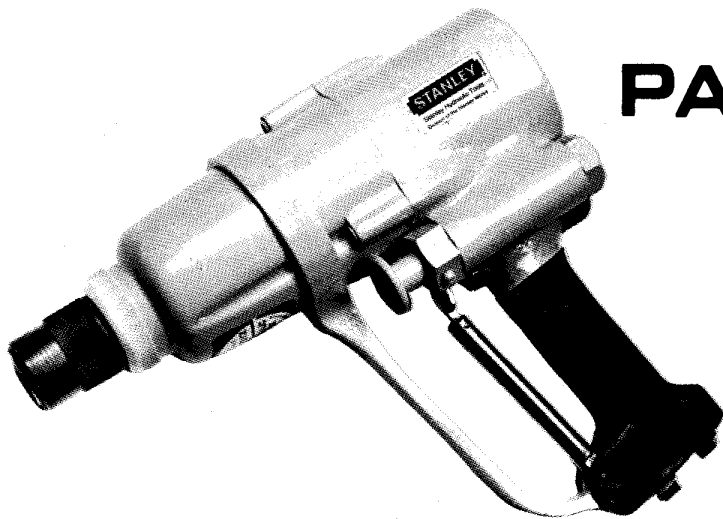


STANLEY
helps you do things right

Stanley Hydraulic Tools

Division of The Stanley Works
13770 S.E. Ambler Road
Clackamas, Oregon 97015
Phone: 503/659-5660
Telex: 360771



PARTS LIST

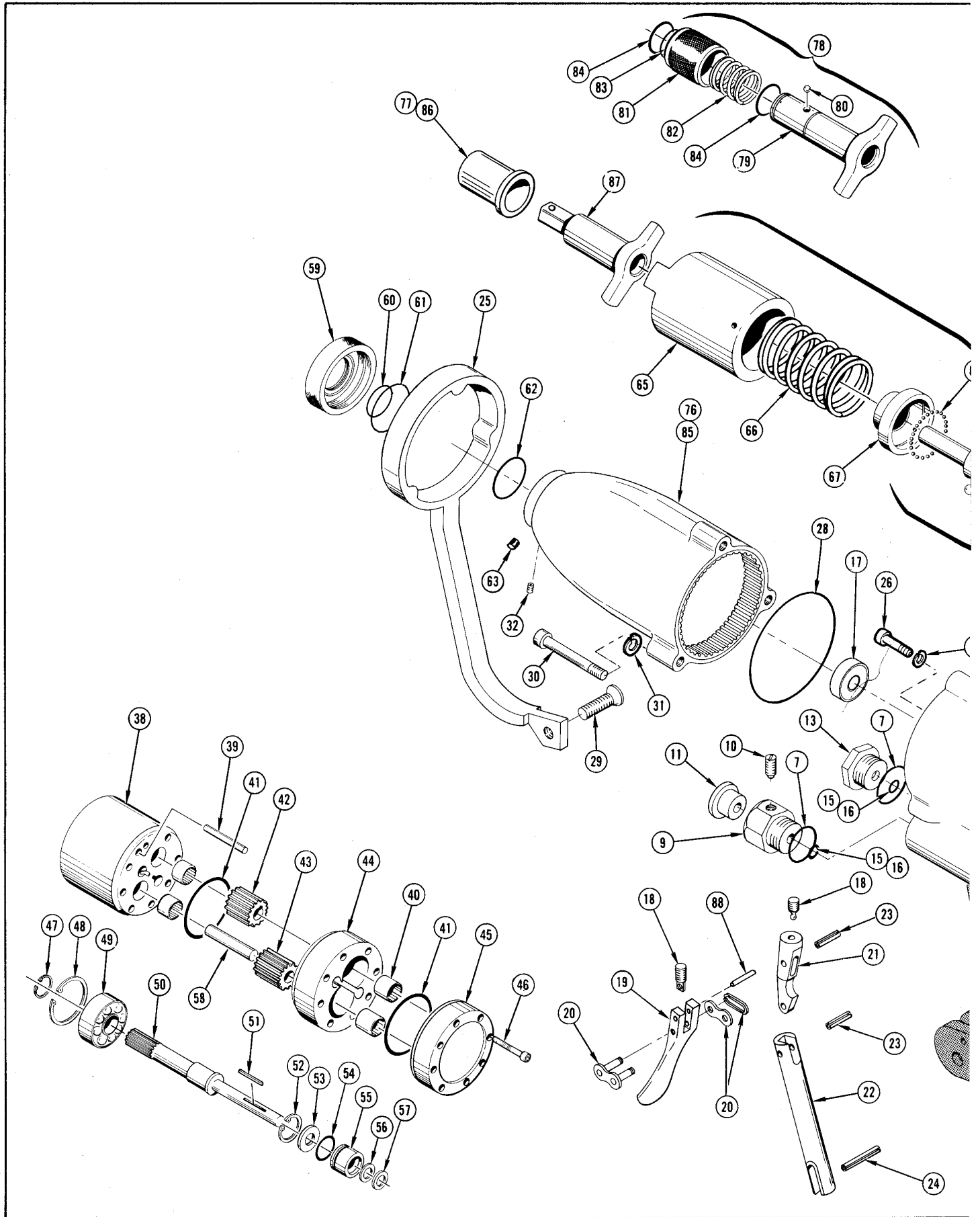
IW06

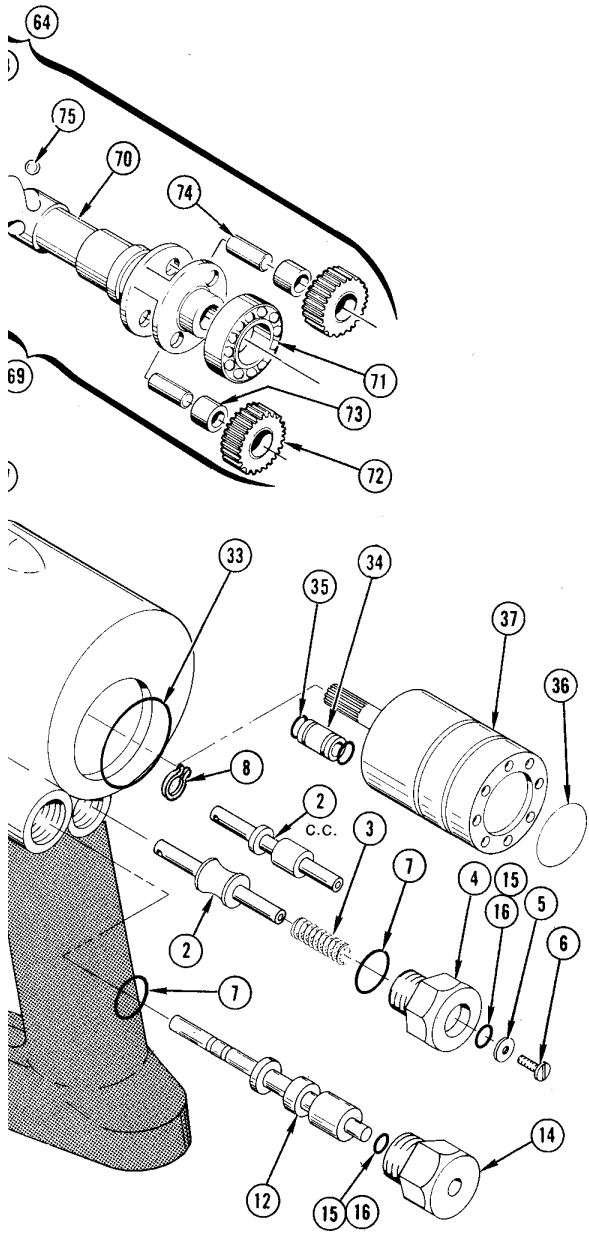
SPECIFICATIONS

Weight	10 lbs/4.5 kg
Pressure Range	1000-2000 psi/70-140 kg/cm ²
Flow Range	3-5 gpm/11-19 lpm
Optimum Flow	5 gpm/19 lpm
Porting	3/8 pipe
System Type	open or closed center
Length	11 in/29 cm
Width	3.4 in/8.6 cm

MODEL IW06

**HYDRAULIC
IMPACT
WRENCH**





Illus. Index No.	Part No.	Part No.	Qty. Per Unit	PART NAME
	Land	U/W		
1	01941	01958	1	Motor Housing Assembly - o.c.
	01942	01960	1	Motor Housing Assembly - c.c.
2	00005	00131	1	Valve Spool - o.c.
	00078	00236	1	Valve Spool - c.c.
3	00006	00006	1	Spring - o.c. ●
	00080	00080	1	Spring - c.c. ●
4	02290	00132	1	Spring Cap Assembly - o.c.
	02291	00237	1	Spring Cap Assembly - c.c.
5	00108	01176	1	Washer
6	00109		1	Machine Screw, 8-32 x 1/4 Fillister Hd.
		00134	1	Machine Screw, 10-24 x 1/4 Fillister Hd.
7	00074	00074	4	O-Ring, 15/16 x 1-1/16 x 1/16 ⊙
8	00077		1	Retaining Ring - c.c. only ●
9	00096	00096	1	Detent Cap Assembly
10	00083	00097	1	Detent Unit ●
11	00100	00100	1	Control Knob
12	02541	00098	1	Reversing Spool Assembly
13	00073	00130	1	Seal Cap Assembly
14	00099	00099	1	Seal Cap Assembly
15	00112		2	Quad Ring, 3/8 x 1/2 x 1/16 } Included in
	00173		2	Quad Ring, 3/8 x 1/2 x 1/16 } Items 4, 9 ⊙
16		00173	4	Quad Ring, 3/8 x 1/2 x 1/16 } 13, 14
17	00048	00048	1	Bearing ●
18	00616	00911	1	Trigger Hinge ●
19	00070		1	Trigger
20	00113		1	Trigger Link ●
21		00913	1	Upper Trigger
22		02393	1	Lower Trigger
23		00128	2	Roll Pin, 1/8 x 1/2 ●
24		00129	1	Roll Pin, 5/32 x 1 ●
25	00304	00304	1	Trigger Guard
26	00047	00047	2	Cap Screw, 1/4-20 x 7/8 Hex. Soc. Hd.
27	00046	00046	2	Lock Washer
28		00141	1	O-Ring, 2-7/8 x 3 x 1/16 ⊙
29	00165	00094	1	Machine Screw, 1/4-20 x 1
30	00045	00092	3	Cap Screw, 1/4-20 x 1-1/4 Hex. Soc. Hd.
31	00046	00093	3	Lock Washer
32		00961	1	Pipe Plug, 1/8 NPT
33	00049	00049	1	O-Ring, 2 x 2-1/8 x 1/16 ⊙
34	00057	00057	2	Oil Tube
35	00106	00106	4	O-Ring, 3/8 x 1/2 x 1/16 ⊙
36	02738	02738	1	Name Tag
37	02966	02967	1	Motor Assembly
38	00058	00058	1	Front Bearing Retainer
39	00061	00061	2	Dowel Pin, 3/16 x 1-1/4
40	00059	00059	4	Needle Bearing
41	00621	00621	2	O-Ring, 1-1/4 x 1-3/8 x 1/16 ⊙
42	00065	00065	1	Drive Gear
43	00064	00064	1	Idler Gear
44	00062	00062	1	Gear Chamber
45	00067	00067	1	Rear Bearing Retainer
46	00068	00095	8	Cap Screw, 8-32 x 1-1/4 Soc. Hd.
47	00051	00051	1	Retaining Ring ●
48	00011	00011	1	Retaining Ring ●
49	00048	00048	1	Bearing ●
50	00052	00052	1	Motor Shaft
51	01083	01083	1	Key ●
52	00054	00054	1	Retaining Ring ●
53	00053	00053	1	Washer
54	00106	00106	1	O-Ring, 3/8 x 1/2 x 1/16 ⊙
55	00056	00056	1	Seal Liner ⊙
56	00112	00112	1	Quad Ring, 1/4 x 3/8 x 1/16 ⊙
57	00179	00179	1	Washer, Seal Liner
58	00063	00063	1	Idler Shaft
59		00137	1	Packing Nut
60		00138	1	O-Ring, 1-1/8 x 1-1/4 x 1/16 ⊙
61		00139	1	O-Ring, 1-7/16 x 1-9/16 x 1/16 ⊙
62		00140	1	Quad Ring, 1-1/8 x 1-3/8 x 1/8 ⊙
63		00634	2	Nylon Lock ⊙

● Denotes Part In Repair Kit
 ⊙ Denotes Part In Seal Kit

o.c. Open Center
 c.c. Closed Center
 U/W Underwater Models

Illus. Index No.	Part No.	Part No.	Qty. Per Unit	PART NAME
	Land	U/W		
	06122	02285	1	Impact Mechanism, 5/8 Q.C.
	06123	02286	1	Impact Mechanism, 3/4 SQ.
64	06038	06038	1	Hammer Assembly
65	06037	06037	1	Hammer
66	06113	06113	1	Spring
67	06035	06035	1	Bearing Race
68	06002	06002	20	Bearing Ball
69	06030	06030	1	Planet Gear Assembly
70	06029	06029	1	Planet Gear Frame
71	06046	06046	1	Thrust Bearing
72	06031	06031	2	Planet Gear
73	06034	06034	1	Bearing Race
74	06032	06032	2	Planet Gear Shaft
75	06036	06036	2	Ball
76	06042	01390	1	Hammer Case Assembly, 5/8 Q.C.
77	06074	00136	1	Hammer Case Bushing
78	06041	06041	1	Anvil Assembly, 5/8 Q.C.
79	06040	06040	1	Anvil
80	06036	06036	2	Ball
81	06116	06116	1	Retaining Sleeve
82	06117	06117	1	Spring
83	06118	06118	1	Thrust Ring
84	06119	06119	2	Lock Ring
85	06042	01390	1	Hammer Case Assembly, 3/4 SQ.
86	06074	00136	1	Hammer Case Bushing
87	06039	06039	1	Anvil, 3/4 SQ.
88	00072		1	Roll Pin, 1/8 x 3/8 ●

REPAIR AND SEAL KIT DATA

Note: Seal Kit Included in Repair Kit

Part No.	Part No.	Qty.	Description
Land	U/W		
Repair Kit Part No. 01156 (Land Models)			
Repair Kit Part No. 01158 (Underwater Models)			
00006	00006	1	Spring
00010	00010	1	Key
00011	00011	1	Retaining Ring
00048	00048	1	Bearing
00051	00051	1	Retaining Ring
00054	00054	1	Retaining Ring
00616	00911	1	Trigger Hinge
00072	00128	2	Roll Pin
00077		1	Retaining Ring
00080	00080	1	Spring
00083	00097	1	Detent Unit
00113		1	Trigger Link
01083	01083	1	Key
	00129	1	Roll Pin
01155	01157	1	Seal Kit

Part No.	Part No.	Qty.	Description
Land	U/W		
Seal Kit Part No. 01155 (Land Models)			
Seal Kit Part No. 01157 (Underwater Models)			
00049	00049	1	O-Ring
00053	00053	1	Washer
00106	00106	5	O-Ring
00056	00056	1	Seal Liner
00074	00074	4	O-Ring
00112		5	Quad Ring
00621	00621	2	O-Ring
00179	00179	1	Seal Washer
	00634	2	Nylon Lock
	00138	1	O-Ring
	00139	1	O-Ring
	00140	1	Quad Ring
	00141	1	O-Ring
	00173	4	Quad Ring
	00112	1	Quad Ring

STANLEY
helps you do things right

Stanley Hydraulic Tools

Division of The Stanley Works
13770 S.E. Ambler Road
Clackamas, Oregon 97015
Phone: 503/659-5660
Telex: 360771