

**STANLEY**  
 helps you do things right

**Stanley Hydraulic Tools**  
 Division of The Stanley Works  
 3810 S.E. Naef Road  
 Milwaukie, Oregon 97267  
 Phone: 503/659-5660  
 Telex: 360771

# PARTS LIST

**IW04 &  
 IW05**



## SPECIFICATIONS

Weight .....	5 lbs/2.3 kg
Pressure Range .....	700-2000 psi/50-140 BAR
Flow Range IW04XXX .....	3-4 gpm/11-15 lpm
IW05XXO .....	5-6 gpm/19-23 lpm
IW05XX8 .....	7-9 gpm/26-34 lpm
Output Speed at Max. Flow .....	1100 RPM
Porting .....	3/8 pipe
System Type .....	o.c. or c.c.
Length .....	8-3/4 inch
Height .....	10 inch

U.S. Patent Numbers 3 421 412, 3 330 302, 3 350 985

**MODELS IW04 & IW05**

**HYDRAULIC IMPACT  
 WRENCH & DRILL**

Illus. Index No.	IW04 Part No.	IW05 Part No.	Qty. Per Unit	PART NAME
1	01957	01957	1	Valve Handle Assembly
2	03252	03252	4	O-Ring, 7/16 x 9/16 x 1/16
3	03532	03532	1	Spool, Forward-Reverse
4	0752	03525*	1	Spool, Forward-Reverse (marked "B" on end)
5	01812	0752	1	Retaining Ring, 7/16 Ext.
6	00626	01812	2	Screw, 5/16-18
7	00627	00626	1	Spool, On-Off - o.c.
8	01931	00627	1	Spool, On-Off - c.c.
9	01836	01931	1	Spring
10	01850	01836	2	Roll Pin, 1/8 x 1 *
11	00785	01850	2	Retainer Pin
12	01845	00785	2	Slide Screw
13	01852	01845	1	Spring Clip
14	01006	01852	4	Machine Screw, 5/16-18 x 3/8 Button Hd.
15	00756	01006	2	O-Ring, 3/8 x 1/2 x 1/16
16	00649	00756	2	Oil Tube
17	00046	00649	2	Shoulder Screw, 1/4 x 3/8 Hex. Soc. Hd.
18	01425	00046	2	Lifting Ring
19	01426	01425	1	Lifting Ring Anchor
20	00753	01426	3	Cap Screw, 10-24 x 1-1/4 Hex. Soc. Hd.
21	00733	00753	3	Lock Washer, #10
22	02736	00733	3	Lock Washer, #10
23	06120	02736	1	Lock Washer, #10
N.I.	06121	06120	1	Impact Unit, 1/2" Sq. Drive
N.I.	06003	06121	1	Impact Unit, 7/16" Quick Change
N.I.	06019	06003	1	Thrust Bearing
24	06006	06019	1	Hammer Assembly
25	06018	06006	2	Cam Ball
26	06021	06018	1	Hammer
27	06017	06021	1	Spring
28	06000	06017	1	Race
29	06013	06000	18	Ball, Thrust Bearing
30	06014	06013	1	Gear Frame Assembly
31	06011	06014	1	Gear Frame
32	06012	06011	2	Shaft
33	06005	06012	2	Bushing
34	06024	06005	2	Anvil, 1/2" Sq. Drive
35	06025	06024	1	Anvil Assembly, 7/16" Quick Change
36	06026	06025	1	Anvil
37	06001	06026	1	Retainer Ball
38	06007	06001	1	Retainer Sleeve
39	06008	06007	1	Retainer Spring
40	06009	06008	1	Thrust Ring
41	06020	06009	2	Thrust Ring Lock
42	06013	06020	1	Hammer Case Assembly, 1/2" Sq. Drive
43	06016	06013	1	Bushing
44	06027	06016	1	Shield
45	06028	06027	1	Hammer Case Assembly, 7/16" Quick Change
		06028	1	Bushing

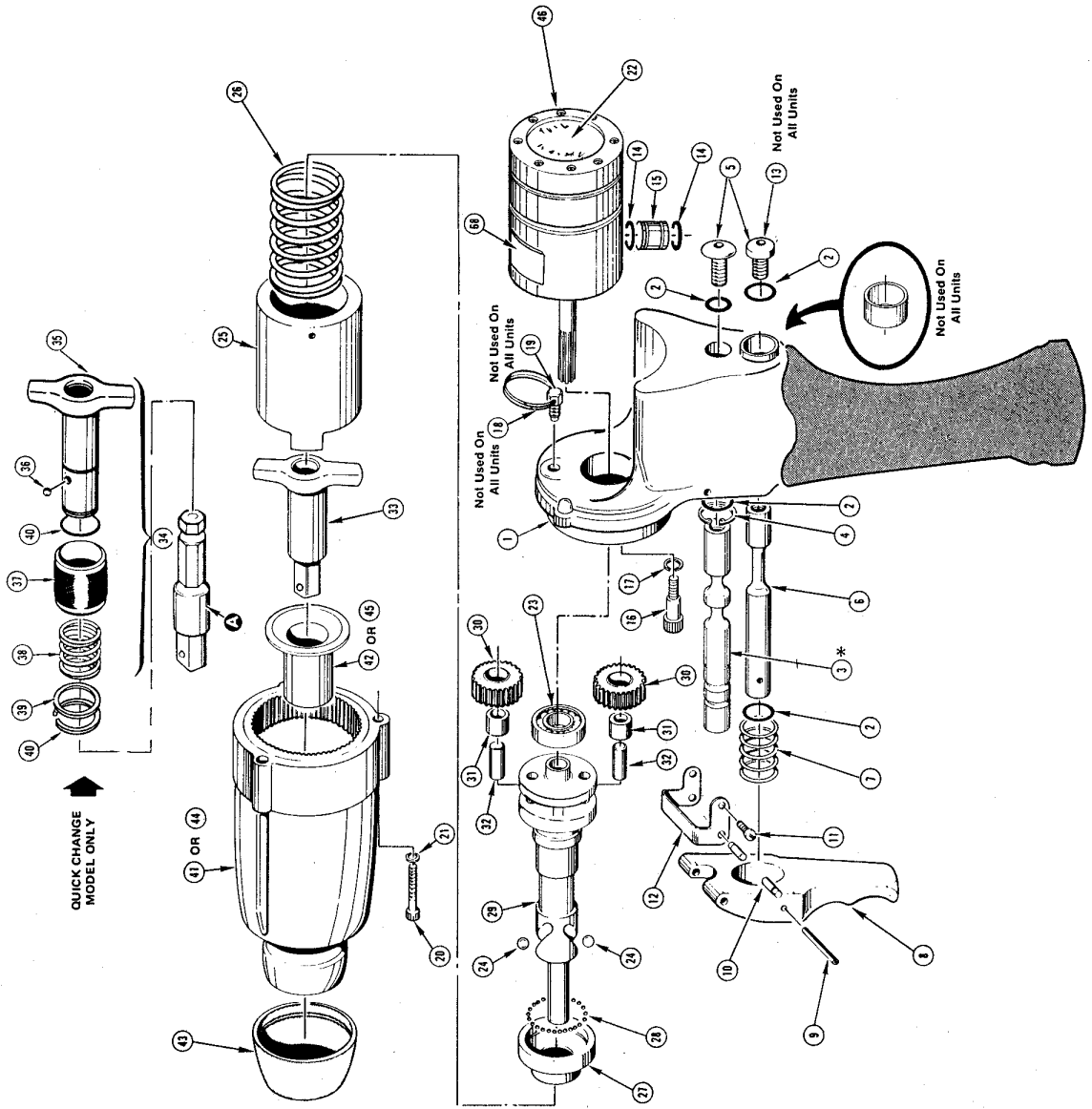
\* Identifies 6 GPM Model IW05 Tools with an "8" Marked on the End.

ADAPTER Part Number 05117 Used to Adapt 7/16 inch Quick Change to 1/2 Inch Square Drive

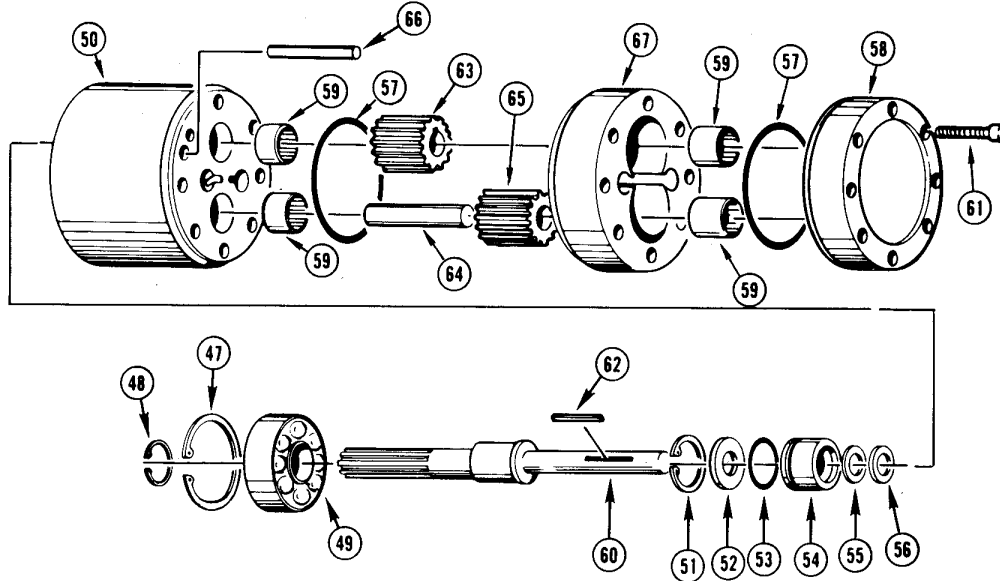
Denotes Part in Repair Kit

Denotes Part in Seal Kit

NOTE: Use Part Number and Part Name when ordering.



# HYDRAULIC MOTOR ASSEMBLY



Illus. Index No.	IW04 Part No.	IW05 Part No.	Qty. Per Unit	PART NAME
46	02960	02965	1	Motor Assembly
47	00011	00011	1	Retaining Ring, 1.023 Int. ●
48	00051	00051	1	Retaining Ring, .394 Ext. ●
49	00048	00048	1	Bearing ●
50	03415	03415	1	Front Bearing Retainer Assy (Incl. item 59)
51	00054	00054	1	Retaining Ring, 9/16 Int. ●
52	00053	00053	1	Washer, Seal Liner ●
53	00106	00106	1	O-Ring, 3/8 x 1/2 x 1/16 ⊙
54	00056	00056	1	Seal Liner ⊙
55	00112	00112	1	Quad Ring, 1/4 x 3/8 x 1/16 ⊙
56	00179	00179	1	Seal Washer ⊙
57	00621	00621	2	O-Ring, 1-1/4 x 1-3/8 x 1/16 ⊙
58	03404	03404	1	Rear Bearing Retainer Assy (Incl. Item 59)
59	00059	00059	4	Needle Bearing
60	00781	00780	1	Motor Shaft
61	00779		8	Cap Screw, 8-32 x 1 Soc. Hd.
		00068	8	Cap Screw, 8-32 x 1-1/4 Soc. Hd.
62	01084	01083	1	Key ⊙
63	00852	00065	1	Drive Gear
64	00988	00063	1	Idler Shaft
65	00853	00064	1	Idler Gear
66	00024	00061	2	Dowel Pin
67	00859	00062	1	Gear Chamber
68	03831		1	GPM Sticker, 3-4 GPM/2000 PSI
		03782	1	GPM Sticker, 4-6 GPM/2000 PSI (IW05XX0)
		03786	1	GPM Sticker, 7-9 GPM/2000 PSI (IW05XX8)

## REPAIR AND SEAL KIT DATA

NOTE: Seal Kit Included In Repair Kit

Part No.	Qty.	Description	Part No.	Qty.	Description
<b>Repair Kit Part No. 02033</b>					
00011	1	Retainer Ring	00785	2	Screw
00048	1	Bearing	01083	1	Key
00051	1	Retainer Ring	01084	1	Key
00053	1	Liner	<b>Seal Kit Part No. 01121</b>		
00054	1	Retainer Ring	03252	4	O-Ring
01931	1	Spring	00106	5	O-Ring
00752	1	Retainer Ring	00056	1	Liner
01851	1	Roll Pin	00112	1	Quad Ring
01845	2	Clip	00179	1	Washer
01850	2	Pin	00621	2	O-Ring