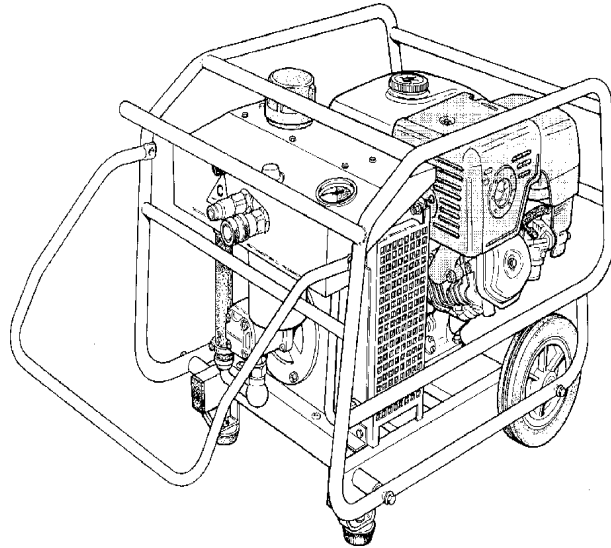


# HP081523D

## Hydraulic Power Unit



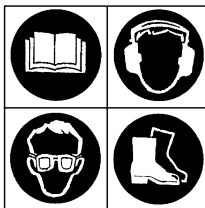
### Safety, Operation and Routine Maintenance User's Manual

 **DANGER**

SERIOUS INJURY OR DEATH COULD RESULT FROM THE IMPROPER REPAIR OR SERVICE OF THIS TOOL.

REPAIRS AND / OR SERVICE TO THIS TOOL MUST ONLY BE DONE BY AN AUTHORIZED AND CERTIFIED DEALER.

**Please stick  
serial number  
label here**



Copyright © 2000 The  
Stanley Works  
OPS USA/CE VERSION  
41217 11/00 Ver 1

**Stanley Hydraulic Tools**  
3810 SE Naef Road  
Milwaukie, OR 97267-5698 USA  
Phone: (503) 659-5660  
Fax: (503) 652-1780

# **SAFETY FIRST**

It is the responsibility of the operator and service technician to read rules and instructions for safe and proper operation and maintenance.


A cautious worker  
using common sense  
is the greatest safety device

**COPYRIGHT© 2000 The Stanley Works. All rights reserved.**






Under copyright law, this document may not be copied in whole or in part without the prior written consent of The Stanley Works. This exception does not permit copies to be made for others, whether or not sold. Under the law, copying includes translating into another language, format, or medium. This copyright notice must appear on any permitted copies.

Accessories .....	13
Hydraulic Hose Requirements .....	5
Operation .....	4-8
Routine Maintenance .....	9-11
Parts List .....	14-19
Safety .....	2-3
Specifications .....	13
Tool Stickers & Tags .....	4-5
Troubleshooting .....	12
Warranty .....	20

**SERVICING THE HP08 POWER UNIT:** This manual contains safety, operation, and routine maintenance instructions. Stanley Hydraulic Tools recommends that servicing of hydraulic tools and power units, other than routine maintenance, must be performed by an authorized and certified dealer. Please read the following warning.

 <b>DANGER</b>
<b>SERIOUS INJURY OR DEATH COULD RESULT FROM THE IMPROPER REPAIR OR SERVICE OF THIS EQUIPMENT.</b>
<b>REPAIRS AND / OR SERVICE TO THIS EQUIPMENT MUST ONLY BE DONE BY AN AUTHORIZED AND CERTIFIED DEALER.</b>

For the nearest authorized and certified dealer, call Stanley Hydraulic Tools, 1-800-972-2647/1-503-659-5660 and ask for a Customer Service Representative.

		 <b>DANGER</b>
		

**Do not operate this equipment or associated equipment until the following safety instructions have been thoroughly read and understood! Read this manual before installing, operating or maintaining this equipment.**

Tool operators and maintenance personnel must always comply with the safety precautions given in this manual and on the stickers and tags attached to the equipment.

These safety precautions are given for your safety. Review them carefully before operating the power unit and before performing general maintenance or repairs.

Supervising personnel should develop additional precautions relating to the specific work area and local safety regulations. If so, place the added precautions in the space provided on page 3.

In addition to this manual, read and understand safety and operating instructions in the Engine Operation Manual furnished with the power unit.

---

## GENERAL SAFETY PRECAUTIONS

---

The HP08 Hydraulic Power Unit will provide safe and dependable service if operated in accordance with the instructions given in this manual. Read and understand this manual and any stickers and tags attached to the power unit. Read and understand the engine manual furnished with the unit. Failure to do so could result in personal injury or equipment damage.

- Operators must start in a work area without bystanders. The operator must be familiar with all prohibited work areas such as excessive slopes and dangerous terrain conditions.
- Establish a training program for all operators to ensure safe operation.
- Do not operate the power unit unless thoroughly trained or under the supervision of an instructor.
- Always wear safety equipment such as goggles, ear and head protection, and safety shoes at all times when operating the power unit and a hydraulic tool.
- Do not inspect or clean the power unit while the unit is running.
- Always use hoses and fittings rated at 2500 psi/172 bar with a 4 to 1 safety factor. Be sure all hose connections are tight and that tools are operated at the extremity of the transmission hoses connecting the tool to the power unit.
- Make sure all hoses are connected for correct flow direction to and from the tool being used and that the hydraulic power supply is compatible with the tool to be used. It is DANGEROUS to use a hydraulic tool with an incompatible flow rate and pressure.
- Do not inspect hoses and fittings for leaks by using bare hands. "Pin-hole" leaks can penetrate the skin.
- **Never operate the power unit in a closed space.** Inhalation of engine exhaust can be fatal.

- Do not operate a damaged or improperly adjusted power unit
- Never wear loose clothing that can get entangled in the working parts of the power unit.
- Keep all parts of your body away from the working parts of the power unit.
- Always wear appropriate safety equipment such as goggles, ear protection, and toe guards. Certain tools used in conjunction with the power unit may require other safety equipment such as breathing filters.
- Keep clear of hot engine exhaust.
- Do not add fuel to the power unit while the power unit is running or is still hot.
- Do not operate the power unit if gasoline odor is present.
- Do not use flammable solvents around the power unit engine.
- Do not operate the power unit within 3.3 ft/1 m of buildings, obstructions, or flammable objects.
- Allow the engine to cool before storing the power unit in an enclosure.
- To avoid personal injury or equipment damage, all tool repair, maintenance and service must only be performed by authorized and properly trained personnel.

---

## LOCAL SAFETY REGULATIONS

---

Enter any local safety regulations here. Keep these instructions in an area accessible to the operator and maintenance personnel.

---



---



---



---



---



---



---



---



---

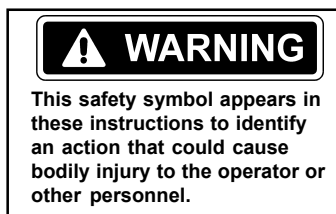


---

## SAFETY SYMBOLS

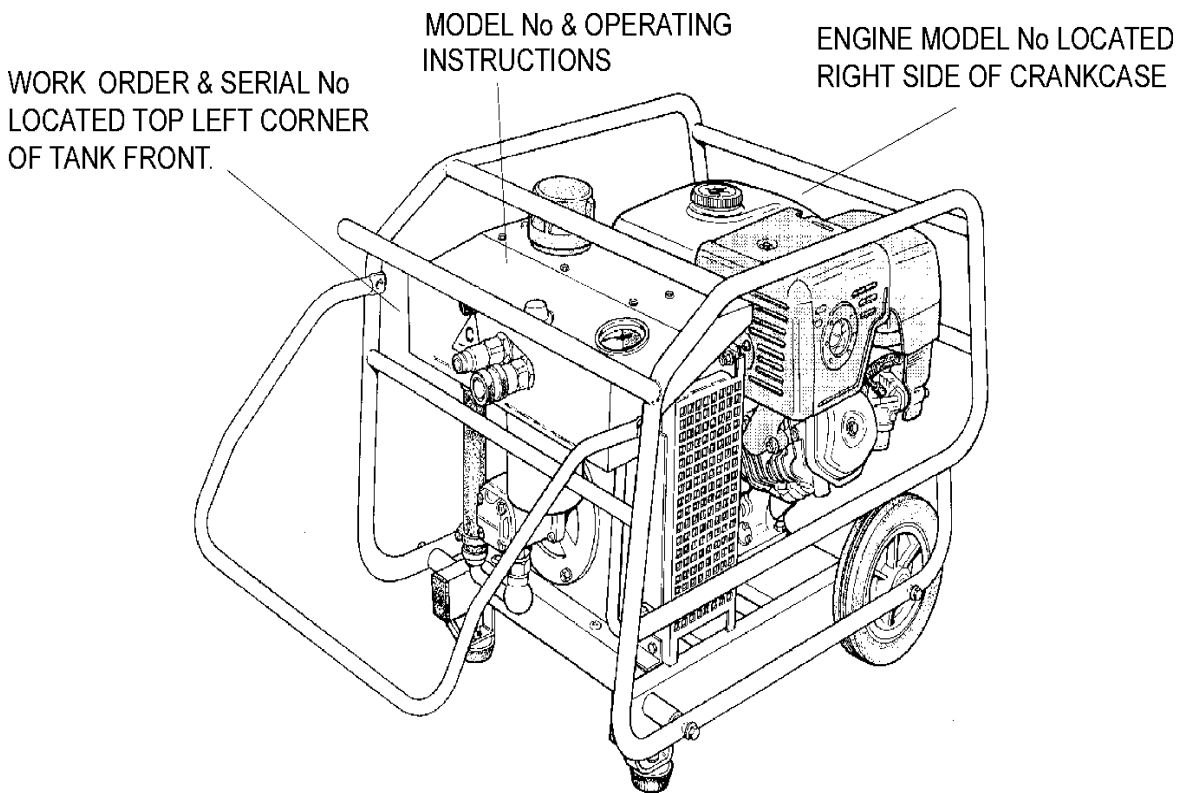
---

Safety symbols are used to emphasize all operator, maintenance and repair actions which, if not strictly followed, could result in a life-threatening situation, bodily injury or damage to equipment.



Always observe safety symbols. They are included for your safety and for the protection of the tool.

# DECALS, STICKERS & TAGS



The safety tag (p/n 15875) at right is attached to the power unit when shipped from the factory. Read and understand the safety instructions listed on this tag before removal. We suggest you retain this tag and attach it to the power unit when not in use.

**DANGER**

1. FAILURE TO USE HYDRAULIC HOSE LABELED AND CERTIFIED AS NON-CONDUCTIVE WHEN USING HYDRAULIC TOOLS ON OR NEAR ELECTRICAL LINES MAY RESULT IN DEATH OR SERIOUS INJURY.  
  
BEFORE USING HOSE LABELED AND CERTIFIED AS NON-CONDUCTIVE ON OR NEAR ELECTRICAL LINES BE SURE THE HOSE IS MAINTAINED AS NON-CONDUCTIVE. THE HOSE SHOULD BE REGULARLY TESTED FOR ELECTRIC CURRENT LEAKAGE IN ACCORDANCE WITH YOUR SAFETY DEPARTMENT INSTRUCTIONS.
2. A HYDRAULIC LEAK OR BURST MAY CAUSE OIL INJECTION INTO THE BODY OR CAUSE OTHER SEVERE PERSONAL INJURY.
  - A. DO NOT EXCEED SPECIFIED FLOW AND PRESSURE FOR THIS TOOL. EXCESS FLOW OR PRESSURE MAY CAUSE A LEAK OR BURST.
  - B. DO NOT EXCEED RATED WORKING PRESSURE OF HYDRAULIC HOSE USED WITH THIS TOOL. EXCESS PRESSURE MAY CAUSE A LEAK OR BURST.
  - C. CHECK TOOL HOSE COUPLERS AND CONNECTORS DAILY FOR LEAKS. DO NOT FEEL FOR LEAKS WITH YOUR HANDS. CONTACT WITH A LEAK MAY RESULT IN SEVERE PERSONAL INJURY.

**IMPORTANT**

READ OPERATION MANUAL AND SAFETY INSTRUCTIONS FOR THIS TOOL BEFORE USING IT.

USE ONLY PARTS AND REPAIR PROCEDURES APPROVED BY STANLEY AND DESCRIBED IN THE OPERATION MANUAL.

TAG TO BE REMOVED ONLY BY TOOL OPERATOR.

SEE OTHER SIDE 15875

**DANGER**

- D. DO NOT LIFT OR CARRY TOOL BY THE HOSES. DO NOT ABUSE HOSE. DO NOT USE KINKED, TORN OR DAMAGED HOSE.
3. MAKE SURE HYDRAULIC HOSES ARE PROPERLY CONNECTED TO THE TOOL BEFORE PRESSURING SYSTEM. SYSTEM PRESSURE HOSE MUST ALWAYS BE CONNECTED TO TOOL "IN" PORT. SYSTEM RETURN HOSE MUST ALWAYS BE CONNECTED TO TOOL "OUT" PORT. REVERSING CONNECTIONS MAY CAUSE REVERSE TOOL OPERATION WHICH CAN RESULT IN SEVERE PERSONAL INJURY.
4. DO NOT CONNECT OPEN-CENTER TOOLS TO CLOSED-CENTER HYDRAULIC SYSTEMS. THIS MAY RESULT IN LOSS OF OTHER HYDRAULIC FUNCTIONS POWERED BY THE SAME SYSTEM AND/OR SEVERE PERSONAL INJURY.
5. BYSTANDERS MAY BE INJURED IN YOUR WORK AREA. KEEP BYSTANDERS CLEAR OF YOUR WORK AREA.
6. WEAR HEARING, EYE, FOOT, HAND AND HEAD PROTECTION.
7. TO AVOID PERSONAL INJURY OR EQUIPMENT DAMAGE, ALL TOOL REPAIR MAINTENANCE AND SERVICE MUST ONLY BE PERFORMED BY AUTHORIZED AND PROPERLY TRAINED PERSONNEL.

**IMPORTANT**

READ OPERATION MANUAL AND SAFETY INSTRUCTIONS FOR THIS TOOL BEFORE USING IT.

USE ONLY PARTS AND REPAIR PROCEDURES APPROVED BY STANLEY AND DESCRIBED IN THE OPERATION MANUAL.

TAG TO BE REMOVED ONLY BY TOOL OPERATOR.

SEE OTHER SIDE 15875

SAFETY TAG P/N 15875 (shown smaller than actual size)

# HYDRAULIC HOSE REQUIREMENTS

## HOSE TYPES

Hydraulic hose types authorized for use with Stanley Hydraulic Tools are as follows:

- ① Certified non-conductive
- ② Wire-braided (conductive)
- ③ Fabric-braided (not certified or labeled non-conductive)

Hose ① listed above is the only hose authorized for use near electrical conductors.

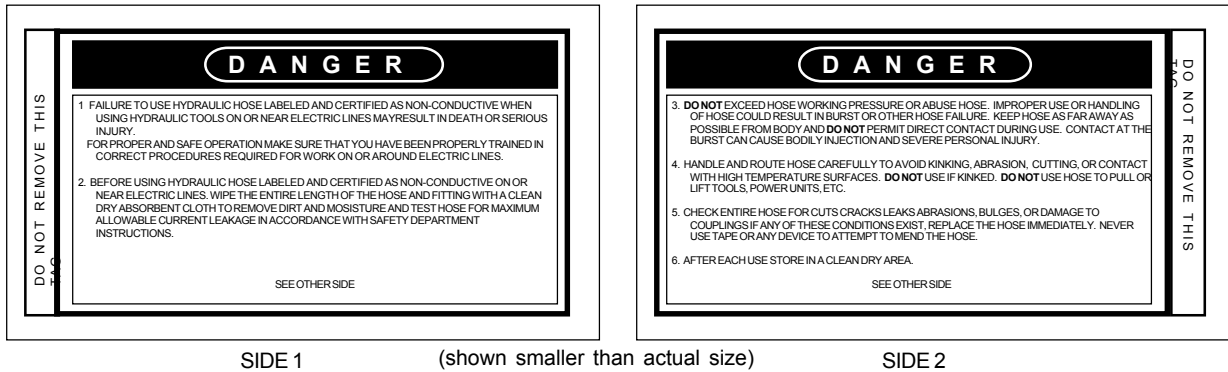
Hoses ② and ③ listed above are **conductive** and **must never** be used near electrical conductors.

## HOSE SAFETY TAGS

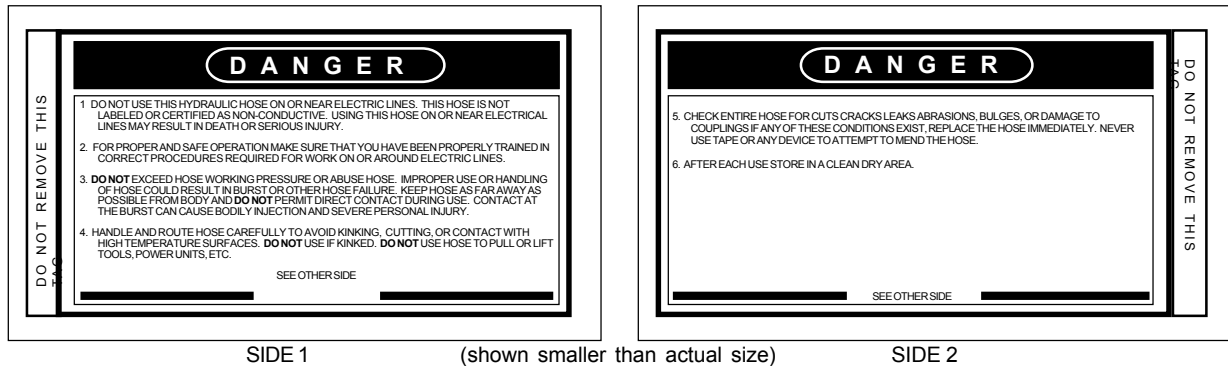
To help ensure your safety, the following DANGER tags are attached to all hose purchased from Stanley Hydraulic Tools. **DO NOT REMOVE THESE TAGS.**

If the information on a tag is illegible because of wear or damage, replace the tag immediately. A new tag may be obtained at no charge from your Stanley Distributor.

The tag shown below is attached to "certified non-conductive" hose.



The tag shown below is attached to "conductive" hose.



## HOSE PRESSURE RATING

The rated working pressure of the hydraulic hose **must be equal to or higher than** the relief valve setting on the hydraulic system.

---

## PREPARATION FOR USE

---

Do not operate the power unit until you have read the *engine* operating and maintenance instructions manual furnished with the unit.

### 1. ENGINE CRANKCASE OIL LEVEL

Always check the oil level before starting the engine. Make sure the oil level is at the FULL MARK on the dipstick. Do not overfill. Use detergent oil classified "For Service SD, SE, SF, SG" as specified in the engine operating and maintenance manual.

### 2. ENGINE FUEL LEVEL

Check the fuel level. If low, fill with unleaded gasoline with a minimum of 85 octane. Do not mix oil with gasoline.

### 3. HYDRAULIC FLUID

Check the sight gauge on the hydraulic fluid reservoir for the proper fluid level. If the sight gauge indicates the fluid level is low, add hydraulic fluid to the hydraulic oil tank via the filler on the top.

NOTE: WHEN TOPPING UP THE HYDRAULIC TANK IT IS ADVISABLE TO USE A STRAINER. DO NOT OVERFILL.

The following oils are recommended for use:

ISO VG T32 SPEC for use in ambient temperatures below 32 Degrees Centigrade.

ISO VG T46 SPEC for use in ambient temperatures above 32 Degrees Centigrade.

### 4. HYDRAULIC CONNECTIONS

Facing the control valve, the left-hand male quick disconnect fitting is the pressure (FLUID OUT) fitting. The right-hand female quick disconnect fitting is the return (FLUID IN) fitting.

The recommended hose length is 25 ft/8 m with a 1/2 inch/12.7 mm inside diameter. The hoses must have a working pressure rating of at least 2500 psi/175 bar. Each hose end must have male thread ends compatible with E.H.T.M.A./H.T.M.A. (HYDRAULIC TOOL MANUFACTURERS ASSOCIATION) quick disconnect fittings (NPT type threads). (see next page)

Longer hoses are not recommended. If small diameter or long hoses are used, or if restrictive fittings are connected to the supply and return ports, the pressure required to push the fluid through the system and back to the hydraulic tank will be higher. If the pressure is too high, this may cause the engine to stall. Also see "HYDRAULIC HOSE REQUIREMENTS" earlier in this manual.

### 5. GENERAL

The HP08 Power Unit provides one hydraulic tool circuit with an oil flow of 5.28 gpm/20 lpm up to 2250 psi/155 bar. Oil flow is regulated by sliding the throttle lever to the full throttle position.

---

## QUICK DISCONNECT COUPLERS

---

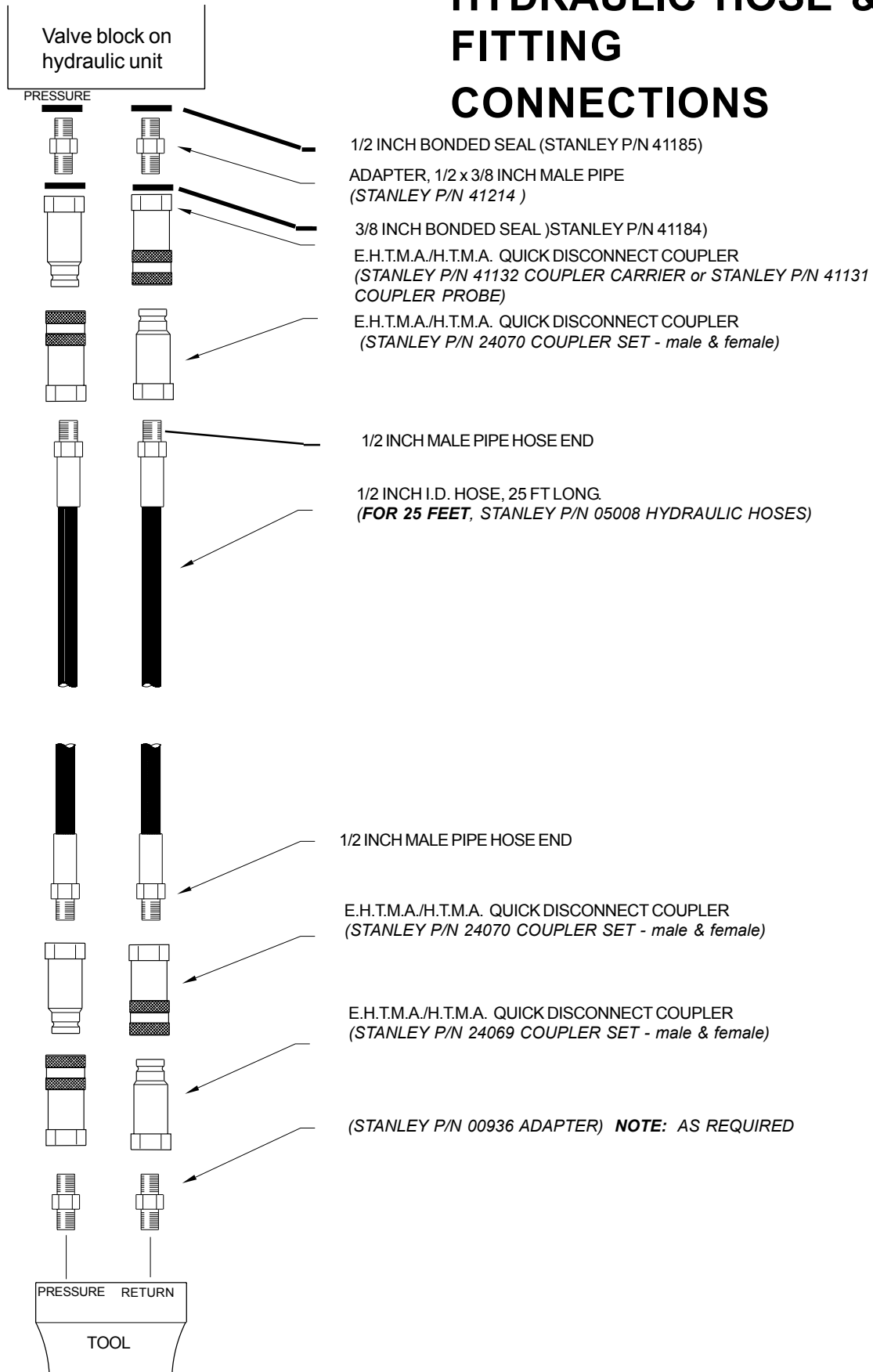
E.H.T.M.A./H.T.M.A. approved quick disconnect couplings are installed to hydraulic hoses so that the direction of oil flow is always from the male to the female quick disconnect as shown on the next page. Quick disconnect couplings and hose fittings are selected so that additional fittings such as reducer or adapter fittings are not required.

If adapter fittings are used, they must be approved steel hydraulic fittings meeting a minimum operating pressure rating of 2500 psi/172 bar. Do not use galvanized pipe fittings or black pipe fittings.

Use thread sealant compound or bonded seals when installing quick disconnect couplings to hose or tool fittings. Follow the instructions furnished with the selected thread sealant.



# HYDRAULIC HOSE & FITTING CONNECTIONS



DO NOT OVERTIGHTEN THE FITTINGS.

### **PRE-START CHECKS.**

In addition to checking the fluid levels mentioned previously the following should be observed.

1) Ensure that the Power Unit is standing on stable ground or where necessary that it is suitably chocked for stability.

**CAUTION: DO NOT OPERATE THE MACHINE AT AN ANGLE OF GREATER THAN 20 DEGREES (FROM HORIZONTAL), OTHERWISE THE ENGINE LUBRICATING SYSTEM MAY FAIL CAUSING EXTENSIVE DAMAGE TO THE ENGINE.**

2) Ensure that the engine exhaust is not obstructed and that there is adequate ventilation to disperse the exhaust gases.

3) Ensure that the transmission hoses are positioned to avoid damage by vehicles etc., and that they will not be understrain when the accessory tool is in use.

**CAUTION: ENSURE THAT THE HOSE COUPLINGS TO THE ACCESSORY TOOL ARE THOROUGHLY CLEANED BEFORE CONNECTING. FAILURE TO DO SO MAY CAUSE DAMAGE TO THE SEALS.**

**WARNING: NEVER ATTEMPT TO ADD FUEL OR OIL WHEN THE ENGINE IS RUNNING. USE ONLY THE CORRECT GRADE AND DO NOT OVERFILL.**

### **STARTING THE ENGINE. NOTE:**

REFER TO THE ENGINE MANUAL FOR DETAILS.  
ALWAYS ENSURE THAT THE BYPASS LEVER IS IN THE BYPASS POSITION.

- 1) Open the fuel tap.
- 2) Close the choke on the carburetor.
- 3) Set the engine ignition switch to 'ON'.
- 4) Start the Engine by pulling on the recoil starter rope.
- 5) As the engine warms up, gradually return the choke to 'OPEN'.

**NOTE: THE HP08 POWER PACK IS FITTED WITH A POWER ON DEMAND DEVICE AND THE ENGINE WILL RUN AT IDLE SPEED UNTIL PRESSURE IS GENERATED IN THE HYDRAULIC SYSTEM.**

### **OPERATING CHECKS.**

Before commencing operation with a tool connected, the following checks should be carried out.

- 1) Bypass lever is in the "FLOW" position.
- 2) Check that there is no excessive engine vibrations.
- 3) Ensure that there are no hydraulic leaks from hoses or couplings.
- 4) Check that the filter condition indicator is not within the clogging sector. When this sector is indicated, the return line filter should be replaced.

Depending on the ambient temperature, optimum performance is usually achieved after 5-10 minutes operation, this is the time required for the hydraulic oil to reach its correct operating temperature.

### **STOPPING THE ENGINE. NOTE:**

REFER TO THE ENGINE MANUAL FOR DETAILS.

- 1) Set the bypass lever to the 'BYPASS' position.
- 2) Set the ignition switch to 'OFF'.
- 3) Switch off the fuel tap.

## ROUTINE MAINTENANCE

ITEM	ATTENTION	10 hrs	100hrs	300 hrs
Complete Unit.	Keep all areas clean and free from dust ,debris, etc.	*		
	Check security of all fasteners especially on engine mounts.	*		
Wheels and Feet.	Examine for damage.	*		
Transmission Hoses.	Examine for leaks or damage.	*		
Engine.	Check oil level.	*		
	Examine mountings.		*	
	Examine exhaust silencer for damage or deterioration.		*	
	Check for excess vibration when running.		*	
	Change Oil/Service (Refer to notes on next page and manufacturers instructions).			
Hydraulic Tank	Check oil level.	*		
	Replace Filter.			*
	Change Hydraulic oil.			*
Oil Cooler.	Externally clean using compressed air <b>DO NOT USE A WIRE BRUSH</b>		*	
Return line filter.	Replace as shown , or when indicator needle stays in red zone.			*
Hydraulic pipes & connectors.	Examine for oil leaks.	*		

---

## ENGINE MAINTENANCE

---

Follow the maintenance schedule and general maintenance instructions in the engine maintenance and operation manual furnished with the power unit. Normal maintenance includes:

- Service air cleaner cartridge every 50 hours of operation.
- Clean sediment cup every 50 hours or sooner if required.
- Replace the spark plug every 100 hours of operation.
- Change engine oil after first 20 hours of operation, then after every 100 hours of operation. If engine has been operating under heavy load or in high ambient temperature, change the oil every 25 hours of operation.
- Check oil level daily.
- Remove dirt and debris from engine with a cloth or brush daily. Do not use water spray.

---

## HYDRAULIC SYSTEM MAINTENANCE

---

Observe the following for maximum performance and service life from the hydraulic system.

- Always keep hydraulic system and fluids clean.
- Keep water out of fluid.
- Keep air out of hydraulic lines. Hydraulic system overheating and foam at the hydraulic tank breather indicate air is present in the lines. Keep all suction line fittings and clamps tight.
- Hydraulic system wear is noted by increased heat during tool operation, reduced tool performance and eventual system breakdown.
- Operate with the fluid temperature at 50 - 140 F/10 - 60 C for improved seal and hose life, and maximum efficiency.

### REMOVING CONDENSED MOISTURE FROM HYDRAULIC FLUID

Condensation is a frequent problem with cool mobile hydraulic circuits. This condition occurs in moist or cold climates. When warm air in the hydraulic tank draws moisture from the cooler air outside, water accumulates in the tank.

To remove water from the hydraulic system, use the "PRESSURE" hose without the quick-disconnect coupler attached. Run the engine at the idle setting and pump the fluid into a clean 5 gal./20 ltr container.

Turn the engine "OFF" as soon as the hydraulic tank (reservoir) is empty. DO NOT operate the engine with an empty hydraulic tank as pump damage may occur.

Allow the fluid to sit long enough for the water to settle to the bottom of the container. Slowly pour the fluid back into the hydraulic tank, avoiding the water at the bottom of the container.

---

## STORAGE

---

- Clean the unit thoroughly before storage. Do not use water pressure.
- Always store the unit in a clean and dry facility.
- If the unit will be stored for a prolonged period (over 30 days), add a fuel additive to the fuel tank to prevent the fuel from gumming. Run engine for a short period to circulate the additive.
- Replace crankcase oil with new oil.
- Remove the spark plug and pour approximately 1 ounce (30 ml) of engine oil into the cylinder. Replace the spark plug and crank the engine slowly to distribute the oil.
- Check hydraulic reservoir for water. If water is found, change the oil and circulate it through the tool hose and tool. (See "HYDRAULIC SYSTEM MAINTENANCE" earlier in this section).
- Disconnect tool hoses. Allow the water to settle from the fluid overnight. Install a new filter (if dirty).

## SYSTEM PRESSURE AND FLOW CHECKS.

1. Connect a suitable hydraulic test unit to the powerpack. The unit should comprise a high pressure flowmeter 0-50 l/min (13.21 gal/min), a gauge 0-200 bar (0-3000psi), a temperature gauge, and a load valve.
2. Connect the test unit to the power pack with the load valve and the By-Pass lever in the by-pass position and start the power pack. Allow the engine to warm up, set the by-pass lever to the flow position. Close the load valve completely and check that the relief valve setting is correct (Refer to Section 2). The hydraulic oil will tend to get quite hot during this operation and therefore the checking should be carried out as quickly as possible and the load valve opened before excessive temperatures are reached.
3. Carefully close the load valve to raise the pressure to 100 Bar. Check that the flow rate is between 18 and 20l/min. Adjust the engine speed to give the correct flow. **DO NOT EXCEED 3600 RPM "on load" speed.** If correct flow cannot be obtained within max engine speed then the pump must be suspect, replace as necessary.

## POWER ON DEMAND (P.O.D.) ADJUSTMENT

**The P.O.D. Cylinder and Cable Assy are designed as a cartridge that can be disassembled completely without disturbing any other part of the Power Pack. See diagram for breakdown of parts.**

- a) Slacken the P.O.D. End Cap (Item 8) and unscrew fully.
- b) Pull down the Nut/Cable to extract the Spring (Item 5) and Piston (Item 3) for examination.

**NOTE** - To connect a new Cable the piston can be withdrawn sufficiently to reveal the Grub Screw (Item 4) which clamps the cable to the piston allowing access without extracting the 'U' Ring (Item 2) from the body.

- c) The P.O.D. Body (Item 7) can be unscrewed from the Valve Block for examination if desired.
- d) The Cable can only be removed from the Tank by removal of the Clamps (Item 12). These clamps are plastic and cannot be removed without damage. Replace the clamps upon reassembly.

**NOTE** - Reassembly is the reverse of the above procedure. However, care should be taken when fitting the 'U' Ring (Item 2) into the bore of the Body (Item 7). Standard cable length allows for the cable to be pushed fully home into the piston before clamping by the Grub Screw (Item 4).

When unit is fully reassembled Adjuster (item 10) can be adjusted as follows: -

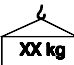

### Adjustment

- a) Start engine with cable slack and check flow and pressure as detailed below
- b) Off load the machine by operating the By-pass lever.
- c) Adjust the cable tightness by using the Adjuster (item 10) until the engine speed drops to 1800-2200 rpm.
- d) Lock off Adjuster and check that engine reaches high speed when system pressure is raised
- e) Repeat if settings are not as specified.

## TROUBLE SHOOTING

SYMPTOM.	POSSIBLE FAULT.	ACTION
Engine stops or will not start	Fuel tap switched off.	Switch on fuel tap.
	Fuel shortage.	Refuel.
	Fuel line blocked.	Clean filters/pipes.
	Air vent in filter cap blocked.	Clean.
	Air cleaner blocked.	Clean or renew element. Refer to engine manual for details.
	Engine malfunctions.	Refer to engine.
	Low engine oil .	Top up to correct level. Refer to engine manual for correct grade.
	Insufficient oil in hydraulic tank	Top up to correct level. Refer to page 6 item 3 for details.
	Engine ignition switch or connecting wires damaged.	Check for earth leak, and renew worn or damaged parts.
	Hydraulic tank float switch damaged.	Renew worn or damaged parts.
	Hydraulic pump seized.	Renew pump.
Hydraulic oil pressure low.	Bypass lever is in the 'BYPASS' position.	Set to 'FLOW'
	Relief valve set low or worn.	Check relief valve setting and adjust.
	Pump worn or damaged	Check system oil flow. (Ref page 11). Renew pump as necessary.
	Engine low on power	Refer to engine manual.
Accessory tool running hot	Oil cooler fins blocked.	Clean using air blast.
	Oil cooler fan loose or damaged	Tighten or renew as necessary.
	Hydraulic pump worn or damaged.	Renew pump.
	Relief valve set low or worn.	Check setting and renew as necessary.
	Thermal valve malfunction.	Renew valve.
	Hydraulic oil contaminated	Drain oil tank and transmission hoses and replenish with clean oil . Replace filters.
Engine speed remains at idle when tools are operated.	P.O.D. Cylinder seized in retracted position.	Check cylinder and replace P.O.D. unit as necessary.
	P.O.D. Cable adjustment incorrect .	Re-adjust as per page 11.
	Throttle lever incorrectly set at low speed.	Reset engine speed and lock throttle lever.
Engine speed remains at full when off load/bypass.	P.O.D. Cylinder seized in extended position.	Check cylinder and replace P.O.D. unit as necessary.
	P.O.D. Cable adjustment incorrect .	Re-adjust as per page 11.

## SPECIFICATIONS

Capacity .....	One 20 lpm / 5.28gpm circuit
Pressure Range .....	70-140 bar / 1000-2000 psi
Engine RPM .....	3600 RPM
Couplers .....	EHTMA/HTMA Flush Face Type Male & Female
 Weight (with oil) .....	66 kg / 145 lbs
Overall Length .....	75 cm / 29.5 in.
Overall Width .....	53 cm / 20.9 in.
Overall Height .....	57 cm / 22.5 in.
Engine .....	Honda 9.0 hp
Fuel Tank Capacity .....	6 ltr / 1.6 gal
Oil Reservoir Capacity .....	6.2 ltr / 1.6 gal
 .....	20 lpm @ 138 bar
Sound Power Level .....	Lwa 102

## ACCESSORIES

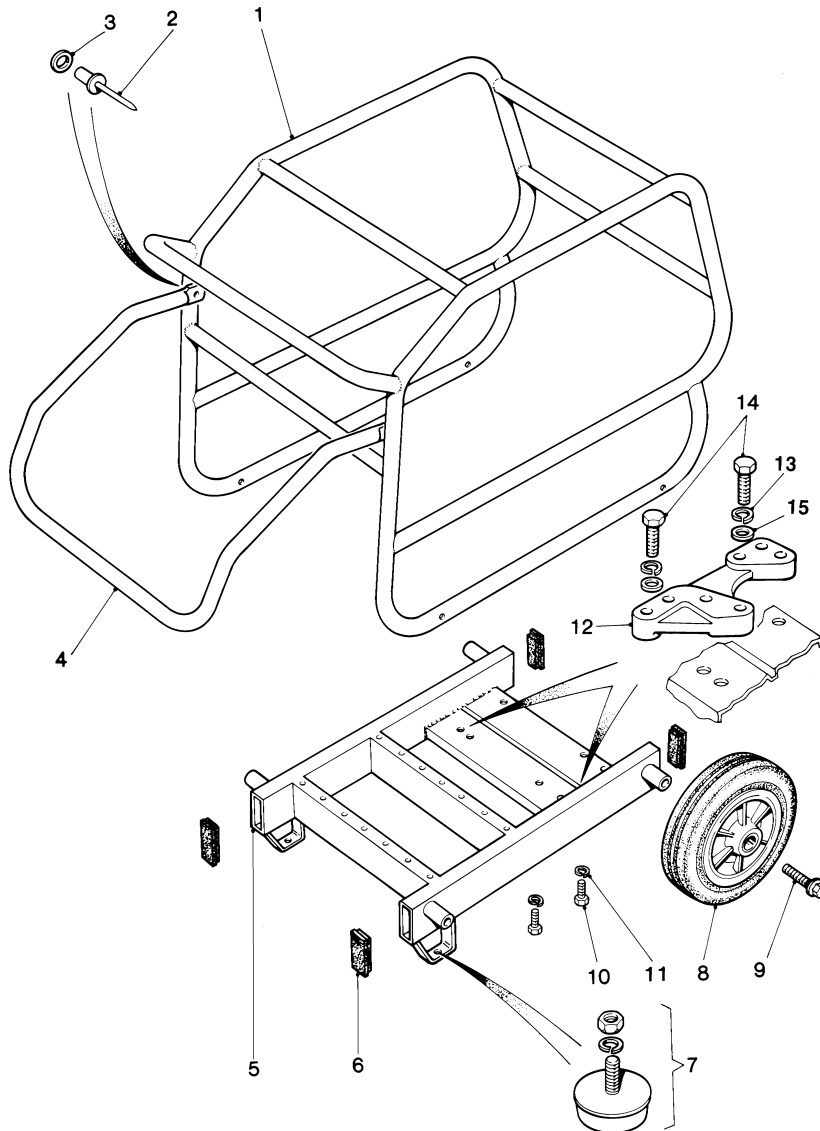
PART NO. DESCRIPTION

- 41128 Spin-on Filter
- 05008 25 feet of dual hydraulic hose (less couplers)
- 24069 HTMA Flush Face Coupler Set with 3/8 NPTF threads (male & female)
- 24070 HTMA Flush Face Coupler Set with 1/2 NPTF threads (male & female)
- 04182 Flow & Pressure Tester
- 29085 Flow & Pressure Tester with Digital Flow & Temperature Readout

# HP081523D PARTS LIST

NOTE: Use Part Number and Part Name when ordering.

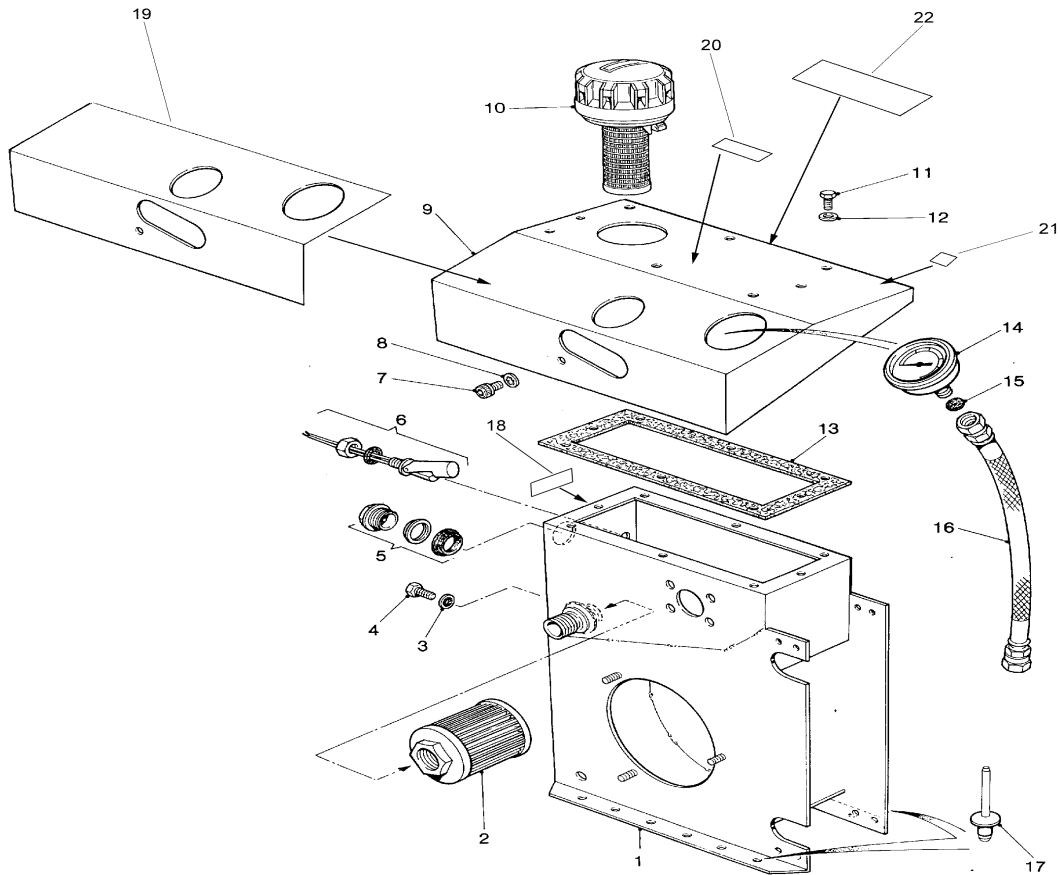
## FRAME/CHASSIS ASSY



ITEM	DESCRIPTION	PART NO.	QTY
1.	Frame	41172	1 off
2.	Rivet	41158	2 off
3.	Washer	41204	2 off
4.	Handle	41177	1 off
5.	Chassis	41165	1 off
6.	Chassis Plug	41119	4 off
7.	Bonded Foot	41130	2 off
8.	Wheel	41118	2 off
9.	Durlok Bolt	41164	4 off
10.	Blanking Plug Bolt	41196	4 off
11.	Spring Washer	41210	4 off
12.	Universal Mounting Plate	41166	2 off
13.	Spring Washer	41210	4 off
14.	Set Screw	41198	4 off
15.	Plain Washer	41205	4 off

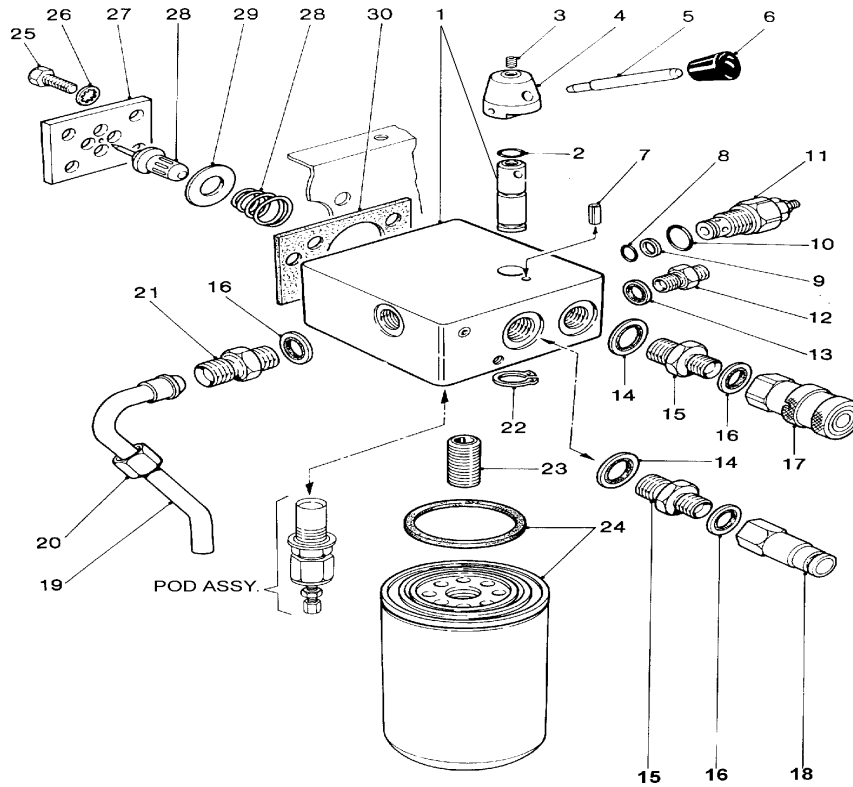


## TANK ASSY



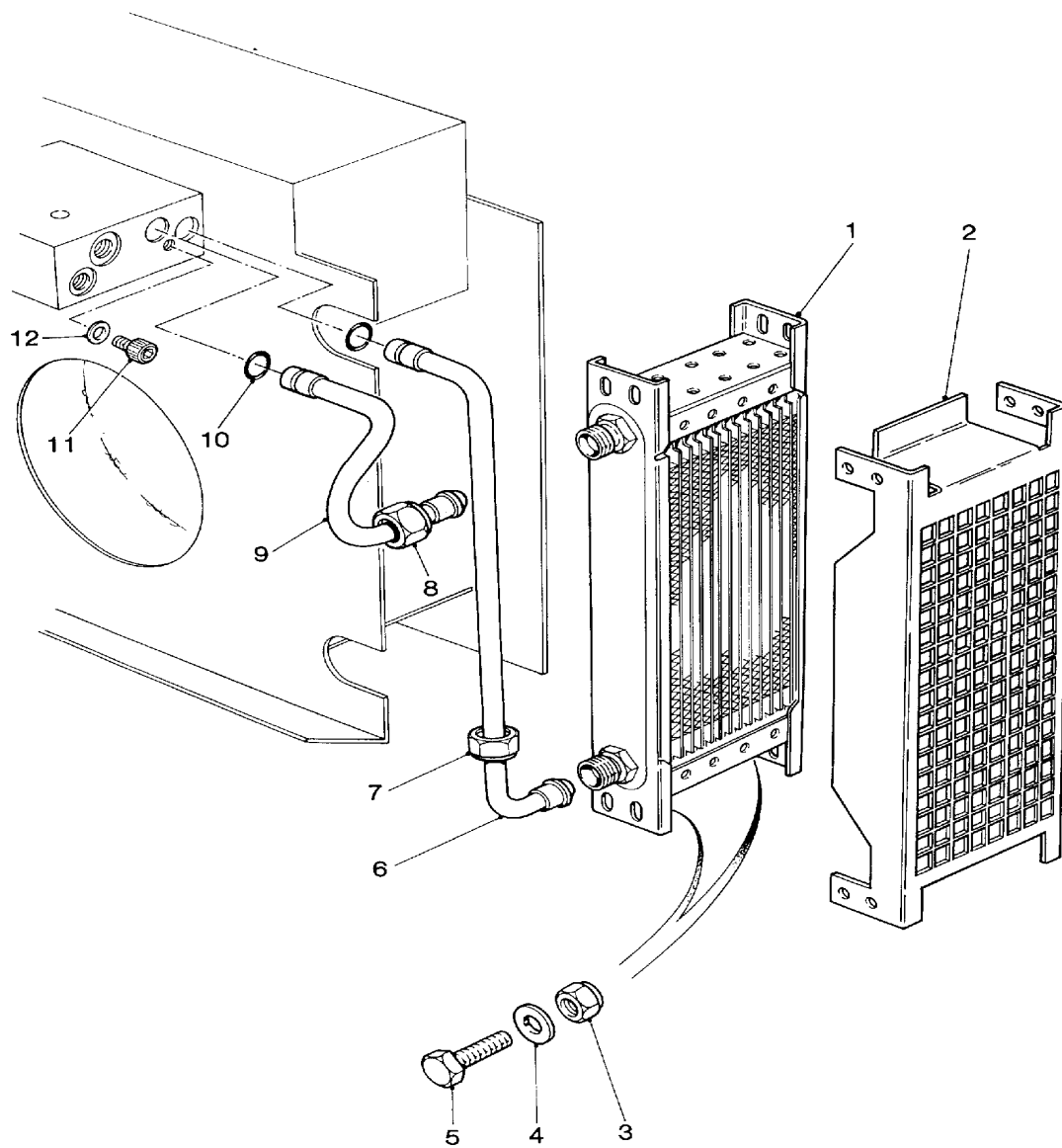
ITEM	DESCRIPTION	PART NO.	QTY
1.	Tank	41167	1 off
2.	Suction Strainer	41127	1 off
3.	Bonded Seal	41186	1 off
4.	Blanking Plug Bolt	41196	1 off
5.	Sight Glass	41173	1 off
6.	Float Switch	41136	1 off
7.	Cap Screw	41192	1 off
8.	Shakeproof Washer	41208	1 off
9.	Cowl	41169	1 off
10.	Filler/Breather Unit	41176	1 off
11.	Set Screw	41195	8 off
12.	Washer	41203	8 off
13.	Gasket	41139	1 off
14.	Pressure Gauge	41115	1 off
15.	Pressure Gauge Seal	41116	1 off
16.	Capillary Hose	41117	1 off
17.	Rivet	41159	12 off
18.	Oil level label	41628	1 off
19.	Nameplate	41218	1 off
20.	Label (HYD OIL)	41223	1 off
21.	Noise Label (102)	41222	1 off
22.	Operator Warning Icons Label	41224	1 off

## VALVE BLOCK ASSY

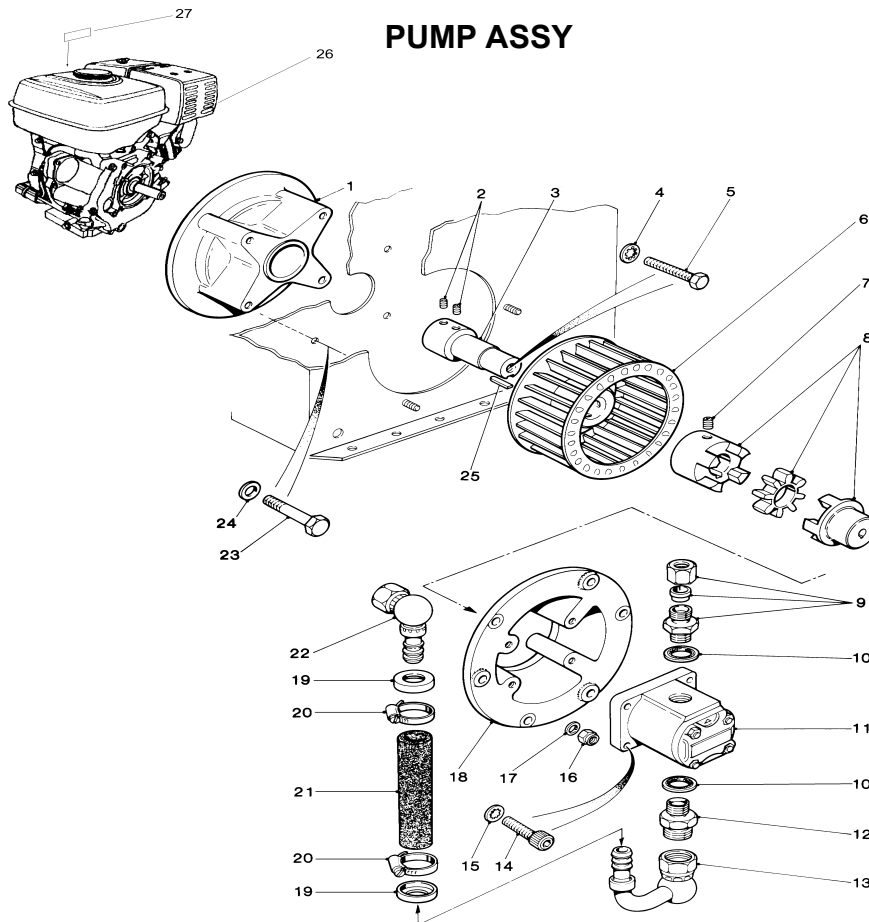


ITEM	DESCRIPTION	PART NO.	QTY
1.	Spool & Block Matched Pair	41161	1 off
2.	O Ring	41188	1 off
3.	Grub Screw	41200	1 off
4.	Boss	41140	1 off
5.	Lever	41141	1 off
6.	Knob	41121	1 off
7.	Dowel Pin	41211	1 off
8,9 & 10	Relief valve seal kit	41627	1 off
11.	Relief Valve	41153	1 off
12.	Male/Male Adaptor	41213	1 off
13.	Bonded Seal	41183	1 off
14.	Bonded Seal	41185	2 off
15.	Adaptor	41214	2 off
16.	Bonded Seal	41184	3 off
17.	Q.R.C. Carrier	41132	1 off
18.	Q.R.C. Probe	41131	1 off
19.	H.P. Feed Pipe	41182	1 off
20.	Nut	41126	1 off
21.	Adaptor	41214	1 off
22.	Circlip	41216	1 off
23.	Filter Spigot	41122	1 off
24.	Filter Can	41128	1 off
25.	Set Screw	41197	4 off
26.	Shakeproof Washer	41209	4 off
27.	Clamping Plate	41135	1 off
28.	T.v. Capsule	41120	1 off
29.	Washer	41138	1 off
30.	Gasket	41137	1 off

## COOLER ASSY

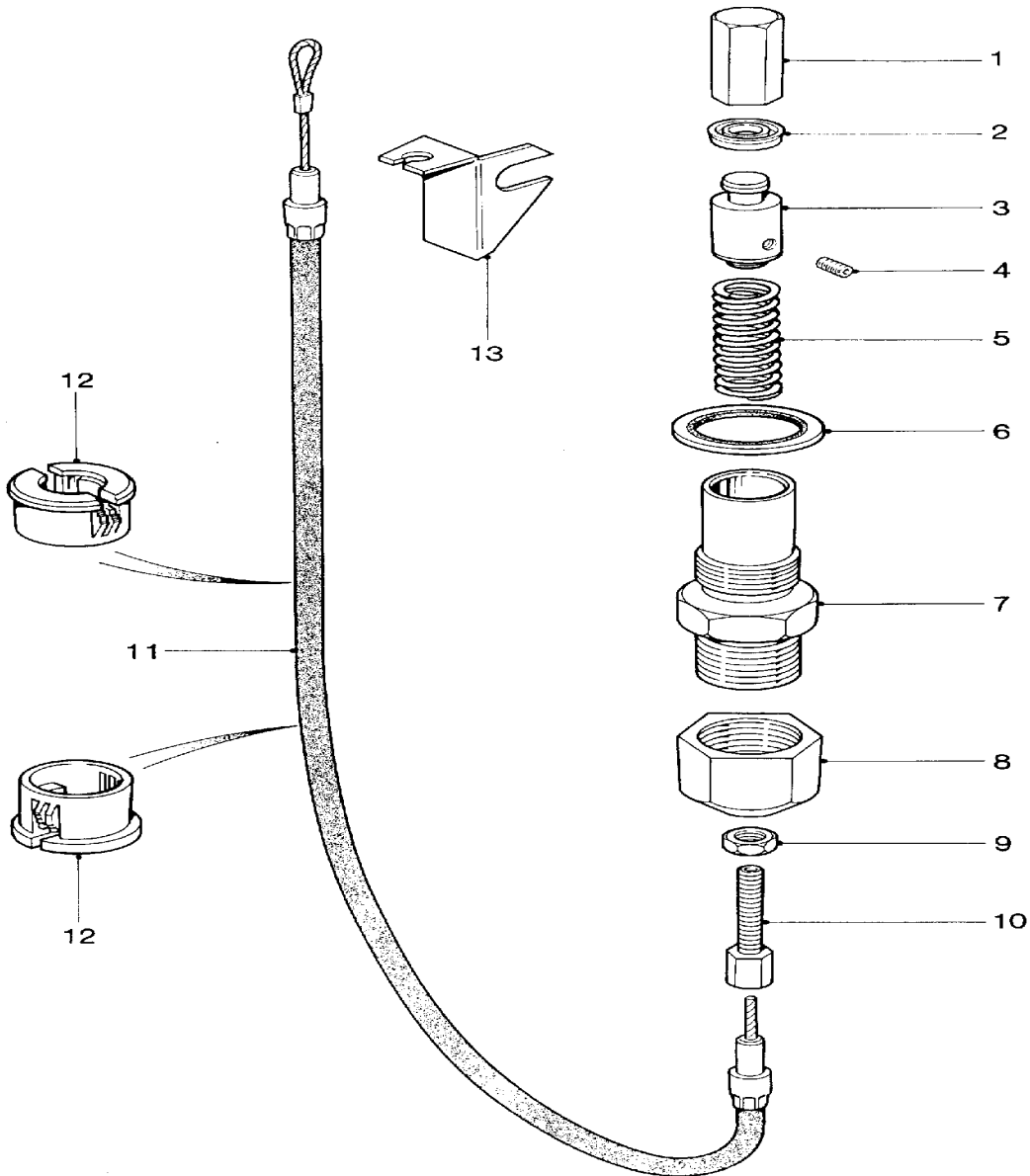


ITEM	DESCRIPTION	PART NO.	QTY
1.	Cooler	41163	1 off
2.	Cooler Guard	41168	1 off
3.	Nut	41191	6 off
4.	Washer	41203	8 off
5.	Set Screw	41195	6 off
6.	Cooler Return Pipe	41178	1 off
7.	Nut	41125	1 off
8.	Nut	41125	1 off
9.	Cooler feed Pipe	41179	1 off
10.	O Ring	41187	2 off
11.	Cap Screw	41192	1 off
12.	Washer	41204	1 off
13.	Set Screw	41194	2 off
14.	Shakeproof Washer	41207	2 off



ITEM	DESCRIPTION	PART NO.	QTY
1.	Engine Spacer	41181	1 off
2.	Grub Screw	41201	2 off
3.	Extension Shaft	41171	1 off
4.	Shakeproof Washer	41206	1 off
5.	Bolt	41221	1 off
6.	Fan	41160	1 off
7.	Grub Screw	41202	1 off
8.	Drive Coupling	41170	1 off
9.	Stud Coupling	41151	1 off
10.	Bonded Seal	41185	2 off
11.	Pump	41152	1 off
12.	Adaptor	41215	1 off
13.	Suction Hose Adaptor	41123	1 off
14.	Cap Screw	41193	4 off
15.	Shakeproof Washer	41208	4 off
16.	Nut	41190	3 off
17.	Washer	41204	3 off
18.	Pump Plate	41129	1 off
19.	Back-Up Ring	41124	2 off
20.	Jubilee clip	41212	2 off
21.	Suction Hose	41180	1 off
22.	Compact Elbow	41157	1 off
23.	Bolt	41174	4 off
24.	Shakeproof Washer	41208	4 off
25.	Key	41175	1 off
26.	Engine-Honda	41282	1 off
27.	Label-Speed Control Lever	41629	1 off

### P.O.D. ASSY



ITEM	DESCRIPTION	PART NO.	QTY
1.	Spacer	*41144	1 off
2.	'U' Ring	*41147	1 off
3.	Piston	*41143	1 off
4.	Grub Screw	*41199	1 off
5.	Spring	*41134	1 off
6.	Bonded Seal	*41185	1 off
7.	Body	*41142	1 off
8.	End Cap	*41145	1 off
9.	Nut	41189	1 off
10.	Adjuster	41146	1 off
11.	Cable Assy	41148	1 off
12.	Cable Clamp	41150	2 off
13.	Cable Support Bracket	41149	1 off

\*Sold as complete 41113 POD Assembly

# WARRANTY

Stanley Hydraulic Tools (hereinafter called "Stanley"), subject to the exceptions contained below, warrants new hydraulic tools for a period of one year from the date of sale to the first retail purchaser, or for a period of 2 years from the shipping date from Stanley, whichever period expires first, to be free of defects in material and/or workmanship at the time of delivery, and will, at its option, repair or replace any tool or part of a tool, or new part, which is found upon examination by a Stanley authorized service outlet or by Stanley's factory in Milwaukee, Oregon to be DEFECTIVE IN MATERIAL AND/OR WORKMANSHIP.

## EXCEPTIONS FROM WARRANTY

**NEW PARTS:** New parts which are obtained individually are warranted, subject to the exceptions herein, to be free of defects in material and/or workmanship at the time of delivery and for a period of 6 months after the date of first usage. Seals and diaphragms are warranted to be free of defects in material and/or workmanship at the time of delivery and for a period of 6 months after the date of first usage or 2 years after the date of delivery, whichever period expires first. Warranty for new parts is limited to replacement of defective parts only. Labor is not covered.

**FREIGHT COSTS:** Freight costs to return parts to Stanley, if requested by Stanley for the purpose of evaluating a warranty claim for warranty credit, are covered under this policy if the claimed part or parts are approved for warranty credit. Freight costs for any part or parts which are not approved for warranty credit will be the responsibility of the individual.

**SEALS & DIAPHRAGMS:** Seals and diaphragms installed in new tools are warranted to be free of defects in material and/or workmanship for a period of 6 months after the date of first usage, or for a period of 2 years from the shipping date from Stanley, whichever period expires first.

**CUTTING ACCESSORIES:** Cutting accessories such as breaker tool bits are warranted to be free of defects in material and or workmanship at the time of delivery only.

**ITEMS PRODUCED BY OTHER MANUFACTURERS:** Components which are not manufactured by Stanley and are warranted by their respective manufacturers.

- a. Costs incurred to remove a Stanley manufactured component in order to service an item manufactured by other manufacturers.

**ALTERATIONS & MODIFICATIONS:** Alterations or modifications to any tool or part. All obligations under this warranty shall be terminated if the new tool or part is altered or modified in any way.

**NORMAL WEAR:** any failure or performance deficiency attributable to normal wear and tear such as tool bushings, retaining pins, wear plates, bumpers, retaining rings and plugs, rubber bushings, recoil springs, etc.

**INCIDENTAL/CONSEQUENTIAL DAMAGES:** To the fullest extent permitted by applicable law, in no event will STANLEY be liable for any incidental, consequential or special damages and/or expenses.

**FREIGHT DAMAGE:** Damage caused by improper storage or freight handling.

**LOSS TIME:** Loss of operating time to the user while the tool(s) is out of service.

**IMPROPER OPERATION:** Any failure or performance deficiency attributable to a failure to follow the guidelines and/or procedures as outlined in the tool's operation and maintenance manual.

**MAINTENANCE:** Any failure or performance deficiency attributable to not maintaining the tool(s) in good operating condition as outlined in the Operation and Maintenance Manual.

**HYDRAULIC PRESSURE & FLOW, HEAT, TYPE OF FLUID:** Any failure or performance deficiency attributable to excess hydraulic pressure, excess hydraulic back-pressure, excess hydraulic flow, excessive heat, or incorrect hydraulic fluid.

**REPAIRS OR ALTERATIONS:** Any failure or performance deficiency attributable to repairs by anyone which in Stanley's sole judgement caused or contributed to the failure or deficiency.

**MIS-APPLICATION:** Any failure or performance deficiency attributable to mis-application. "Mis-application" is defined as usage of products for which they were not originally intended or usage of products in such a manner which exposes them to abuse or accident, without first obtaining the written consent of Stanley. PERMISSION TO APPLY ANY PRODUCT FOR WHICH IT WAS NOT ORIGINALLY INTENDED CAN ONLY BE OBTAINED FROM STANLEY ENGINEERING.

**WARRANTY REGISTRATION:** STANLEY ASSUMES NO LIABILITY FOR WARRANTY CLAIMS SUBMITTED FOR WHICH NO TOOL REGISTRATION IS ON RECORD. In the event a warranty claim is submitted and no tool registration is on record, no warranty credit will be issued without first receiving documentation which proves the sale of the tool or the tools' first date of usage. The term "DOCUMENTATION" as used in this paragraph is defined as a bill of sale, or letter of intent from the first retail customer. A WARRANTY REGISTRATION FORM THAT IS NOT ALSO ON RECORD WITH STANLEY WILL NOT BE ACCEPTED AS "DOCUMENTATION".

## NO ADDITIONAL WARRANTIES OR REPRESENTATIONS

This limited warranty and the obligation of Stanley thereunder is in lieu of all other warranties, expressed or implied including merchantability or fitness for a particular purpose except for that provided herein. There is no other warranty. This warranty gives the purchaser specific legal rights and other rights may be available which might vary depending upon applicable law.



**Stanley Hydraulic Tools** • 3810 S.E. Naef Road • Milwaukie, Oregon 97267-5698  
Phone: 503/659-5660 • Fax: 503/652-1780