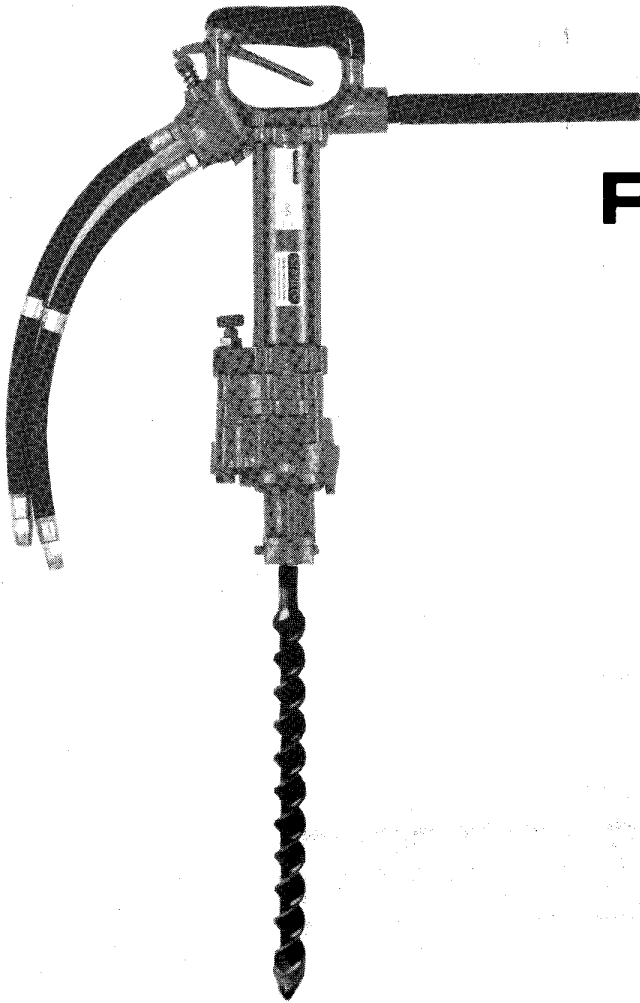


STANLEY
helps you do things right

Stanley Hydraulic Tools
Division of The Stanley Works
3810 S.E. Naef Road
Milwaukie, Oregon 97267
Phone: 503/659-5660
Telex: 360771



PARTS LIST

HD20

SPECIFICATIONS

Weight	28 lbs/12.7 kg
Pressure Range	1500-2000 psi/105-140 BAR
Flow Range	7-9 gpm/26-34 lpm
Optimum Flow	8 gpm/30 lpm
Porting	3/8 inch SAE
Hose Whips	3/8 SAE to 3/8 pipe
Overall Length	21 inches/53.3 cm
Overall Width	5 inches/12.7 cm
System Type	o.c. or c.c.

MODEL HD20

**HYDRAULIC
HAMMER
DRILL**

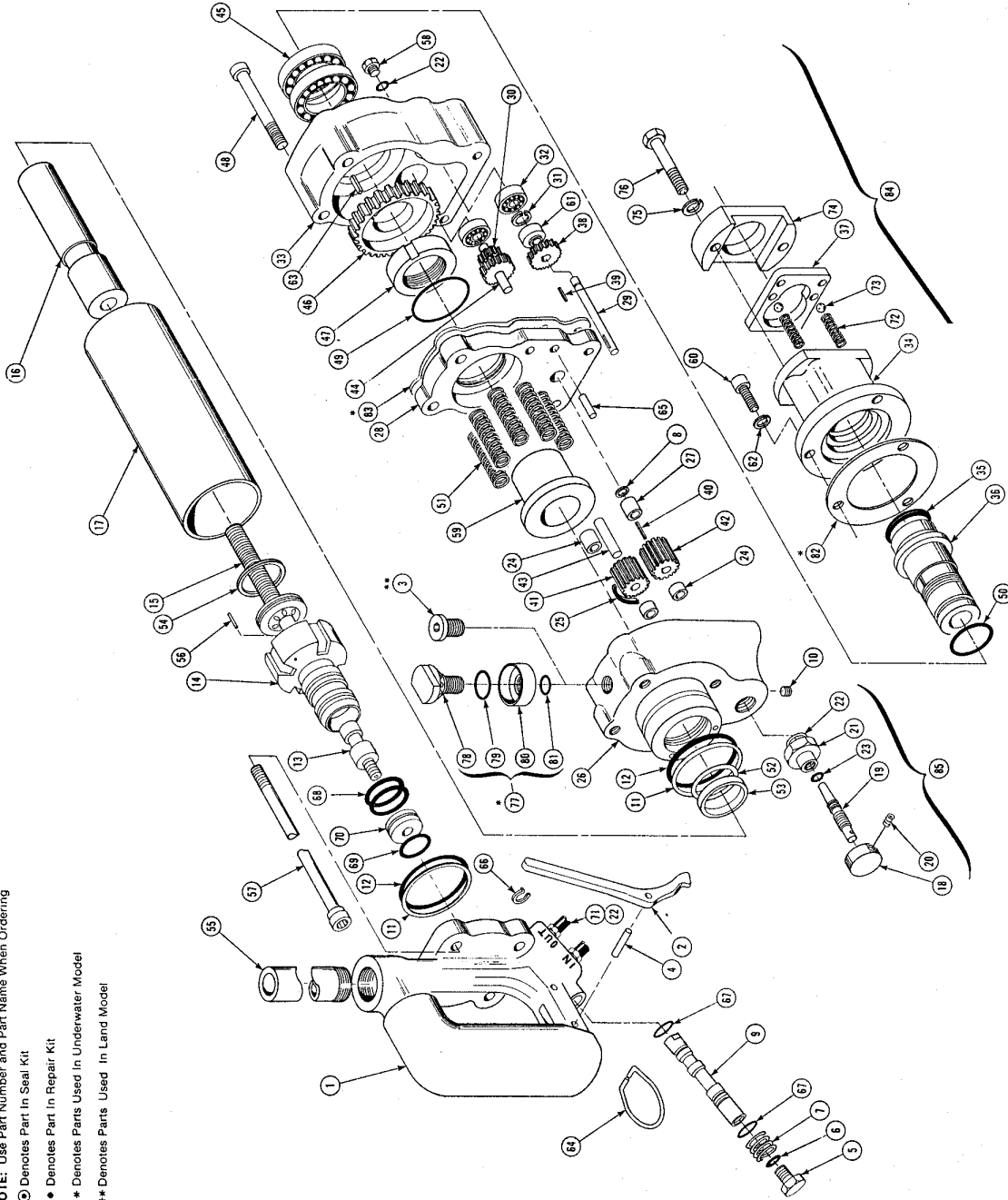
NOTE: Use Part Number and Part Name When Ordering

⊙ Denotes Part In Seal Kit

● Denotes Part In Repair Kit

* Denotes Parts Used In Underwater Model

** Denotes Parts Used In Land Model



Illus. Index No.	Part No.	Qty. Per Unit	PART NAME
1	04132	1	Handle Body Assy. (incl. Item 11, 12 & 67)
2	02853	1	Trigger
3	03709	1	Dowel Pin, 3/16 x 1-1/2
4	02898	1	Plug**
5	02959	1	Screw
6	02901	1	C-Ring, 0.239 x 0.367 x 0.064 ⊙
7	02846	1	Spring, On-Off
8	00014	1	Quad Ring, 5/16 x 7/16 x 1/16 ⊙
9	03361	1	Valve, On-Off, o.c.
10	03362	1	Valve Plug, 1/8-27 NPT
11	02885	2	Back-Up Ring ⊙
12	02177	2	O-Ring, 2-1/16 x 2-1/4 x 3/32 ⊙
13	02880	1	Reversing Spool
14	03253	1	Valve Body
15	03956	1	Oil Tube
16	03965	1	Piston
17	02869	1	Flow Sleeve Assembly
18	02856	1	Flow Control Handle
19	02857	1	Flow Control Spindle
20	02842	1	Flow Control Spring
21	02862	1	Flow Control Nut
22	01411	4	O-Ring, 0.468 x 0.624 x 0.078 ⊙
23	02669	3	O-Ring, 7/32 x 11/32 x 1/16 ⊙
24	00017	3	Bearing, Torrington #GB-55
25	00139	1	O-Ring, 1-7/16 x 1-9/16 x 1/16 ⊙
26	03733	1	Rear Bearing Retainer (Incl. 10 & 24)
27	02902	1	Bearing, Torrington #GB-59 OH
28	02865	1	Front Bearing Retainer
29	02867	1	Drive Shaft
30	02868	1	Retaining Ring, 5/16 External
31	00224	2	Bearing, 0.315 I.D. x 0.866 O.D.
32	00342	1	Gear Case
33	02866	1	Retaining Nose
34	04008	1	Quad Ring, 1-3/8 x 1-5/8 x 1/8 ⊙
35	00254	1	Drive Hex.*
36	05341	1	Retainer
37	04012	1	Key
38	02851	1	Idler Gear
39	02863	1	Motor Drive Gear
40	02864	1	Idler Shaft
41	00775	1	Lay Shaft
42	00763	1	Bearing, S.K.F. #6907 *
43	02844	1	Drive Hex Gear
44	02860	1	Nut
45	02904	2	Capscrew, 1/4-20 UNC x 2-3/4 Soc. Hd.
46	02858	1	O-Ring, 1-1/16 x 1-7/8 x 3/32 ⊙
47	02849	1	O-Ring, 1 x 1-1/4 x 1/8 ⊙
48	00718	6	Wiping Bead
49	02905	1	Wiper Ring ⊙
50	03634	8	Wiper Pin ⊙
51	02906	1	Rod Seal ⊙
52	02907	1	O-Ring, 1-1/2 x 1-5/8 x 1/16 ⊙
53	01259	1	Handle Tube
54	02864	1	Pin, 3/32 x 1.484 *
55	02843	1	Bolt Assembly *
56	02848	4	Plug, 3/8 SAE Straight Thd. O-Ring Boss
57	01671	1	Piston Stop
58	02867	1	Capscrew, 1/4-20 x 1 Soc. Hd.
59	01521	3	Spacer
60	02850	3	Lockwasher, 1/4 Ht. Collar
61	02852	1	Key, 1/8 x 1/8 x 3/8 *
62	00653	1	Wire Lock *
63	02867	1	Dowel Pin, 3/16 x 1
64	00024	2	Retaining Ring *
65	00752	2	O-Ring, 7/16 x 9/16 x 1/16 ⊙
66	03252	2	O-Ring, 1 x 1-1/8 x 1/16 ⊙
67	00211	2	O-Ring, 3/4 x 7/8 x 1/16 (90 D) ⊙
68	01772	1	Valve Gland *
69	02254	1	Hose Whips (Incl 22)
70	01412	2	

Illus. Index No.	Part No.	Qty. Per Unit	PART NAME
72	03190	2	Spring
73	02436	2	Steel Ball
74	04010	1	Retaining Cap
75	03031	2	Lockwasher, 5/16
76	02665	2	Capscrew, 5/16-18 x 2 Hex Hd.
77	03352	1	Check Valve Assy. (Incl. Items 78-81)
78	03362	1	Check Valve Plug
79	03351	1	O-Ring, 5/8 x 7/8 x 1/8 ⊙
80	03363	1	Check Valve Cup
81	03364	1	O-Ring, 0.414 x 0.558 x 0.072 ⊙
82	03360	1	Gasket, Retaining Nose ⊙
83	03359	1	Gasket, Gear Case ⊙
84	04013	1	Retaining Nose Assembly - (Incl. Items 34, 37 and 72-76)
85	03306	1	Flow Control Assy. (Incl. Items 18-23)

REPAIR AND SEAL KIT DATA

Part No.	Qty.	Description
Repair Kit Part No. 03531 (Land Model)		
00752	1	Retaining Ring
02848	2	Bolt Assembly
02843	1	Pin
03254	1	Valve Gland
02904	2	Bearing
00653	1	Key, 1/8 x 1/8 x 3/8
02884	1	Drive Hex
03208	1	Seal Kit (Land)

Part No.	Qty.	Description
Repair Kit Part No. 03846 (Underwater Model)		
00752	1	Retaining Ring
02848	2	Bolt Assembly
02843	1	Pin
03254	1	Valve Gland
02904	2	Bearing
00653	1	Key, 1/8 x 1/8 x 3/8
03341	1	Drive Hex
03845	1	Seal Kit (Underwater)

Part No.	Qty.	Description
Seal Kit Part No. 03208 (Land Model)		
00834	1	O-Ring
02905	1	O-Ring
02903	1	O-Ring
00014	1	Quad Ring
00139	1	O-Ring
02689	1	O-Ring
01411	1	O-Ring
02865	2	Back Up Ring
02177	2	O-Ring
02906	1	Wiper Ring
02907	1	Rod Seal
01259	1	O-Ring
02901	1	O-Ring
03252	2	O-Ring
00211	2	O-Ring
01772	1	O-Ring
00254	1	Quad Ring

NOTE: Seal Kit Included in Repair Kit

Part No.	Qty.	Description
Seal Kit Part No. 03845 (Underwater Model)		
00834	1	O-Ring
02905	1	O-Ring
02903	1	O-Ring
00014	1	Quad Ring
00139	1	O-Ring
02689	1	O-Ring
01411	4	O-Ring
02865	2	Back Up Ring
02177	2	O-Ring
02906	1	Wiper Ring
02907	1	Rod Seal
01259	1	O-Ring
02901	1	O-Ring
03252	2	O-Ring
00254	1	Quad Ring
01679	1	O-Ring
03360	1	Gasket, Ret. Cap
03359	1	Gasket, Gear Case
03351	1	O-Ring
03364	1	O-Ring
00211	2	O-Ring
01772	1	O-Ring

NOTE: Seal Kit Included in Repair Kit



Stanley Hydraulic Tools

Division of The Stanley Works
3810 S.E. Naef Road
Milwaukie, Oregon 97267
Phone: 503/659-5660
Telex: 360771