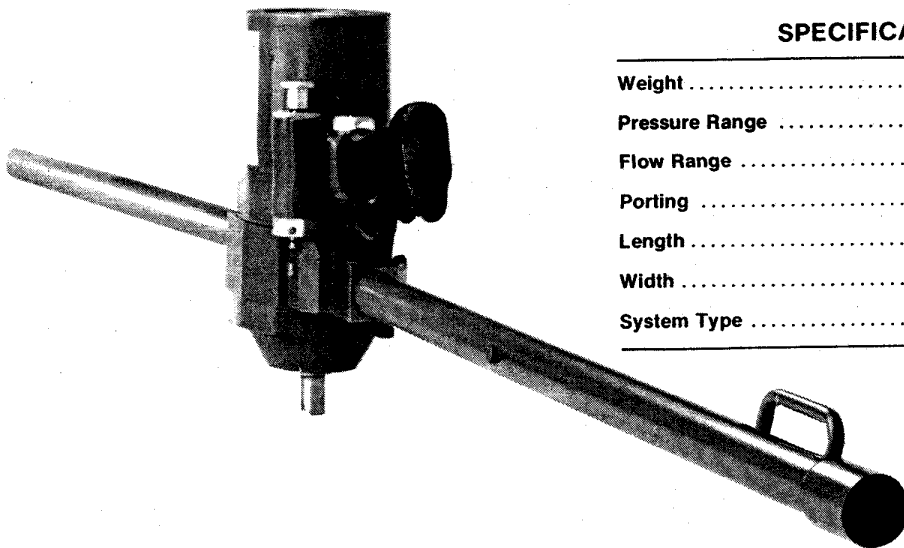


STANLEY
helps you do things right

Stanley Hydraulic Tools
Division of The Stanley Works
3810 S.E. Naef Road
Milwaukie, Oregon 97222
Phone: 503/659-5660
Telex: 360771

PARTS LIST

DL44

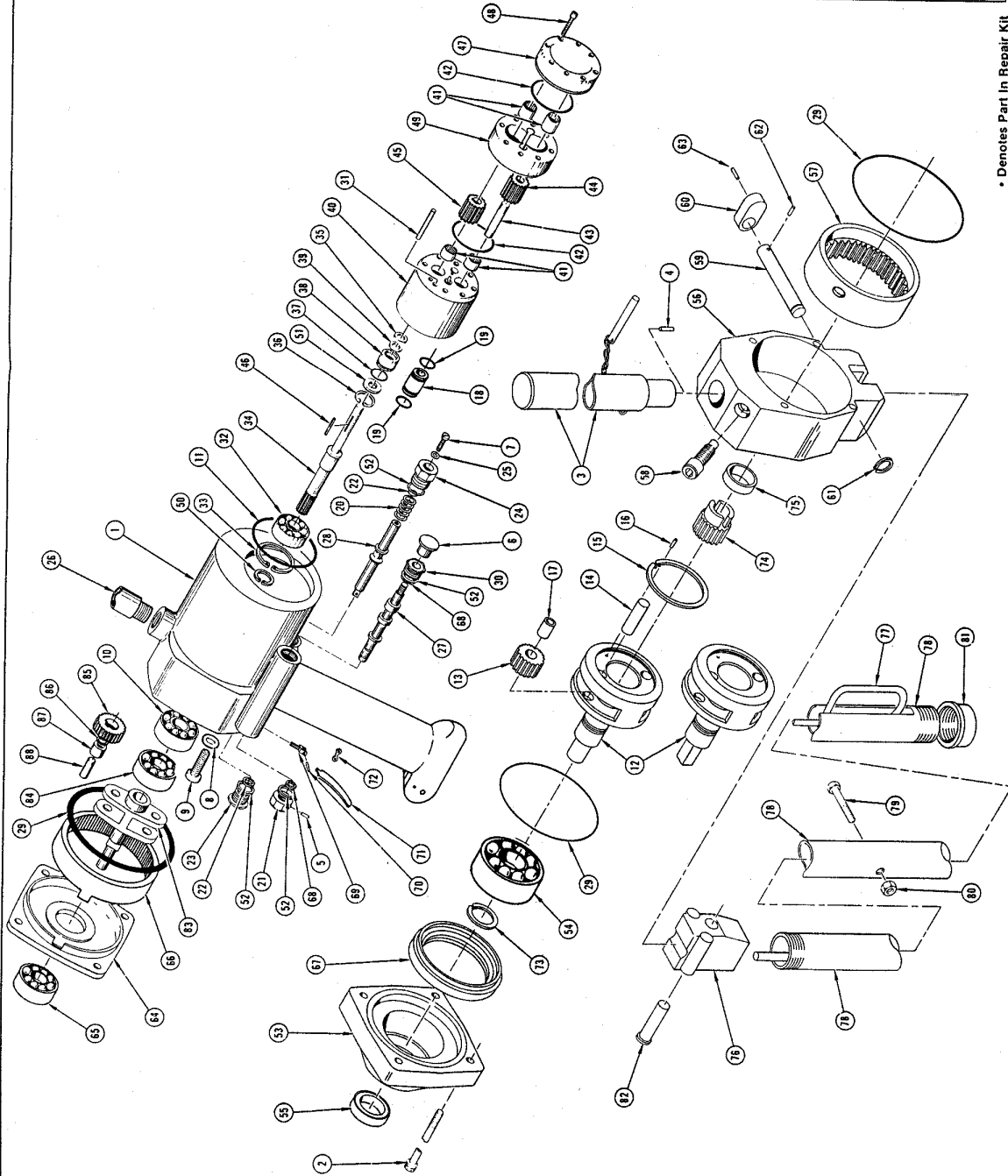


SPECIFICATIONS

Weight	41 lbs/18.7 kg
Pressure Range	500-2000 psi/35-140 BAR
Flow Range	3-10 gpm/11-38 lpm
Porting	3/8 pipe
Length	11.5 in/29 cm
Width	4.75 in/12 cm
System Type	O.C.

MODEL DL44

**HYDRAULIC
DRILL**



Illus. Index No.	Part No.	Qty. Per Unit	PART NAME
1	01482	1	Motor Housing Assembly
2	04156	4	Capscrew, 5/16-18 x 4 Hex Hd.
3	04077	1	Dead Handle Assembly (Incl. Item 4)
4	00087	1	Detent Ball and Screw
5	00083	1	Detent Spring
6	00100	1	Reversing Control Knob
7	00223	1	Screw, 10-24 x 1/4
8	00145	1	Lockwasher, 5/16
9	00146	2	Capscrew, 5/16-18 x 1-3/4
10	00148	1	Bearing *
11	00149	1	C-Ring, 3-1/4 x 3-3/8 x 1/16 ⊕
12	04604	1	Planet Gear Frame Assembly - 3/4 Sq. Drive (Incl. Items 12 thru 17)
13	04161	1	Planet Gear Frame Assembly - 3/4 Sq. Drive (Incl. Items 12 thru 17)
14	04603	1	Planet Gear Frame - 3/4 Sq. Drive
15	04162	2	Planet Gear
16	04164	1	Planet Gear Shaft
17	00757	1	Retaining Ring, 2-3/4 Int.
18	04174	2	Roll Pin, 1/8 x 3/4
19	00174	2	Bearing
20	00200	4	Oil Tube
21	00210	1	C-Ring, 1/2 x 5/8 x 1/16 ⊕
22	00014	1	Spring Seal Cap
23	00126	2	Cradle Ring, 5/16 x 7/16 x 1/16 ⊕
24	00217	1	Seal Cap
25	00222	1	Spring and Seal Cap
26	00234	1	Stop Washer, #10 L
27	00213	1	Handle Cross
28	01285	1	Rev. Valve and Roll Pin Assembly
29	01286	1	Spool
30	02688	3	C-Ring, 4-1/4 x 4-3/8 x 1/16 ⊕
31	00148	1	Seal Cap
32	00166	1	Hydraulic Motor (Incl. Items 31 thru 51)
33	00168	2	Detent Pin, 1/4 x 1-1/4
34	00168	1	Retaining Ring, 1.850 Int. *
35	00169	1	Motor Shaft
36	00170	1	Seal Liner Washer *
37	00171	1	Retaining Ring, 15/16 Int. *
38	00172	1	C-Ring, 11/16 x 13/16 x 1/16 ⊕
39	00173	1	Seal Liner ⊕
40	03402	2	Cradle Ring, 3/8 x 1/2 x 1/16 ⊕
41	00177	1	Front Bearing Housing Assembly (Incl. Item 41)
42	00178	1	Seal Ring
43	00203	1	O-Ring, 2-1/8 x 2-1/4 x 1/16 ⊕
44	00204	1	Idle Shaft
45	02005	1	Gear
46	00673	1	Gear w/Keyway
47	03405	1	Key, 1/8 x 1/2
48	00208	1	Rear Bearing Retainer Assembly (Incl. Item 41)
49	02218	8	Capscrew, 1/4-20 x 1-3/4
50	01286	1	Gear Housing
51	01286	1	Retainer Ring, 43/64 Ext. *
52	00231	4	Oil Washer ⊕
53	04153	1	Oil Washer, 1-1/8 x 1-1/8 x 1/16 ⊕
54	04157	1	Bearing
55	01937	1	Oil Seal, 1-1/8 x 1-9/16 x 3/8 Shaft Seal ⊕
56	04511	1	Ring Gear Carrier Assembly (Incl. Items 56 thru 63)
57	04508	1	Ring Gear Carrier
58	04171	1	Ring Gear
59	04172	2	Ring Gear Retainer
60	04476	1	Lock Pin
61	04512	1	Retaining Ring, 1/2 Ext.
62	00757	1	Roll Pin, 1/8 x 3/4
63	00083	1	Detent Ball and Screw *

NOTE Use Part Number and Part Name When Ordering

* Denotes Part in Repair Kit
 ⊕ Denotes Part in Seal Kit

Illus. Index No.	Part No.	Qty. Per Unit	PART NAME
64	06058	1	Cover
65	06067	1	Bearing
66	06056	1	Int. Gear
67	04165	1	Thrust Ring
68	00214	2	Quad Ring, 7/16 x 9/16 x 1/16 ⊙
69	00616	1	Trigger Hinge
70	00072	1	Rcll Pin, 1/8 x 3/8 •
71	00070	1	Trigger
72	00113	1	Trigger Link •
N.I.	04158	1	Name Tag - DL44
N.I.	03788	1	GPM Sticker, 4-12, 2000 PSI
N.I.	00961	1	Pipe Plug, 1/8 NPT
73	04166	1	Retaining Ring, 1-3/16 Ext.
	04806	1	Gear Assy. Incl. item 74 & 75
74	04167	1	Sun Gear
75	04168	1	Safety Ring
	04501	1	Extended Trigger Handle Assembly (Incl. Items 76 thru 82)
76	04493	1	Handle Block Assembly
77	04497	1	Trigger Assembly
78	04498	1	Handle
79	03907	1	Capscrew, 1/4-20 x 1-1/2 Hex. Hd.
80	00038	1	Nut, 1/4-20
81	04500	1	Pipe Cap, 1 In. Std. Pipe
82	04499	1	Pusher Pin
	06052	1	Gear Frame Assembly (Incl. Items 83 thru 88)
83	06146	1	Gear Frame
84	06112	1	Bearing
85	06053	2	Planet Gear
86	06050	4	Plate, Roller Retainer
87	06049	50	Roller, Planet Bearing
88	06055	2	Planet Gear Shaft

REPAIR AND SEAL KIT DATA

NOTE: Seal Kit Included In Repair Kit

Part No.	Qty.	Description
Repair Kit No. 04515		
04166	1	Retaining Ring, 1-3/16 Ext.
00006	1	Spring
00616	1	Trigger Hinge
00072	1	Roll Pin
00083	1	Detent Ball and Screw
00113	1	Trigger Link
00148	2	Bearing
00166	1	Retaining Ring
00169	1	Seal Liner Washer
00170	1	Retaining Ring
00708	1	Retainer Ring
00673	1	Key, 1/8 x 1/2

Part No.	Qty.	Description
Seal Kit No. 04514		
00149	1	O-Ring
01265	3	O-Ring
01937	1	Oil Seal
00211	4	O-Ring
00214	2	Quad Ring
00014	2	Quad Ring
00175	4	O-Ring
00171	1	O-Ring
00172	1	Seal Liner
00173	1	Quad Ring
00178	2	O-Ring
01203	1	Seal Washer

STANLEY
helps you do things right

Stanley Hydraulic Tools

Division of The Stanley Works
3810 S.E. Naef Road
Milwaukie, Oregon 97222
Phone: 503/659-5660
Telex: 360771