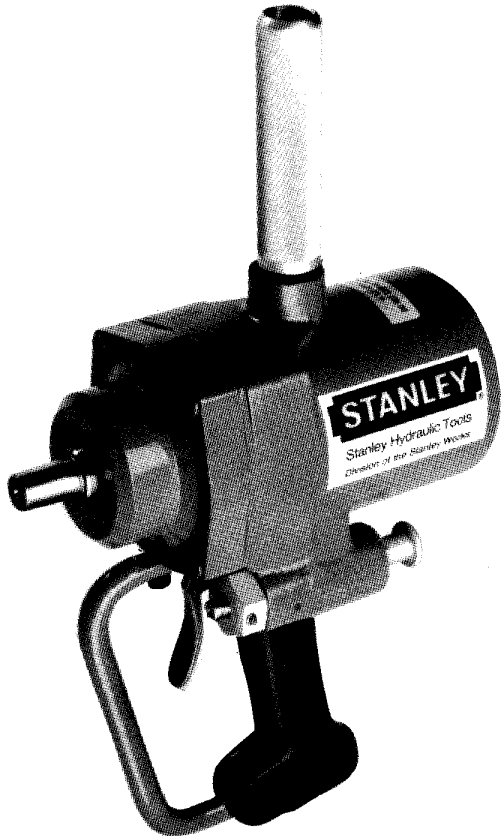


STANLEY
helps you do things right

Stanley Hydraulic Tools
Division of The Stanley Works
3810 S.E. Naef Road
Milwaukie, Oregon 97267
Phone: 503/659-5660
Telex: 360771



PARTS LIST

DL22

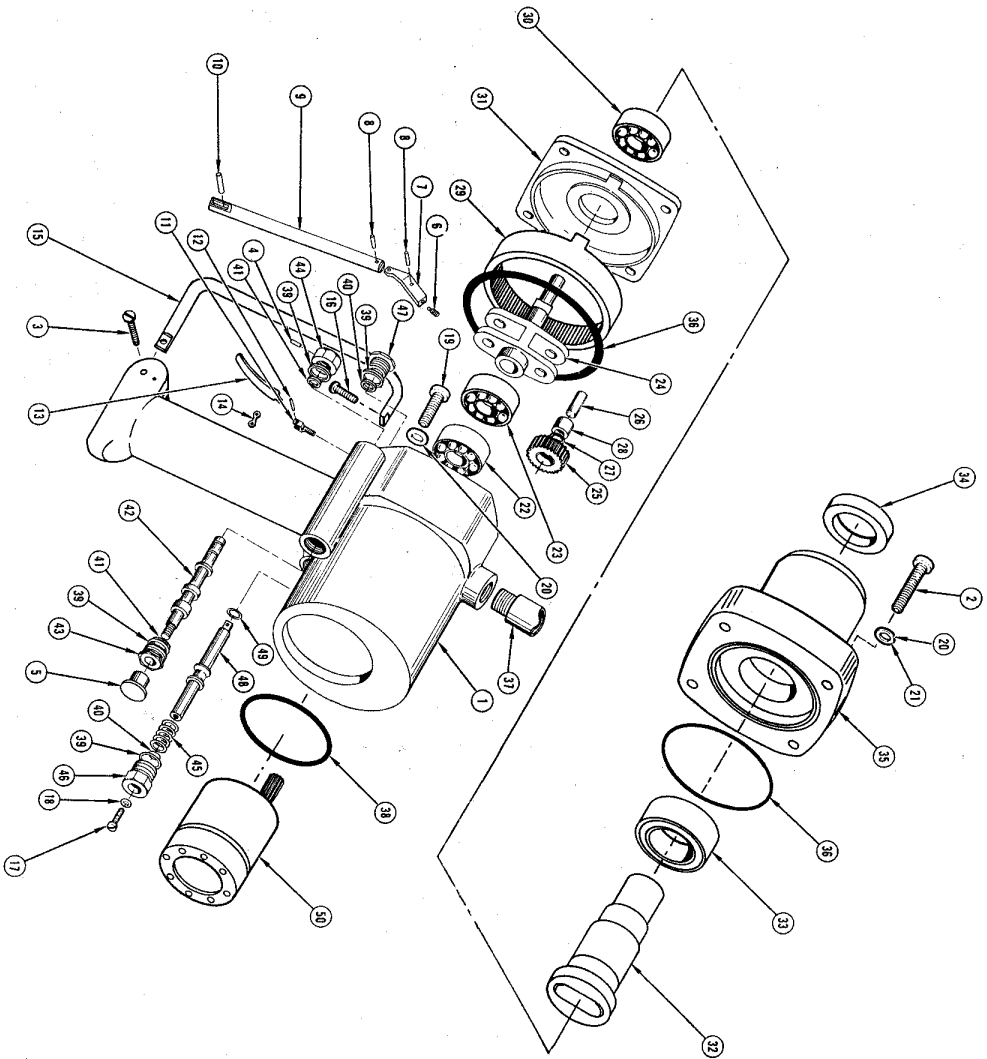
SPECIFICATIONS

Weight	20 lbs/9.1 kg
Pressure Range	500-2000 psi/35-140 BAR
Flow Range	3-10 gpm/11-38 lpm
Porting	3/8 pipe
Length	9 in/23 cm
Width	4.75 in/12 cm
System Type	o.c. or c.c.

U.S. Patent Numbers 3 421 412, 3 330 302, 3 350 985

MODEL DL22

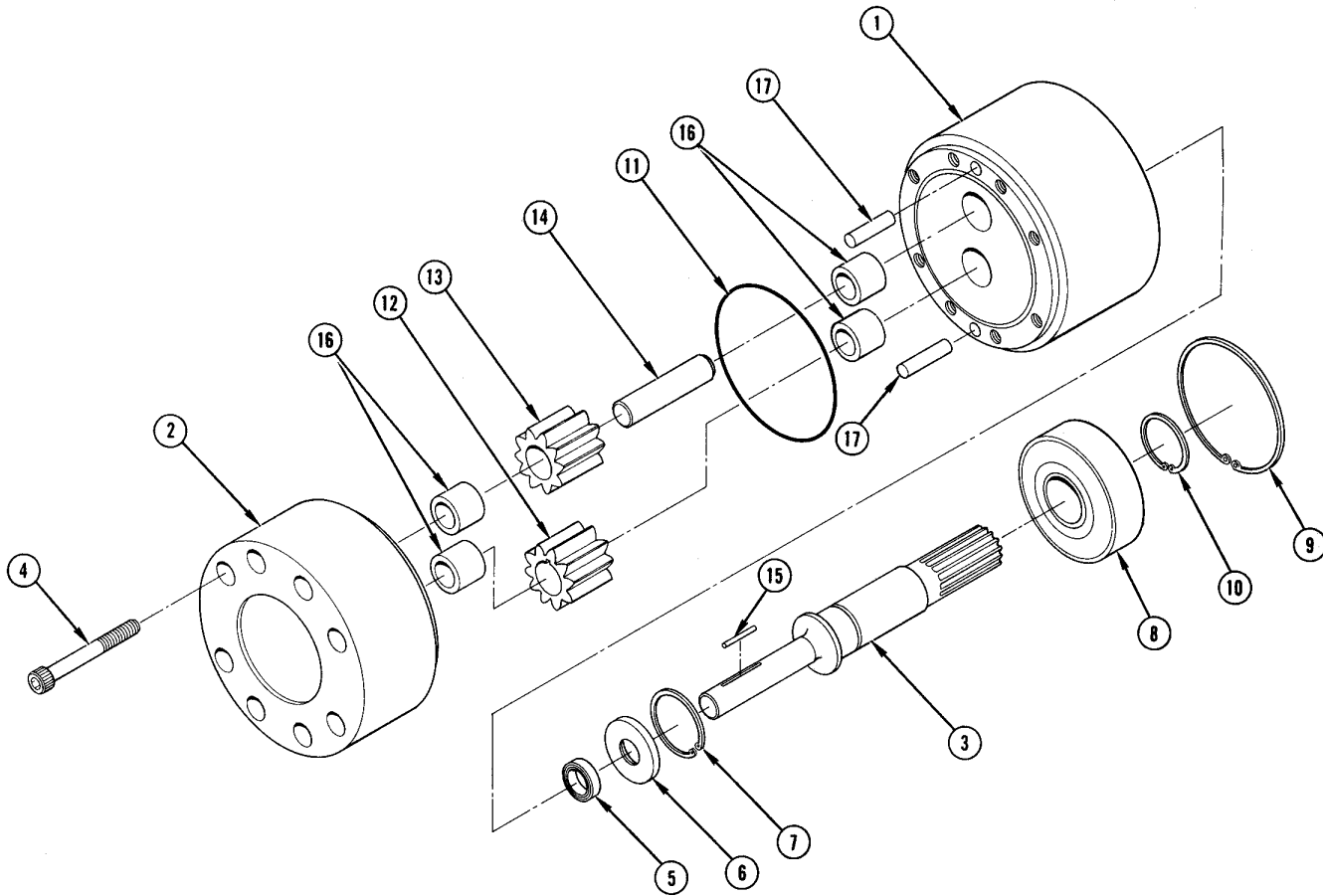
**HYDRAULIC
DRILL**



Illus. Index No.	Part No.	Land	U/W	Qty. Per Unit	PART NAME
1	01482	01482		1	Motor Housing Assembly, o.c.
2	01389	01389		1	Motor Housing Assembly, c.c.
3	00144	00230		4	Cap Screw, 5/16-18 x 1-1/4
4	00165	00094		1	Screw, 1/4-20 x 1
5	00083	00097		1	Detent Ball and Screw
6	00100	00100		1	Reversing Control Knob
7		00911		1	Trigger Hinge
8		00913		1	Upper Trigger
9		00914		2	Roll Pin, 1/8 x 1/2
10		00912		1	Roll Pin, 5/32 x 1
11	00616	00129		1	Trigger Hinge
12	00072			1	Roll Pin
13	00070			1	Roll Pin
14	00113			1	Trigger Link
15	04017	04017		1	Trigger Guard
16	02885	02784		1	Cat Screw, 5/16-18 x 7/8
17	00223	00134		1	STOP Screw, 10-24 x 1/4
18	00146	00146		2	Lock Washer, 5/16
19	00145	00145		6	Lockwasher, 5/16
20		00145		2	Lockwasher, 5/16
21	00148	00231		4	Bearing
22	06052	06052		1	Gear and Frame Assembly - Incl. Items 23-28
23	06112	06112		1	Bearing
24	06146	06146		1	Planet Gear
25	06055	06055		2	Planet Frame
26	06055	06055		2	Planet Gear
27	06049	06049		2	Roller Retainer Shaft
28	06049	06049		50	Roller Retainer Plate
29	06056	06056		1	Internal Gear
30	06057	06057		1	Bearing
31	06058	04129		1	Housing Cover
32	04018	04130		1	Output Shaft
33	01936	01936		1	Bearing
34	01937	01937		1	Oil Seal
35	01935	01935		1	Nose Housing
36	01285	01285		2	Handle
37	01285	01285		1	Handle
38	00146	00146		4	Lock Washer, 5/16
39	00211	00211		1	O-Ring, 1 x 1-1/8 x 1/16
40	00014	00214		2	Quad Ring, 5/16 x 7/16 x 1/16
41	00214	00214		2	Quad Ring, 5/16 x 9/16 x 1/16
42	00213	00238		1	Reversing Spool
43	00215	00215		1	Spool Cap
44	00210	00210		1	Detent Seal Cap
45	00096	00209		1	Spring
46	00096	00209		1	Spring Cap, o.c.
47	00503	00221		1	Spool Cap, c.c.
48	00126	00215		1	Valve Spool, o.c.
49	00225	00244		1	Valve Spool, c.c.
50	00224	00224		1	Retaining Ring, c.c., 5/16 Ext. Motor Assembly

* Denotes Part in Seal Kit
 © Denotes Part in Repair Kit
 o.c. Open Center
 c.c. Closed Center
 U/W Underwater Models
 NOTE: Use Part Number and Part Name When Ordering.

HYDRAULIC MOTOR ASSEMBLY 06863



Illus. Index No.	Part No.	Part No.	Qty. Per Unit	PART NAME
	Land	U/W		
1	06860		1	Front Bearing Housing Assembly
2	06861		1	Rear Gear Housing Assembly
3	06862		1	Motor Shaft
4	00494		8	Capscrew, 1/4-20 x 2 HSH
5	06315		1	Seal
6	06304		1	Seal Washer
7	00170		1	Retaining Ring
8	00148		1	Bearing
9	00166		1	Retaining Ring
10	00708		1	Retaining Ring
11	00178		1	O-Ring
12	06838		1	Drive Gear
13	06839		1	Idler Gear
14	06840		1	Idler Shaft
15	03231		1	Needle Roller, Torr. No. Q8292
16	06316		4	Bushing
17	00713		2	Pin

REPAIR AND SEAL KIT DATA

For Drills with Motor Part No. 06863

Part No.	Part No.	Qty.	Description
Land	U/W		
Seal Kit Part No. 10348			
00178		1	O-Ring
06315		1	Shaft Seal
00149		1	O-Ring
01265		2	O-Ring
01937		1	Shaft Seal
00211		4	O-Ring
00214		2	Quad Ring
00014		2	Quad Ring
00175		4	O-Ring

No repair kit for 06863 Motor

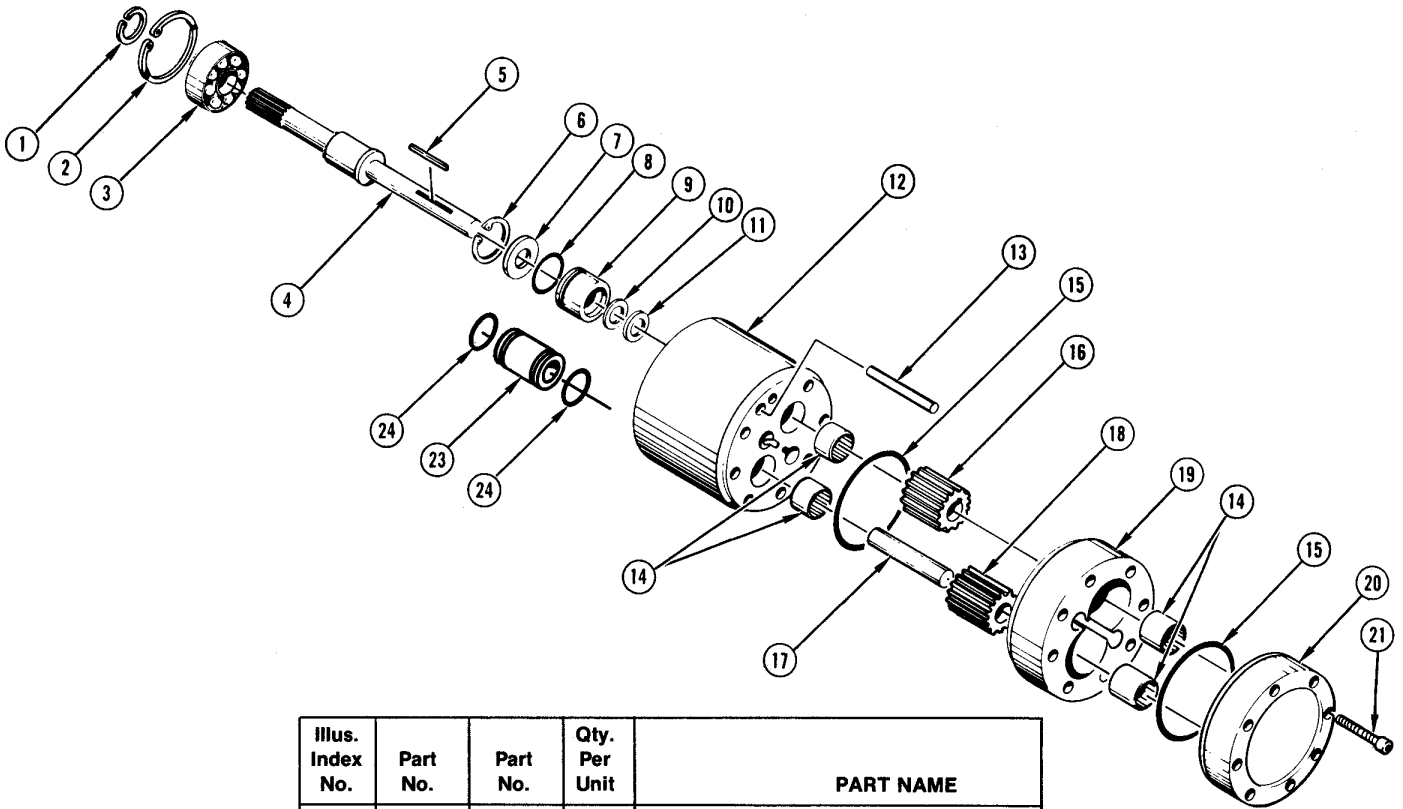
For Drills with Motor Part No. 02988 and 02989

Part No.	Part No.	Qty	Description
Land	U/W		
Seal Kit Part No. 04587 (Land Models)			
Seal Kit Part No. 04589 (Underwater Models)			
00149	00149	1	O-Ring
01265	01265	2	O-Ring
01937	01937	1	Shaft Seal
00211	00211	4	O-Ring
00214		2	Quad Ring
	00214	4	Quad Ring
00014		2	Quad Ring
00175	00175	4	O-Ring
00171	00171	1	O-Ring
00172	00172	1	Seal Liner
00173	00173	1	Quad Ring
00178	00178	2	O-Ring
01203	01203	1	Washer

Part No.	Part No.	Qty.	Description
Land	U/W		
Repair Kit Part No. 04588 (Land Models)			
Repair Kit Part No. 04590 (Underwater Models)			
	00128	2	Roll Pin
00072	00129	1	Roll Pin
00148	00148	2	Bearing
00166	00166	1	Retaining Ring
00169	00169	1	Washer
00170	00170	1	Retaining Ring
00006	00209	1	Spring
00708	00708	1	Retaining Ring
00616	00911	1	Trigger Hinge
00673	00673	1	Key
00083	00097	1	Detent
00113		1	Trigger Link
04587	04589	1	Seal Kit

NOTE: Seal Kit Included In Repair Kit.

HYDRAULIC MOTOR ASSEMBLY 02988/02989



Illus. Index No.	Part No.	Part No.	Qty. Per Unit	PART NAME
	Land	U/W		
1	00708	00708	1	Retaining Ring, 43/64 Ext. •
2	00166	00166	1	Retaining Ring, 1.850 Int. •
3	00148	00148	1	Ball Bearing
4	00168	00168	1	Shaft
5	00673	00673	1	Key •
6	00170	00170	1	Retaining Ring, 15/16 Int. •
7	01203	01203	1	Washer ●
8	00171	00171	1	O-Ring, 11/16 x 13/16 x 1/16 ●
9	00172	00172	1	Seal Liner ●
10	00173	00173	1	Quad Ring, 3/8 x 1/2 x 1/16 ●
11	00169	00169	1	Washer •
12	03402	03402	1	Front Bearing Retainer — Incl. Item 14
13	00066	00066	2	Dowel Pin, 1/4 x 1-1/4
14	00177	00177	4	Needle Bearing
15	00178	00178	2	O-Ring, 2-1/8 x 2-1/4 x 1/16
16	00205	00205	1	Drive Gear
17	00203	00203	1	Idler Shaft
18	00204	00204	1	Idler Gear
19	00218	00218	1	Gear Chamber
20	03405	03405	1	Rear Bearing Retainer — Incl. Item 14
21	00208	00238	8	Capscrew, 1/4-20 x 1-3/4 Hex Soc.Hd.
22	00961	00961	1	Pipe Plug, 1/8 NPT (Not Illus.)
23	00174	00174	2	Oil Tube
24	00175	00175	4	O-Ring ●

• Denotes Part in Repair Kit

● Denotes Part in Seal Kit

STANLEY
 helps you do things right

Stanley Hydraulic Tools

Division of The Stanley Works
 3810 S.E. Naef Road
 Milwaukie, Oregon 97267
 Phone: 503/659-5660
 Telex: 360771