

**STANLEY**<sup>®</sup>

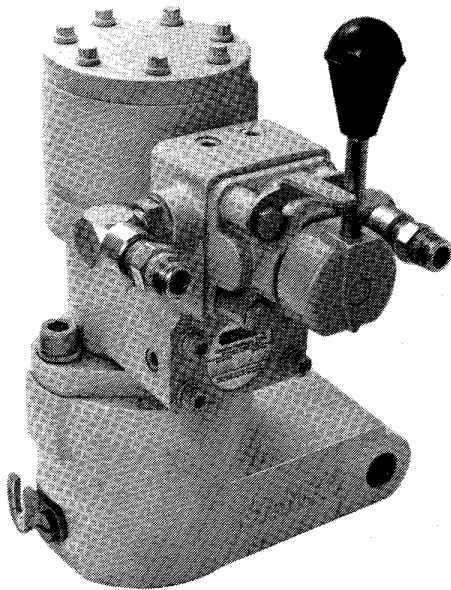
helps you do things right

**Stanley Hydraulic Tools**

Division of The Stanley Works  
3810 S.E. Naef Road  
Milwaukie, Oregon 97222  
Phone: 503/659-5660  
Telex: 360771

# PARTS LIST

**DH05**

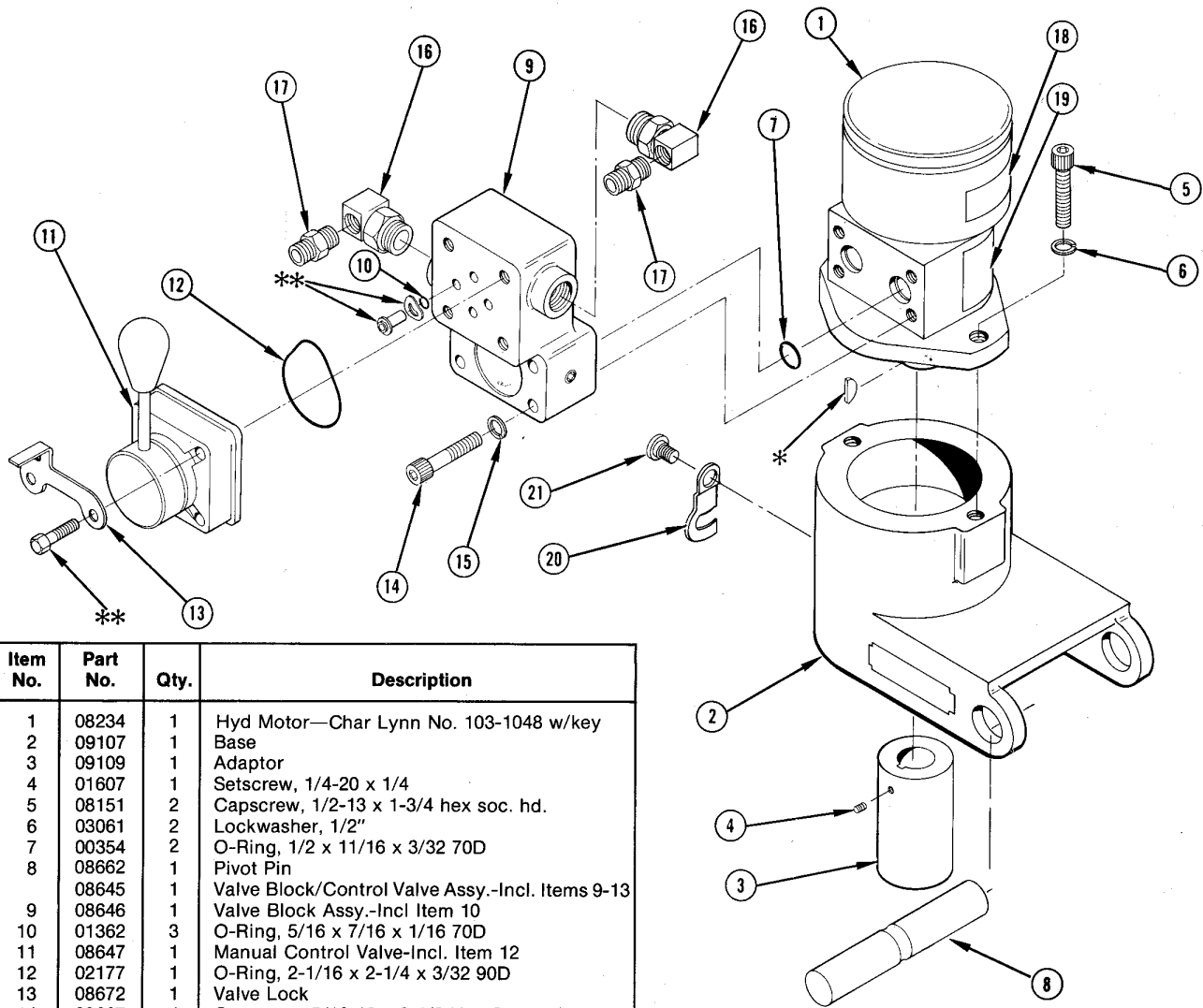


### SPECIFICATIONS

Weight .....	30 lbs/14 kg
Length .....	8 in/20 cm
Width .....	5 in/13 cm
Height .....	12 in/30 cm
Flow Range .....	7-9 gpm/26-34 lpm
Pressure Range .....	1500-2000 psi/105-140 bar
Connect Size & Type .....	3/8 male pipe
System Type .....	o.c.

**MODEL DH05**

**HYDRAULIC  
DRIVE HEAD**



Item No.	Part No.	Qty.	Description
1	08234	1	Hyd Motor—Char Lynn No. 103-1048 w/key
2	09107	1	Base
3	09109	1	Adaptor
4	01607	1	Setscrew, 1/4-20 x 1/4
5	08151	2	Capscrew, 1/2-13 x 1-3/4 hex soc. hd.
6	03061	2	Lockwasher, 1/2"
7	00354	2	O-Ring, 1/2 x 11/16 x 3/32 70D
8	08662	1	Pivot Pin
	08645	1	Valve Block/Control Valve Assy.-Incl. Items 9-13
9	08646	1	Valve Block Assy.-Incl Item 10
10	01362	3	O-Ring, 5/16 x 7/16 x 1/16 70D
11	08647	1	Manual Control Valve-Incl. Item 12
12	02177	1	O-Ring, 2-1/16 x 2-1/4 x 3/32 90D
13	08672	1	Valve Lock
14	00667	4	Capscrew, 5/16-18 x 2-1/2 Hex Soc. Hd.
15	03031	4	Lockwasher, 5/16
16	08651	2	Adaptor 90°-1/2 SAE 3/8 Pipe Female
17	05182	2	Hex Nipple, 3/8 NPT
18	03786	1	GPM Sticker - 7-9, 2000 psi
19	05152	1	Stanley Sticker
20	09106	1	Swing Latch
21	09112	1	Swing Latch Screw

**NOTE:** Use part number and part name when ordering.

\* Supplied as part of item 1.

\* Supplied as part of item 11.

**STANLEY**  
helps you do things right

**Stanley Hydraulic Tools**

Division of The Stanley Works  
3810 S.E. Naef Road  
Milwaukie, Oregon 97222  
Phone: 503/659-5660  
Telex: 360771