

STANLEY

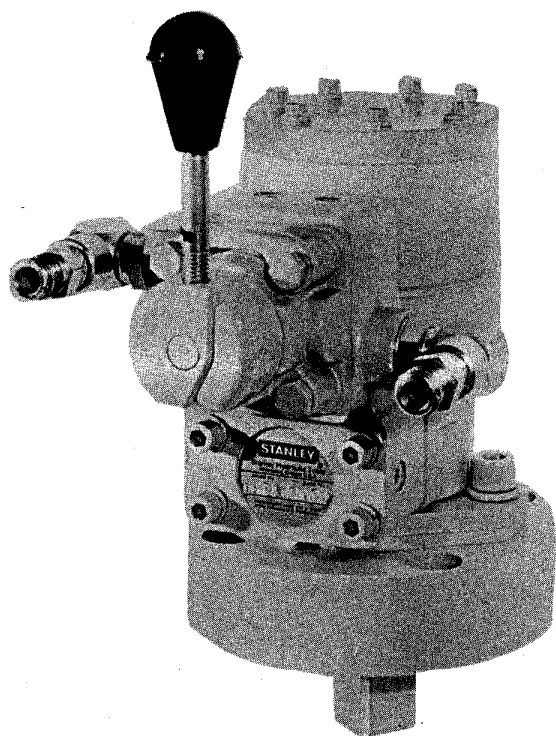
helps you do things right

Stanley Hydraulic Tools

Division of The Stanley Works
3810 S.E. Naef Road
Milwaukie, Oregon 97267
Phone: 503/659-5660
Telex: 360771

PARTS LIST

DH03

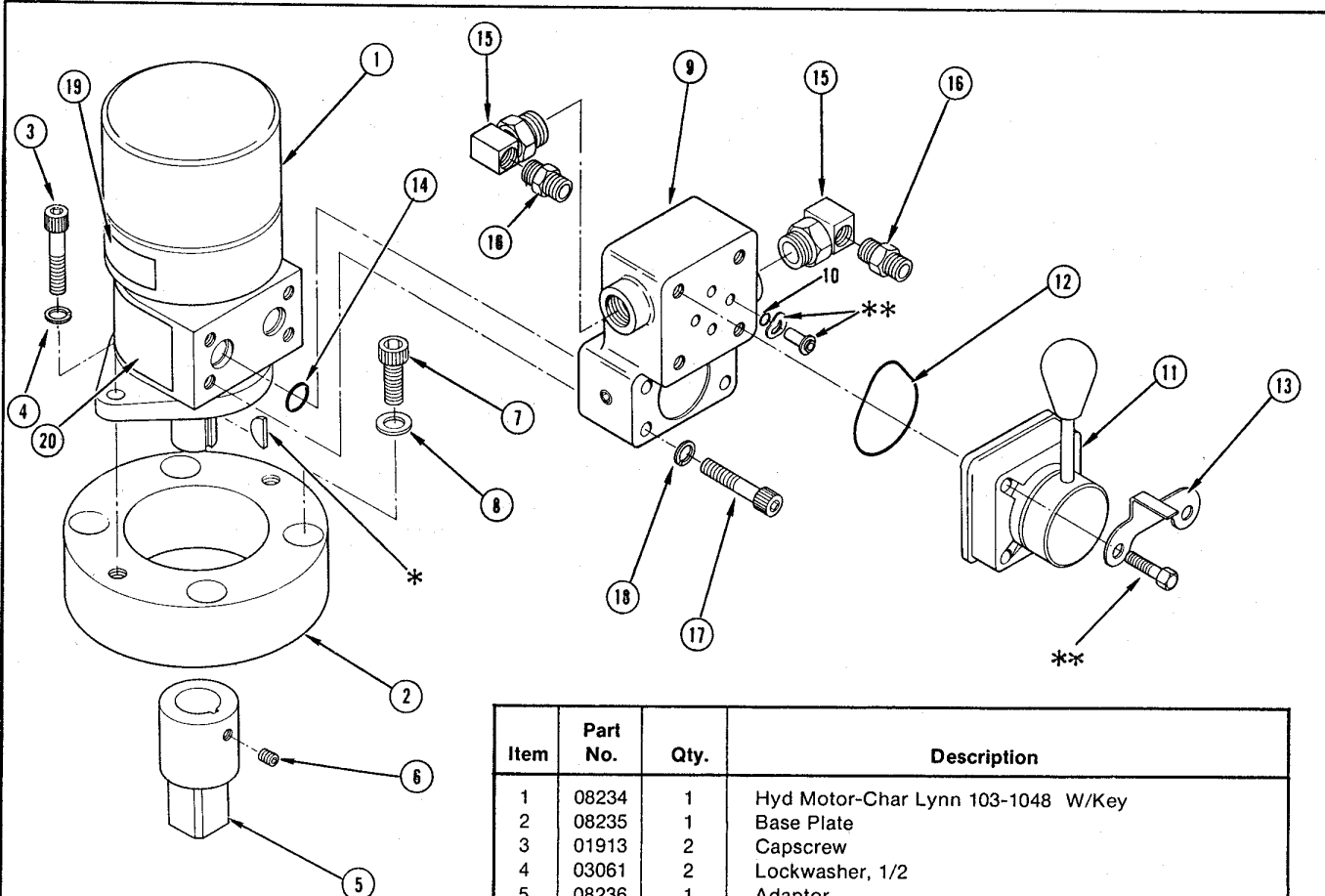


SPECIFICATIONS

Weight	25 lbs/11 kg
Length	6 in/15 cm
Width	6 in/15 cm
Height	10 in/25 cm
Flow Range	7-9 gpm/26-34 lpm
Pressure Range	1500-2000 psi/105-140 bar
Connect Size & Type	3/8 male pipe
System Type	o.c. or c.c.

MODEL DH03

**HYDRAULIC
DRIVE HEAD**



NOTE: Use part number and part name when ordering.

* Supplied as part of Item 1.

** Supplied as part of Item 11.

Item	Part No.	Qty.	Description
1	08234	1	Hyd Motor-Char Lynn 103-1048 W/Key
2	08235	1	Base Plate
3	01913	2	Cap screw
4	03061	2	Lockwasher, 1/2
5	08236	1	Adaptor
6	01607	1	Setscrew, 1/4-20 x 1/4
7	04723	4	Cap screw, 3/8-16 x 1 Hex Soc. Hd.
8	01459	4	Lockwasher, 3/8
9	08645	1	Valve Block/Control Valve Assy—Incl Items 9-12
9	08646	1	Valve Block Assy—Incl Item 10
10	01362	3	O-Ring
11	08647	1	Manual Control Valve—Incl Item 12
12	02177	1	O-Ring, 2-1/16 x 2-1/4 x 3/32 90D
13	08672	1	Valve Lock
14	00354	2	O-Ring, 1/2 x 11/16 x 3/32 70D
15	08651	2	Adaptor 90°—1/2 SAE/3/8 NPT Fem
16	05182	2	Hex Nipple, 3/8 NPT
17	00667	4	Cap screw, 5/16-18 x 2-1/4 Hex Soc. Hd.
18	03031	4	Lockwasher, 5/16
19	03786	1	GPM Sticker 7-9, 2000 psi
20	05152	1	Stanley Sticker

STANLEY

helps you do things right

Stanley Hydraulic Tools

Division of The Stanley Works

3810 S.E. Naef Road

Milwaukie, Oregon 97267

Phone: 503/659-5660

Telex: 360771