

STANLEY

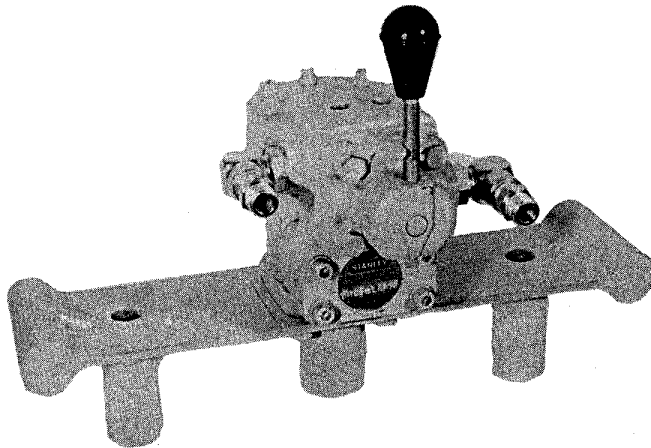
helps you do things right

Stanley Hydraulic Tools

Division of The Stanley Works
3810 S.E. Naef Road
Milwaukie, Oregon 97267
Phone: 503/659-5660
Telex: 360771

PARTS LIST

DH02



SPECIFICATIONS

| | |
|---------------------------|---------------------------|
| Weight | 20 lbs/9 kg |
| Length | 16-1/2 in/42 cm |
| Width | 4 in/10 cm |
| Height | 8 in/20 cm |
| Flow Range | 7-9 gpm/26-34 lpm |
| Pressure Range | 1500-2000 psi/105-140 bar |
| Connect Size & Type | 3/8 male pipe |
| System Type | o.c. or c.c. |

MODEL DH02

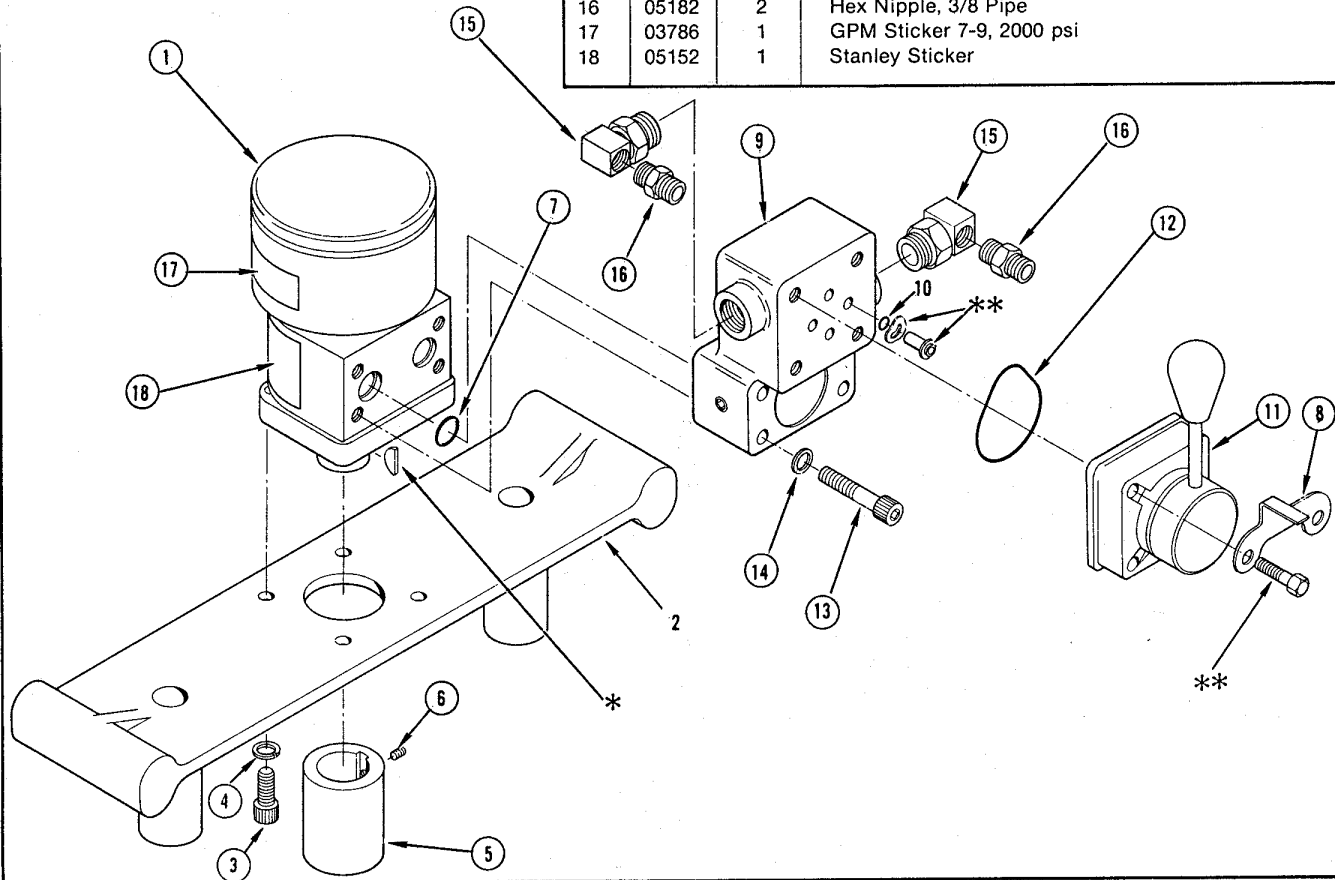
**HYDRAULIC
DRIVE HEAD**

NOTE: Use part number and part name when ordering

* Supplied as part of Item 1

** Supplied as part of Item 11.

| Item | Part No. | Qty. | Description |
|------|----------|------|---|
| 1 | 08227 | 1 | Hyd Motor-Char Lynn 103-1018 W/Key |
| 2 | 08228 | 1 | Main Frame |
| 3 | 00700 | 4 | Capscrew, 3/8-16 x 7/8 Hex Soc. Hd. |
| 4 | 01459 | 4 | Lockwasher |
| 5 | 08229 | 1 | Adaptor |
| 6 | 01607 | 1 | Setscrew, 1/4-20 x 1/4 |
| 7 | 00354 | 2 | O-Ring, 1/2 x 11/16 x 3/32 70D |
| 8 | 08672 | 1 | Valve Lock |
| | 08645 | 1 | Valve Block/Control Valve Assy.—Incl Items 9-12 |
| 9 | 08646 | 1 | Valve Block Assy.—Incl Item 10 |
| 10 | 01362 | 3 | O-Ring, 5/16 x 7/16 x 1/16 70D |
| 11 | 08647 | 1 | Manual Control Valve—Incl Item 12 |
| 12 | 02177 | 1 | O-Ring, 2-1/16 x 2-1/4 x 3/32 90D |
| 13 | 00667 | 4 | Capscrew, 5/16-18 x 2-1/4 Hex Soc. Hd. |
| 14 | 03031 | 4 | Lockwasher, 5/16 |
| 15 | 08651 | 2 | Adaptor 90°, 1/2 SAE/3/8 NPT Fem |
| 16 | 05182 | 2 | Hex Nipple, 3/8 Pipe |
| 17 | 03786 | 1 | GPM Sticker 7-9, 2000 psi |
| 18 | 05152 | 1 | Stanley Sticker |



STANLEY

helps you do things right

Stanley Hydraulic Tools

Division of The Stanley Works
 3810 S.E. Naef Road
 Milwaukie, Oregon 97267
 Phone: 503/659-5660
 Telex: 360771