

STANLEY[®]

helps you do things right

Stanley Hydraulic Tools

Division of The Stanley Works

3810 S.E. Naef Road

Milwaukie, Oregon 97267

Phone: 503/659-5660

Telex: 360771

PARTS LIST



CT12752

10,000 PSI

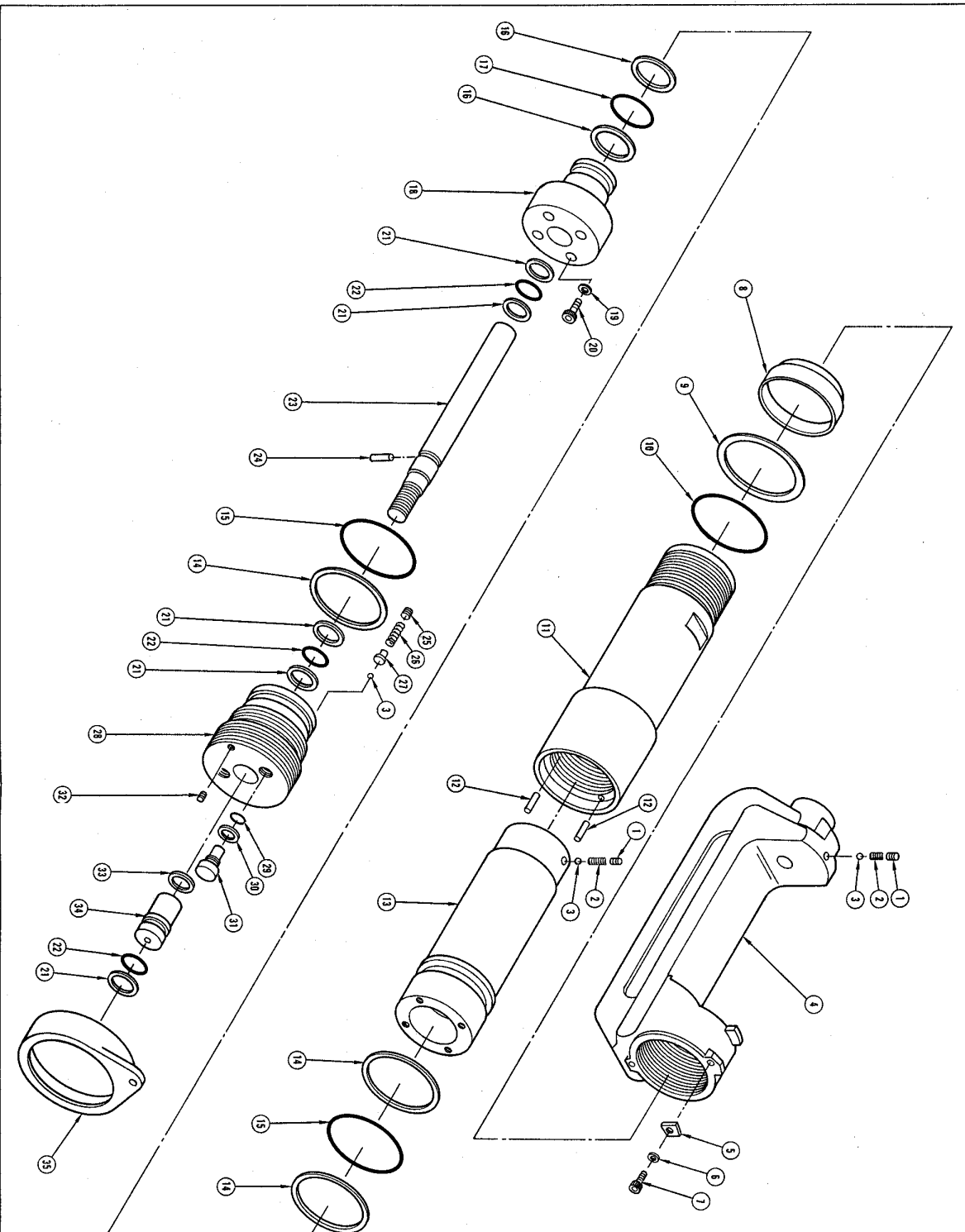
SPECIFICATIONS

Type	Double Acting
Weight	15 lb./6.8 kg.
Length	12.5 in./31.7 cm
Width	3 in./7.6 cm
Porting	Oil Tube Port — 1/4 NPSM Female
Capacity	Kearney PH-2 Dies
Force Developed	12 Tons
Operating Pressure	10,000 psi/704 BAR

MODEL CT12752

10,000 PSI

**COMPRESSION
TOOL**



Illustr. Index No.	Part No.	Qty. Per Unit	PART NAME
1	10443	1	Screw
2	10444	2	Spring
3	09880	3	Ball, 1/8
4	10445	1	C-Head
5	10123	1	Stopper
6	10447	1	Lock Washer
7	10448	1	Screw
8	10449	1	Scraper
9	10450	1	Back-up Ring
10	10102	1	O-Ring
11	10451	1	Cylinder
12	09883	2	Dowel Pin
13	10452	1	Ram
14	10453	3	Back-up Ring
15	10454	2	O-Ring
16	09867	2	Back-up Ring
17	10132	1	O-Ring
18	09873	1	Ram End
19	09974	4	Lock Washer
20	09975	5	Screw
21	09976	3	Back-up Ring
22	10455	1	O-Ring
23	09972	1	Inner Piston
24	09977	1	Adjusting Screw
25	09978	1	Spring
26	09979	1	Spring Holder
27	08978	1	End Cap
28	01035	2	Spring
29	09836	1	End Cap
30	09883	2	Back-up Ring
31	09884	2	Port Plug
32	10456	1	Screw
33	09885	1	Lock Washer
34	09886	1	Retaining Nut
35	09887	1	Thread Protector

NOTE: Use Part Number and Part Name When Ordering.

STANLEY[®]
helps you do things right

Stanley Hydraulic Tools

Division of The Stanley Works
3810 S.E. Naef Road
Milwaukie, Oregon 97267
Phone: 503/659-5660
Telex: 360771