

STANLEY
helps you do things right

Stanley Hydraulic Tools
Division of The Stanley Works
3810 S.E. Naef Road
Milwaukie, Oregon 97222
Phone: 503/659-5660
Telex: 360771

PARTS LIST

CR 25

SPECIFICATIONS

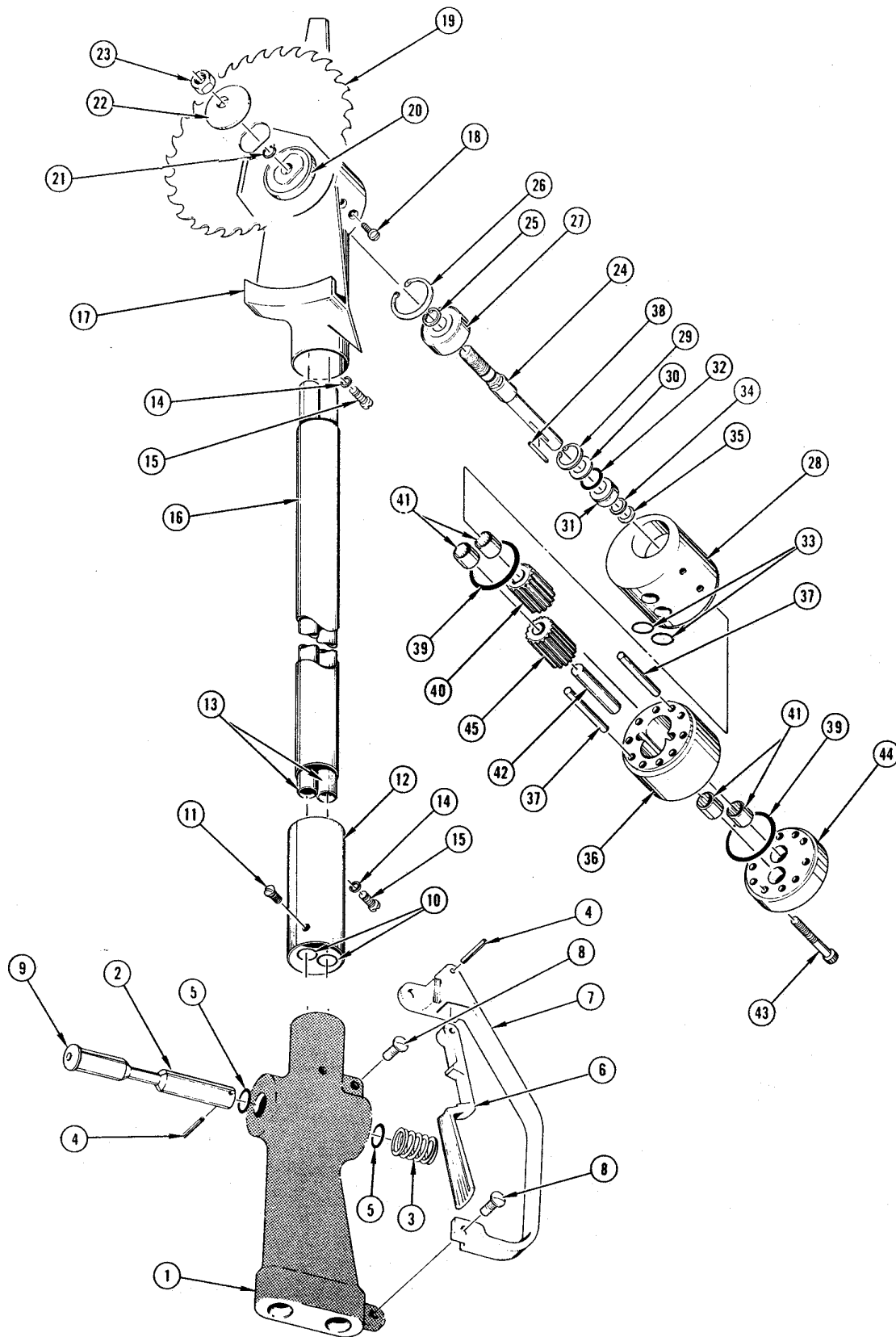
Weight	5 lbs/2.5 kg
Pressure Range	1000-2000 psi/70-140 BAR
Flow Range	3-5 gpm/11-19 lpm
Optimum Flow	5 gpm/19 lpm
Porting	3/8 pipe
System Type	open or closed center

	Overall Length	
	in	cm
Dimensions	60	152.4
	72	182.9
	84	213.4

U.S. Patent Numbers 3 421 412, 3 330 302 and 3 350 985

MODEL CR 25

**HYDRAULIC
ORCHARD SAW**



NOTE: Use part number and part name when ordering.

Illus. Index No.	Part No.	Qty. Per Unit	PART NAME
	01829	1	Valve Assembly O.C.
	01830	1	Valve Assembly C.C.
1	01986	1	Valve Handle Assy.
2	01716	1	Spool O.C.
	01717	1	Spool C.C.
3	01030	1	Spring•
4	01534	2	Roll Pin, 1/8 x 1-1/4•
5	00175	2	O-Ring, 1/2 x 5/8 x 1/16 (90 Duro)⊙
6	01718	1	Trigger
7	01715	1	Guard
8	00160	2	Screw, 1/4-20 x 3/4 Oval Hd.
9	01812	1	Screw
10	00018	2	O-Ring, 1/16 x 7/16 I.D. (90 Duro)⊙
11	00027	2	Screw, 1/4-20 x 3/8 Oval Hd.•
12	01828	1	Outer Tube Connector
13	01725	2	Oil Tube (6 ft.)
	01726	2	Oil Tube (5 ft.)
	01727	2	Oil Tube (4 ft.)
14	00032	6	Lockwasher, 10•
15	00033	6	Screw, 10-24 x 7/16 Pan Hd.•
16	00194	1	Outer Tube (6 ft.)
	00196	1	Outer Tube (5 ft.)
	00198	1	Outer Tube (4 ft.)
17	00180	1	Saw Housing
18	00181	4	Screw, 10-24 x 3/8 Oval Hd.•
19	00200	1	Saw Blade, 6" dia. 40 Tooth

Illus. Index No.	Part No.	Qty. Per Unit	PART NAME
	02964	1	Motor Assembly
20	00184	1	Fixed Collar
21	00183	1	Retaining Ring
22	00185	1	Moveable Collar
23	00182	1	Nut
24	00186	1	Motor Shaft
25	00051	1	Retaining Ring
26	00011	1	Retaining Ring
27	00048	1	Bearing•
28	03403	1	Front Bearing Retainer Assy. (Incl. 41)
29	00054	1	Retaining Ring
30	00053	1	Washer⊙
31	00056	1	Seal Liner⊙
32	00106	1	O-Ring, 3/8 x 1/2 x 1/16⊙
33	00018	2	O-Ring, 7/16 x 9/16 x 1/16 (90 Duro)⊙
34	00112	1	Quad Ring, 1/4 x 3/8 x 1/16⊙
35	00179	1	Washer⊙
36	00062	1	Gear Chamber
37	00061	2	Dowel Pin, 3/16 x 1-1/4
38	01083	1	Key•
39	00621	2	O-Ring, 1-1/4 x 1-3/8 x 1/16⊙
40	00065	1	Drive Gear
41	00059	4	Needle Bearing
42	00063	1	Idler Shaft
43	00068	8	Capscrew
44	03404	1	Rear Bearing Retainer Assy. (Incl. 41)
45	00064	1	Idler Gear

• Denotes Part in Repair Kit.

⊙ Denotes Part in Seal Kit.

REPAIR AND SEAL KIT DATA

CR 25 Repair Kit Part No. 02044

Part No.	Qty.	Description
01030	1	Spring
01083	1	Key
00011	1	Retaining Ring
00027	2	Screw
00048	1	Bearing
00051	1	Retaining Ring
00054	1	Retaining Ring
00181	4	Screw
00032	6	Lockwasher
00033	6	Screw

Part No.	Qty.	Description
01534	2	Roll Pin
Seal Kit Part No. 02045		
00018	4	O-Ring
00053	1	Washer
00056	1	Liner
00175	2	O-Ring
00106	1	O-Ring
00112	1	Quad Ring
00179	1	Washer
00621	2	O-Ring

STANLEY[®]
helps you do things right

Stanley Hydraulic Tools
Division of The Stanley Works
3810 S.E. Naef Road
Milwaukie, Oregon 97222
Phone: 503/659-5660
Telex: 360771