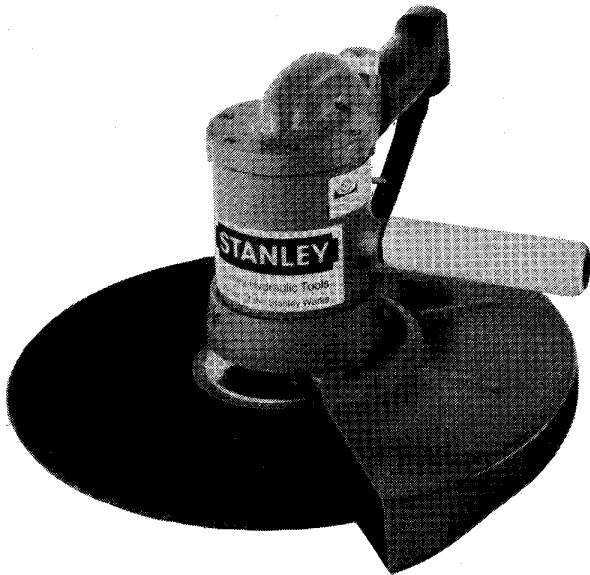


STANLEY
helps you do things right

Stanley Hydraulic Tools
Division of The Stanley Works
13770 S.E. Ambler Road
Clackamas, Oregon 97015
Phone: 503/659-5660

PARTS LIST

CO24



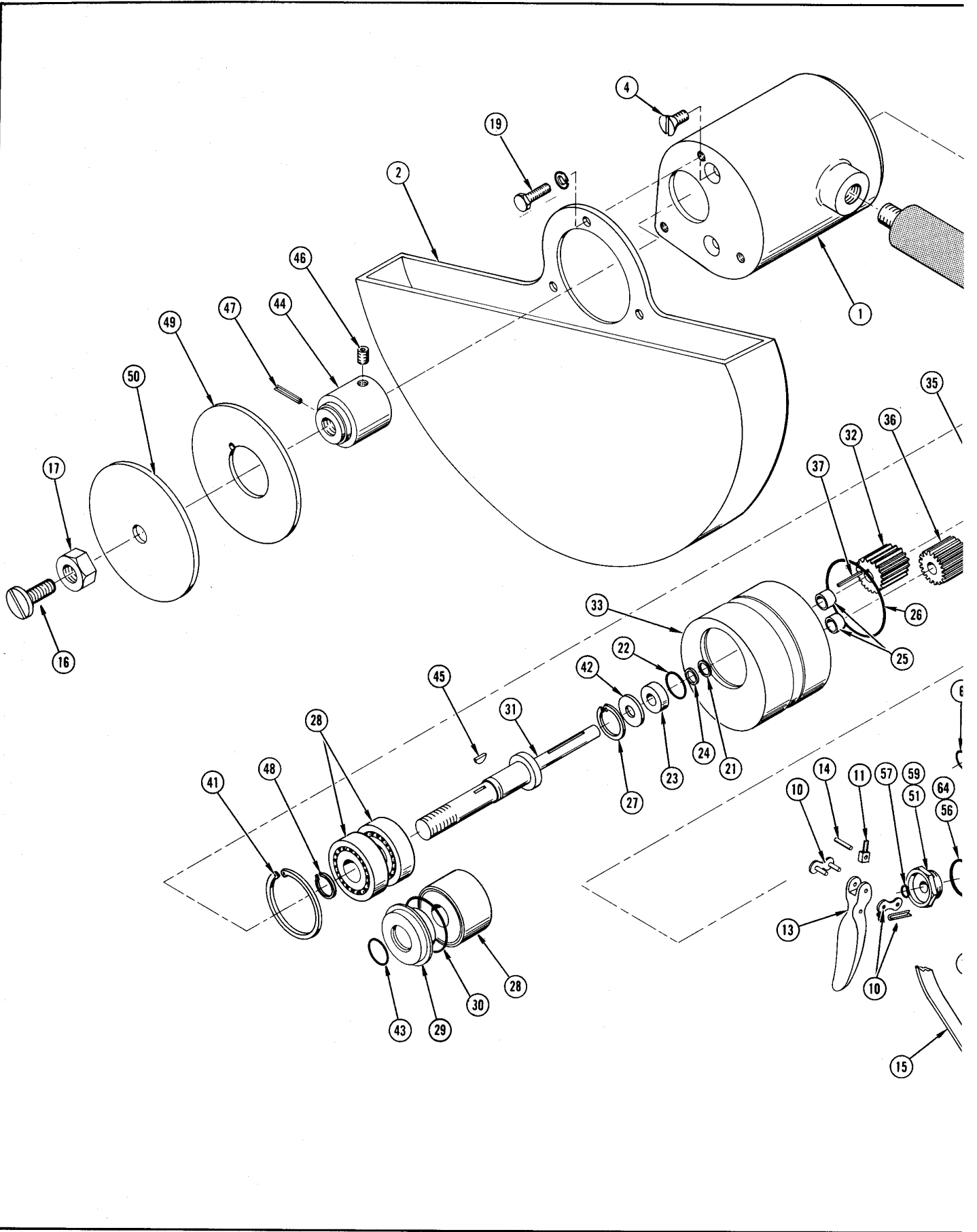
SPECIFICATIONS

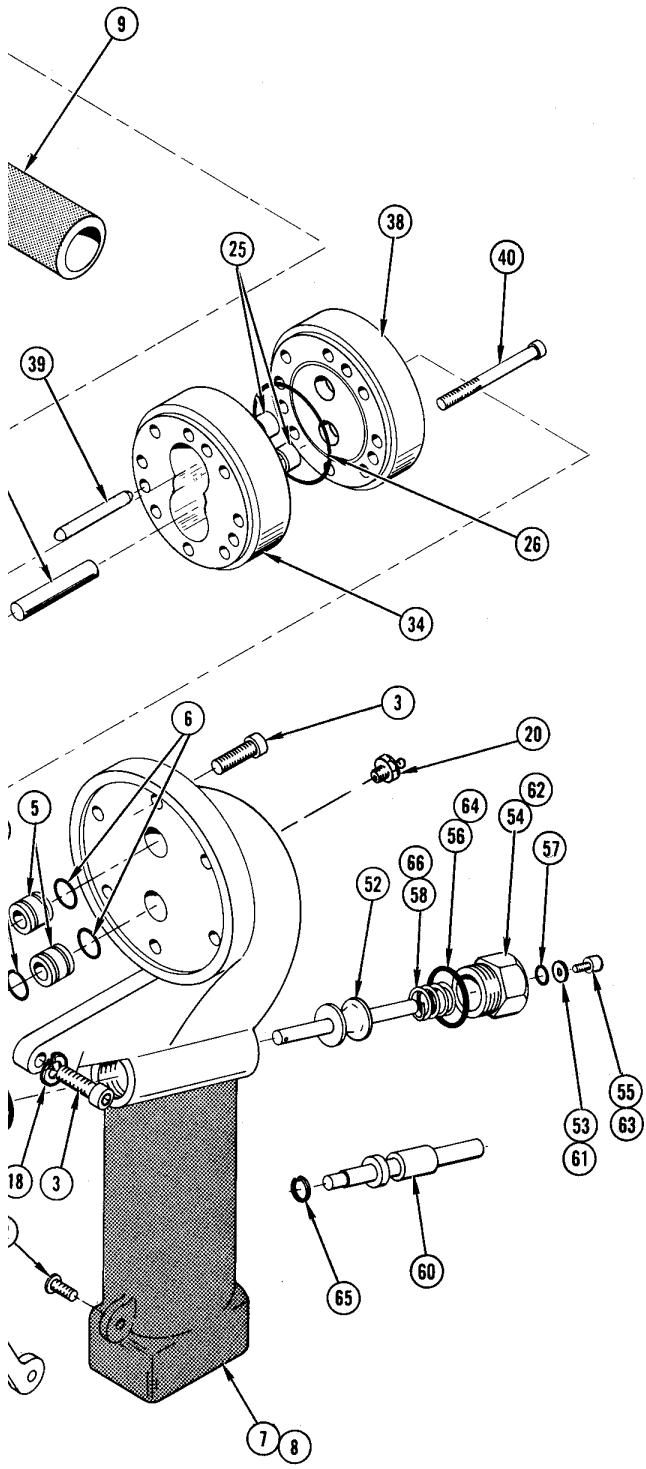
Weight	11 lbs/5.0 kg
Pressure Range	1000-2000 psi/70-140 kg/cm ²
Flow Range	7-9 gpm/26-34 lpm
Optimum Flow	9 gpm/34 lpm
Porting	3/8 Pipe
Overall Length	14 inch/35 cm
System Type	o.c. or c.c.

Patent Number 3 421 412

MODEL CO24

**HYDRAULIC
CUTOFF
WHEEL**





● Denotes Part In Repair Kit
 ○ Denotes Part In Seal Kit
 U/W Denotes Underwater Models
 * Quantity 2 Bearings Used On Land Models

Illus. Index No.	Part No.	Part No.	Qty. Per Unit	PART NAME
	Land	U/W		
1	00594	00594	1	Motor Housing
2	01693	01693	1	Cut-Off Wheel Guard
3	00769	00596	7	Assembly Screw
4	00774	00597	2	Housing to Motor Assembly Screw
5	00174	00174	2	Oil Tube
6	00175	00175	4	Oil Tube O-Ring ○
7	01977	01977	1	Handle (Includes Valve Sleeve) o.c.
8	01976	01976	1	Handle (Includes Valve Sleeve) c.c.
9	00234	00234	1	Cross Handle
10	00113	00615	1	Trigger Link ●
11	00071	00616	1	Trigger Hinge ●
12	00160	00050	1	Trigger Guard Screw
13	00773	00898	1	Trigger
14	00072	00128	1	Trigger Hinge Pin ●
15	00159	00159	1	Trigger Guard
16	00883	00883	1	Safety Screw
17	01714	01714	1	Nut
18	00046	00093	4	Lockwasher
19	00899	01213	3	Screw
20		00767	1	Grease Fitting
	02997	02996	1	Motor Assembly
21	01203	01203	1	Washer, Seal Liner ●
22	00171	00171	1	O-Ring ○
23	00172	00172	1	Seal Liner ○
24	00173	00173	1	Quad Ring ○
25	00177	00177	4	Needle Bearing
26	00178	00178	2	O-Ring ○
27	00170	00405	1	Retaining Ring ●
28	00148	03109	1	Outer Motor Bearing * ●
29		03104	1	Keeper, Seal End Bearing
30		02905	1	O-Ring ○
31	01439	03105	1	Shaft
32	00608	00608	1	Drive Gear w/Keyway
33	00603	00603	1	Front Bearing Retainer
34	00605	00605	1	Gear Housing
35	00606	00606	1	Idler Shaft
36	00607	00607	1	Idler Gear
37	00609	00609	1	Key ●
38	00610	00610	1	Rear Bearing Retainer
39	00611	00611	3	Dowel Pin
40	00120	00612	8	Cap Screw
41	00166	00633	1	Retainer Ring ●
42	00169	00169	1	Washer ○
43		03110	1	Seal, Teflon ○
44	01875	03107	1	Thrust Collar - Standard
45	00772	00600	1	Woodruff Key ●
46	03236	00580	1	Collar Set Screw
47	00563	00563	1	Roll Pin
48	00708		1	Snap Ring, Inner ●
49	01460	01460	1	Inside Collar
50	01479	01479	1	Outside Collar
				Valve Handle Assembly - Open Center
51	00073	00130	1	Seal Cap Assy. (Includes Item #57)
52	00005	00131	1	Valve Spool - Open Center
53	01176	01176	1	Stop Washer
54	02290	00132	1	Spring Cap Assembly
55	00109	00134	1	Screw, Stop Washer
56	00074	00074	2	O-Ring
57	00112		2	Quad Ring
58	00006	00006	1	Spring ●
				Valve Handle Assembly - Closed Center
59	00073	00130	1	Seal Cap Assy. (Includes Item #57)
60	00078	00236	1	Valve Spool - Closed Center
61	01176	01176	1	Stop Washer
62	02291	00237	1	Spring Cap Assembly
63	00109	00134	1	Screw, Stop Washer
64	00074	00074	2	O-Ring ○
65	00077		1	Retainer Ring ○
66	00080	00006	1	Spring ●

REPAIR AND SEAL KIT DATA

Part No.	Qty.	Description
Repair Kit Part No. 01140 (Dry Model)		
00006	1	Spring
00071	1	Trigger Hinge
00072	1	Roll Pin
00077	1	Retainer Ring
00080	1	Spring
00113	1	Trigger Link
00148	2	Bearing
00166	1	Retainer Ring
00169	1	Seal Liner Washer
00170	1	Retainer Ring
00673	1	Key
00708	1	Retainer Ring
00772	1	Key
01139	1	Seal Kit

Part No.	Qty.	Description
Repair Kit Part No. 03113 (Underwater Model)		
00006	1	Spring
00128	1	Roll Pin
00169	1	Washer
00405	1	Retainer Ring
00609	1	Key
00615	1	Trigger Link
00616	1	Trigger Hinge
00633	1	Retainer Ring
00708	1	Retainer Ring
03109	1	Bearing
03258	1	Seal Kit

NOTE: Seal Kit Included In Repair Kit

Part No.	Qty.	Description
01139 Seal Kit (Dry Models)		
03258 Seal Kit (Underwater Models)		
00074	2	O-Ring
00112	2	Quad Ring
00171	1	O-Ring
00172	1	Seal Liner
00173	1	Quad Ring
00175	4	O-Ring
00178	2	O-Ring
01203	1	Washer
02905 *	1	O-Ring
03110 *	1	Seal, Teflon

* Included in Seal Kit
Part No. 03258 only.

STANLEY
helps you do things right

Stanley Hydraulic Tools
Division of The Stanley Works

13770 S.E. Ambler Road
Clackamas, Oregon 97015
Phone: 503/659-5660