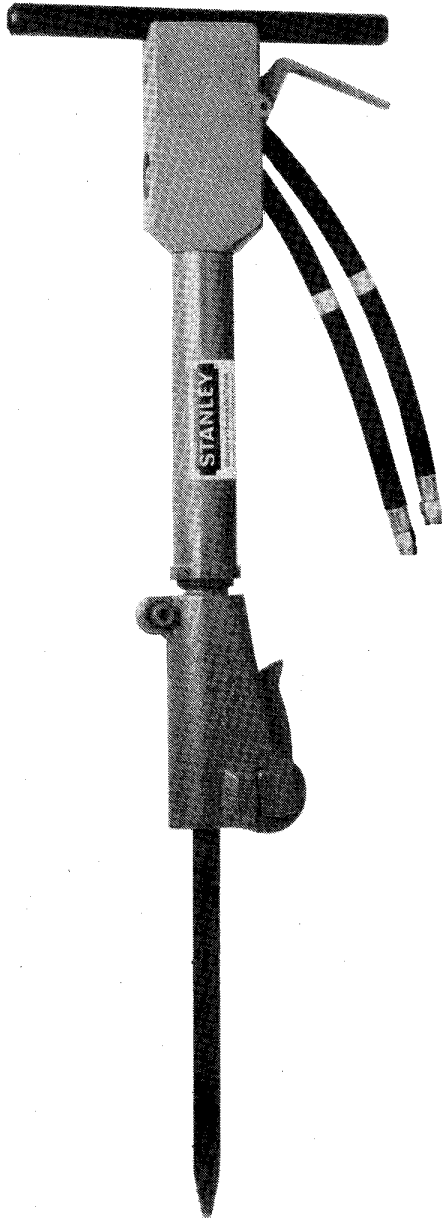


STANLEY
helps you do things right

Stanley Hydraulic Tools
Division of The Stanley Works

13770 S.E. Ambler Road
Clackamas, Oregon 97015
Phone: 503/659-5660



PARTS LIST

BR35

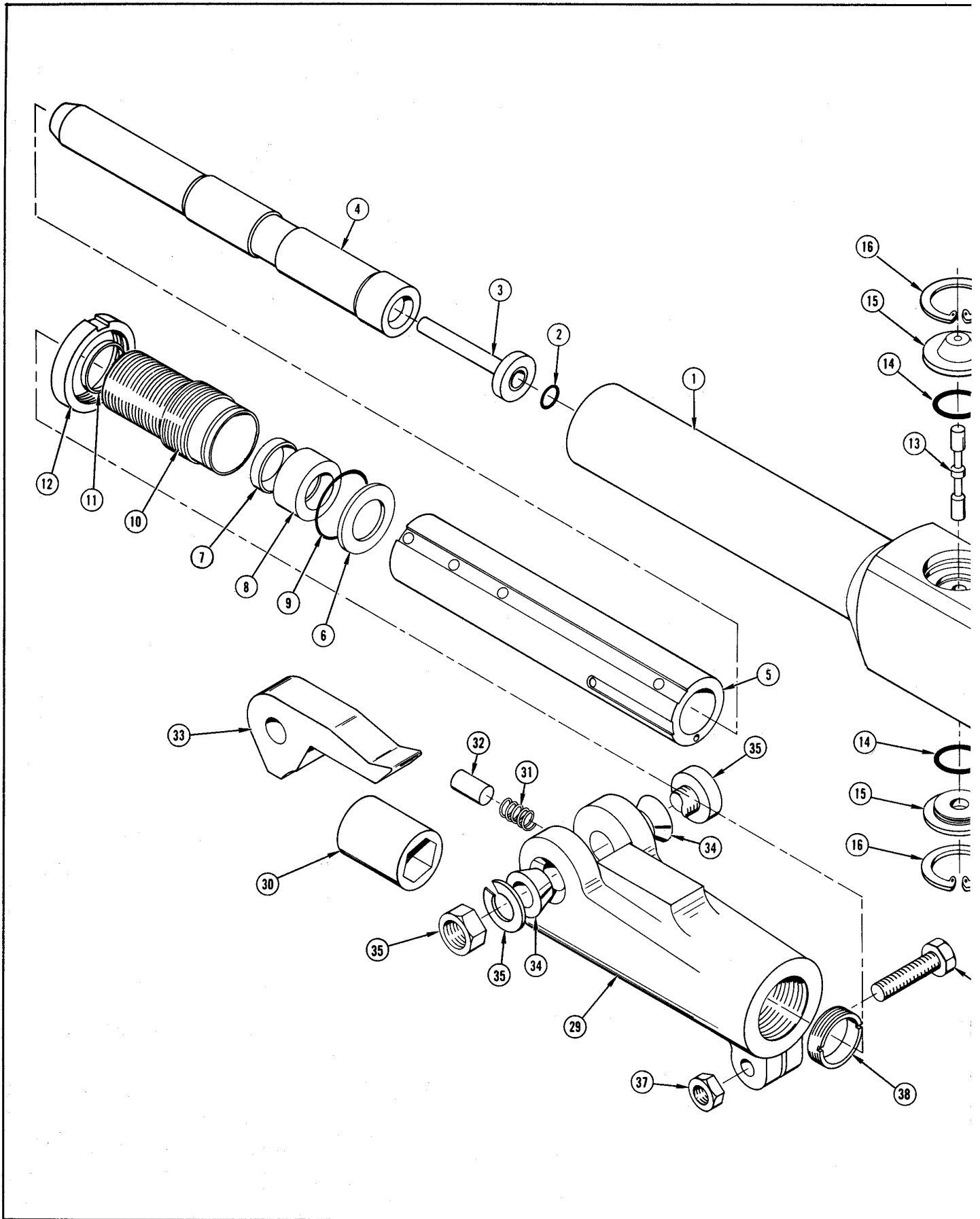
SPECIFICATIONS

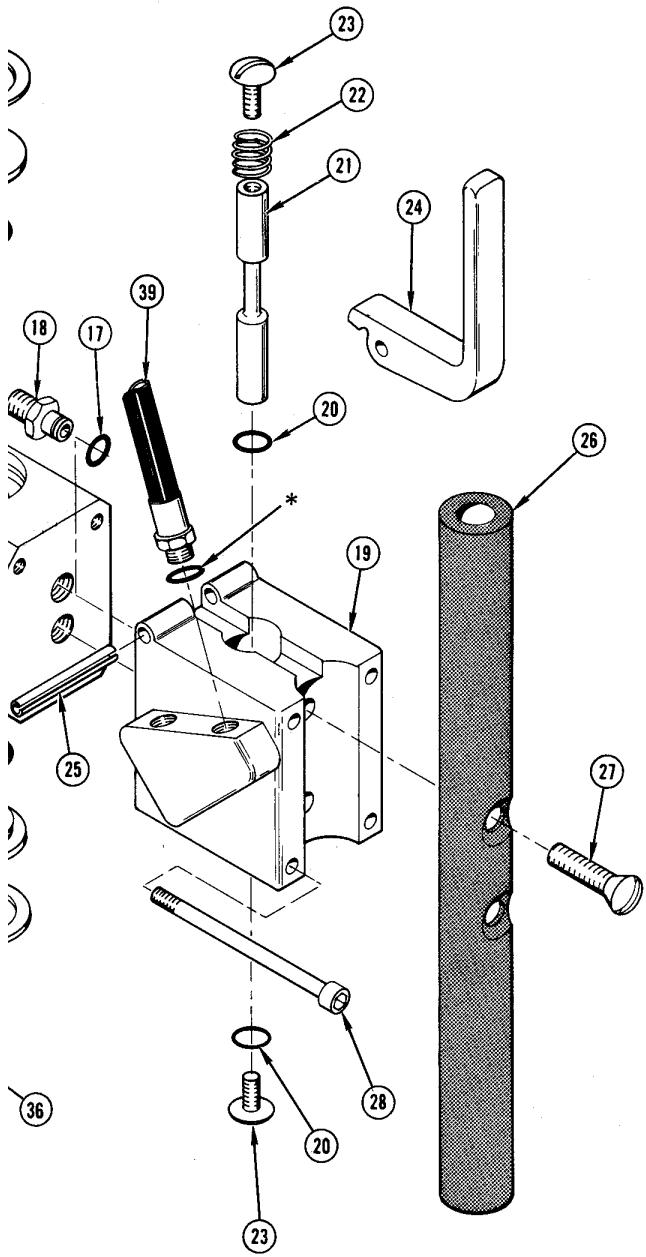
Weight	35 lbs/16 kg
Pressure Range	1000-2000 psi/70-140 kg/cm ²
Flow Range	5-6 gpm/19-23 lpm
Optimum Flow	6 gpm/23 lpm
Porting	3/8 pipe
Length	28 inch/71 cm
System Type	o.c.

U.S. Patent Number 3 800 662

MODEL BR35

**HYDRAULIC
BREAKER**





Illus. Index No.	Part No.	Qty. Per Unit	PART NAME
1	01785	1	Block and Tube Assembly
2	00175	1	O-Ring ⊙
3	01788	1	Oil Tube
4	01737	1	Piston
5	01789	1	Cylinder Assembly
6	01793	1	Washer
7	01171	1	Cup Seal ⊙
8	01286	1	Cushion Ring
9	01262	1	O-Ring ⊙
10	01794	1	Foot Adapter
11	01172	1	Wiper Seal ⊙
12	01795	1	Jam Nut
13	00819	1	Reversing Spool
14	00941	2	O-Ring ⊙
15	01096	2	Valve End Cap
16	00837	2	Retaining Ring
17	01751	2	O-Ring ⊙
18	01752	2	Adapter Fitting
19	01753	1	Valve Block
20	00669	2	Quad Ring ⊙
21	01754	1	Spool, On/Off
22	01803	1	Spring, Spool Return
23	01730	2	Machine Screw
24	01755	1	Trigger
25	00844	1	Roll Pin
26	01756	1	Handle
27	01757	2	Machine Screw
28	01758	4	Capscrew
29	01743	1	Foot
30	01742	1	Bushing, Hex.
31	01744	1	Spring, Detent
32	01745	1	Pin, Detent
33	01746	1	Latch
34	01269	2	Bushing
35	01240	1	Bolt (Includes Nut and Washer)
36	01322	1	Capscrew
37	00287	1	Nut
38	01417	1	Nut
39	01412	2	Hose Assembly (Includes O-Ring)
	02723	1	Name Tag (Not Illustrated)

⊙ Denotes Part In Seal Kit

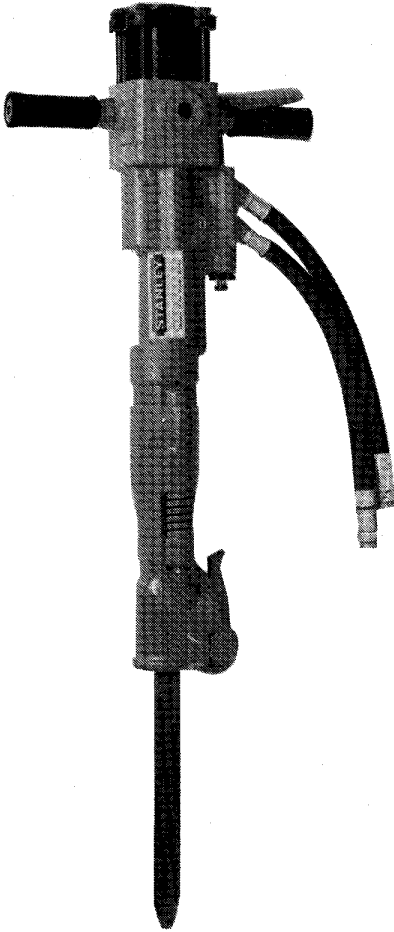
SEAL KIT DATA

Part No.	Qty.	Description
Seal Kit Part No. 01927		
01171	1	Cup Seal w/Backup Ring
00835	1	O-Ring
01172	1	Wiper Seal
00941	2	O-Ring
01751	2	O-Ring
00669	2	Quad Ring
01411	2	O-Ring
00175	1	O-Ring
01262	1	O-Ring

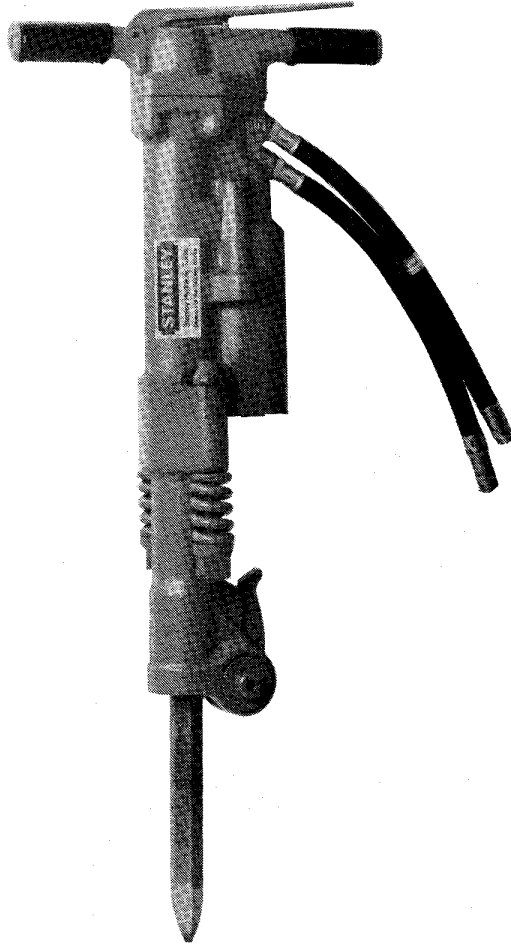
NOTE: The Seal Kit includes all the seals required for field service and repair. Parts required for field repair other than seals should be ordered individually by the Part Number listed.

* Supplied as Part of Item No. 39

**Also Available From
Stanley Hydraulic Tools**



BR65



BR85

STANLEY[®]
helps you do things right

Stanley Hydraulic Tools
Division of The Stanley Works

13770 S.E. Ambler Road
Clackamas, Oregon 97015
Phone: 503/659-5660