

STANLEY

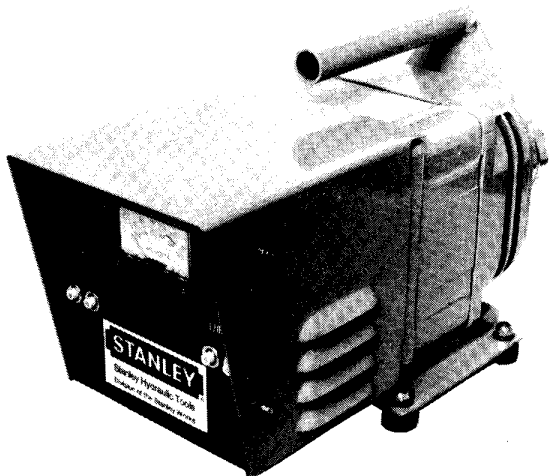
helps you do things right

Stanley Hydraulic Tools

Division of The Stanley Works
3810 S.E. Naef Road
Milwaukie, Oregon 97267
Phone: 503/659-5660
Telex: 360771

PARTS LIST

AL31

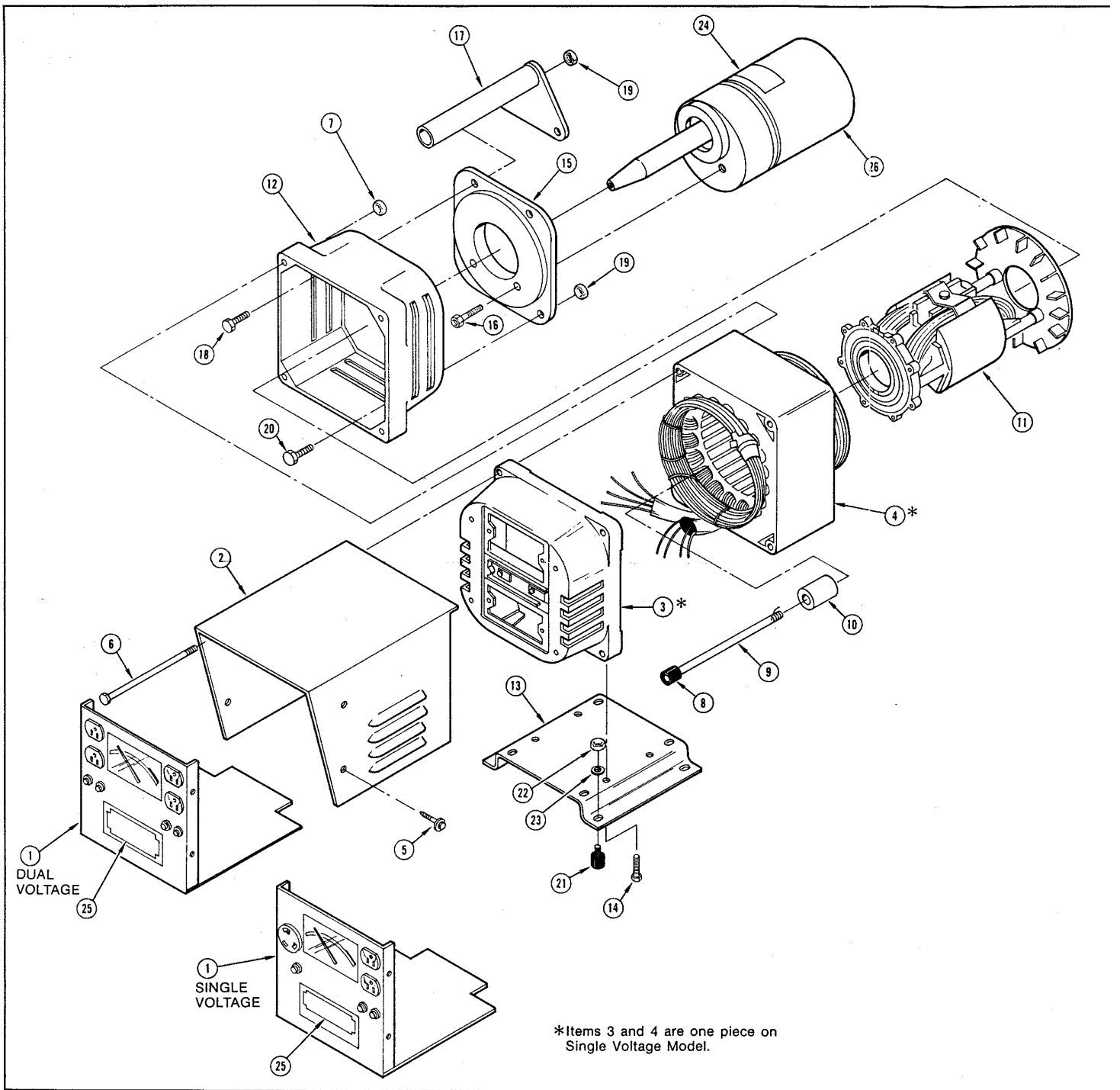


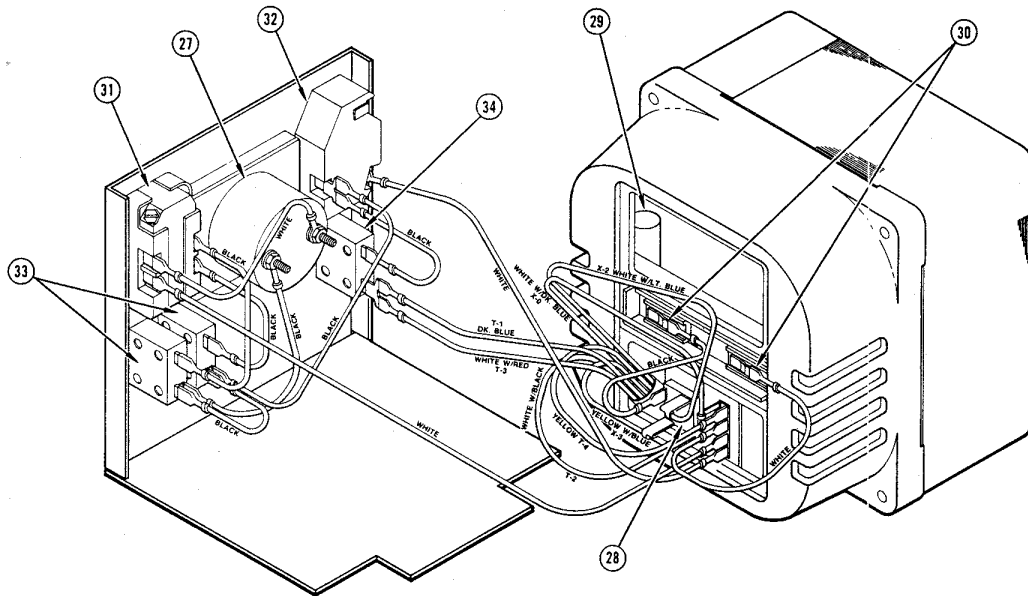
SPECIFICATIONS

Capacity	3000 watts	120-240 volts
Weight	57 lbs/26 kg	
Pressure Range	1000-2000 psi/70-140 BAR	
Flow Range	7-9 gpm/26-34 lpm	
Optimum Flow	8 gpm/30 lpm	
Porting	1/2 SAE	
Connect Size	3/8 Pipe	
Length	20 in/51 cm	
Width	9 in/23 cm	
Height	11 in/28 cm	

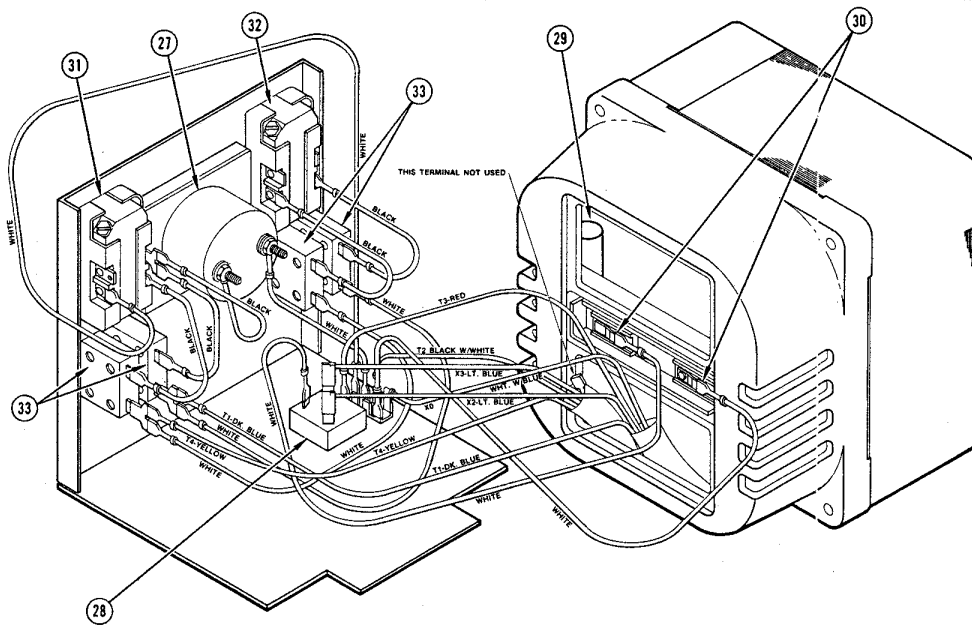
MODEL AL31

**HYDRAULIC
ALTERNATOR**





SINGLE VOLTAGE MODEL



DUAL VOLTAGE MODEL

Illus. Index No.	Part No.	Part No.	Qty. Per Unit	PART NAME
	Dual Voltage	Single Voltage		
1	05310	07145	1	Alternator Assembly (Incl. Items 1-14)
2	05311	07143	1	Control Panel Assembly
3	05312	05312	1	Wrapper
4	05313		1	End Bell Assembly
	05314		1	Stator Assembly
		07142	1	Stator and End Bell Assembly*
5	05315	05315	4	Screw and Washer Assembly
6	05316	05316	4	Capscrew
7	05317	05317	4	Nut and Lockwasher Assembly
8	05318	05318	1	Allen Nut
9	05319	05319	1	Stud
10	05320	05320	1	Sleeve
11	05321	05321	1	Rotor Assembly
12	05322	05322	1	Generator Adaptor Assembly
13	05323	05323	1	Base
14	05324	05324	4	Capscrew 3/8-16 Hex Hd. Thread Forming
15	05325	05325	1	Motor Adaptor
16	02072	02072	2	Capscrew 5/16-18 x 3/4 Hex Soc. Hd.
17	05326	05326	1	Handle Assembly
18	02099	02099	2	Capscrew 3/8-16 x 1-1/4 Hex Hd.
19	04353	04353	4	Nut 3/8-16
20	02116	02116	2	Capscrew 3/8-16 x 1 Hex Hd.
21	05351	05351	4	Rubber Foot
22	00429	00429	4	Hex Nut 5/16-18
23	02634	02634	4	Washer
24	03786	03786	1	GPM Sticker
25	05152	05152	1	Stanley Sticker
26	05329	05329	1	Motor Assembly (Refer to page 5)
	06877	06877	1	Motor Assembly (Refer to page 6)
27	05935	05935	1	Voltmeter
28	05936	05936	1	Rectifier Bridge
29	05937	05937	1	Capacitor
30	05938	05938	2	Brush
31	06654	06654	1	Receptacle - 15A, 120V
32	06655		1	Receptacle - 15A, 250V
		07377	1	Receptacle - 30A, 120V
33	06656		4	Circuit Breaker - 15A
		06656	2	Circuit Breaker - 15A
34		07378	1	Circuit Breaker - 30A

NOTE: Use Part Number and Part Name when ordering.

• Denotes Part in Seal Kit

SEAL KIT DATA

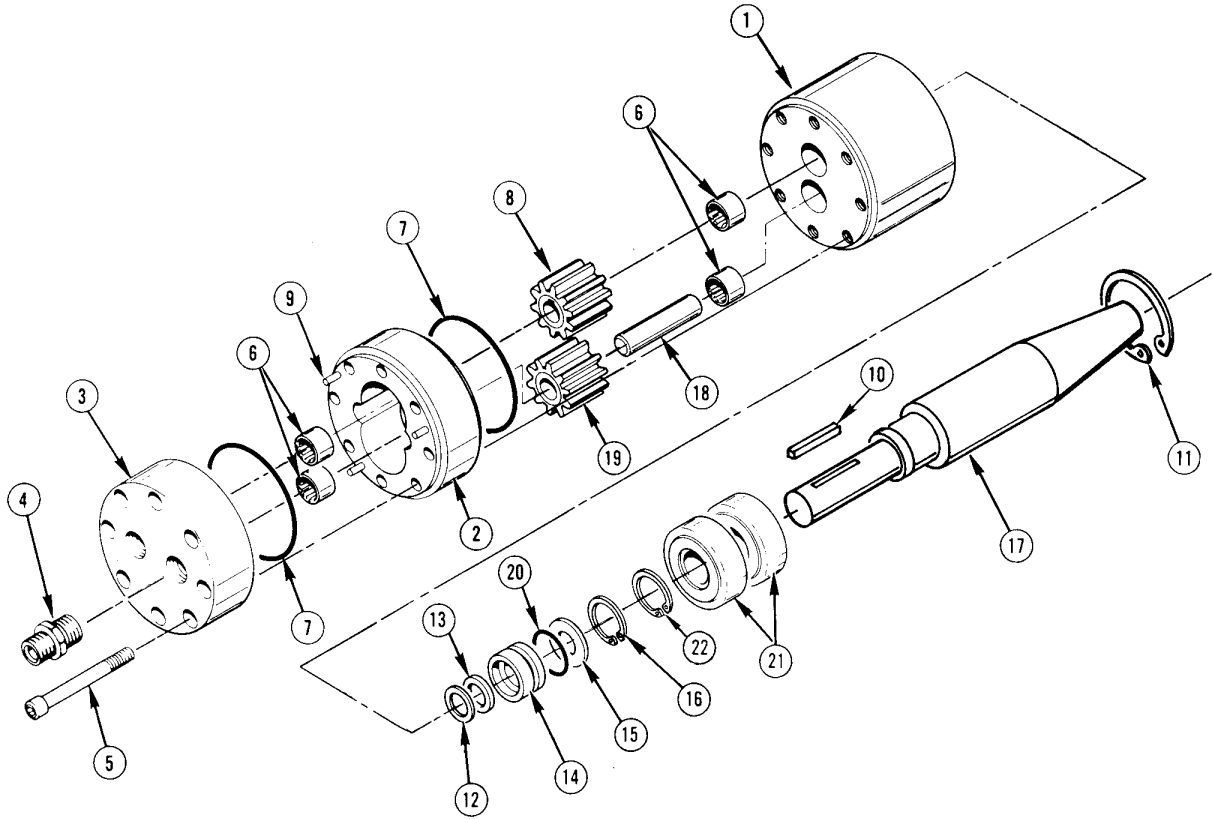
Seal Kit for 05329 Motor

Part No.	Qty.	Description
Seal Kit Part Number 01167		
00171	1	O-Ring
00172	1	Seal Liner
00173	1	Quad Ring
00178	2	O-Ring
01203	1	Seal Washer
06457	1	Service Instructions

Seal Kit for 06877 Motor

Part No.	Qty.	Description
Seal Kit Part Number 07388		
00178	1	O-Ring
06315	1	Seal
07387	1	Service Instructions

HYDRAULIC MOTOR ASSEMBLY 05329



Illus. Index No.	Part No.	Qty. Per Unit	PART NAME
1	05486	1	Front Bearing Retainer Assy. — Incl. Item 6
2	00605	1	Gear Housing
3	03409	1	Rear Bearing Retainer Assy. — Incl. Item 6
4	00936	2	Adaptor
5	00120	8	Capscrew 1/4-20 x 2-1/4 Hex Soc. Hd.
6	05240	4	Bushing/Bearing
7	00178	2	O-Ring 2-1/8 x 2-1/4 x 1/16●
8	00608	1	Gear With Keyway
9	00611	3	Dowel Pin
10	00609	1	Key 1/8 x 1/2

Illus. Index No.	Part No.	Qty. Per Unit	PART NAME
11	00166	1	Retaining Ring 1.850 Int.
12	01203	1	Seal Washer●
13	00173	1	Quad Ring●
14	00172	1	Seal Liner●
15	00169	1	Seal Liner Washer
16	00170	1	Retaining Ring 5/16 Int.
17	06876	1	Motor Shaft
18	00606	1	Idler Shaft
19	00607	1	Gear
20	00171	1	O-Ring 11/16 x 13/16 x 1/16●
21	00148	2	Bearing
22	00708	1	Retaining Ring 43/64 Ext.

● Denotes Part in Seal Kit.

NOTE

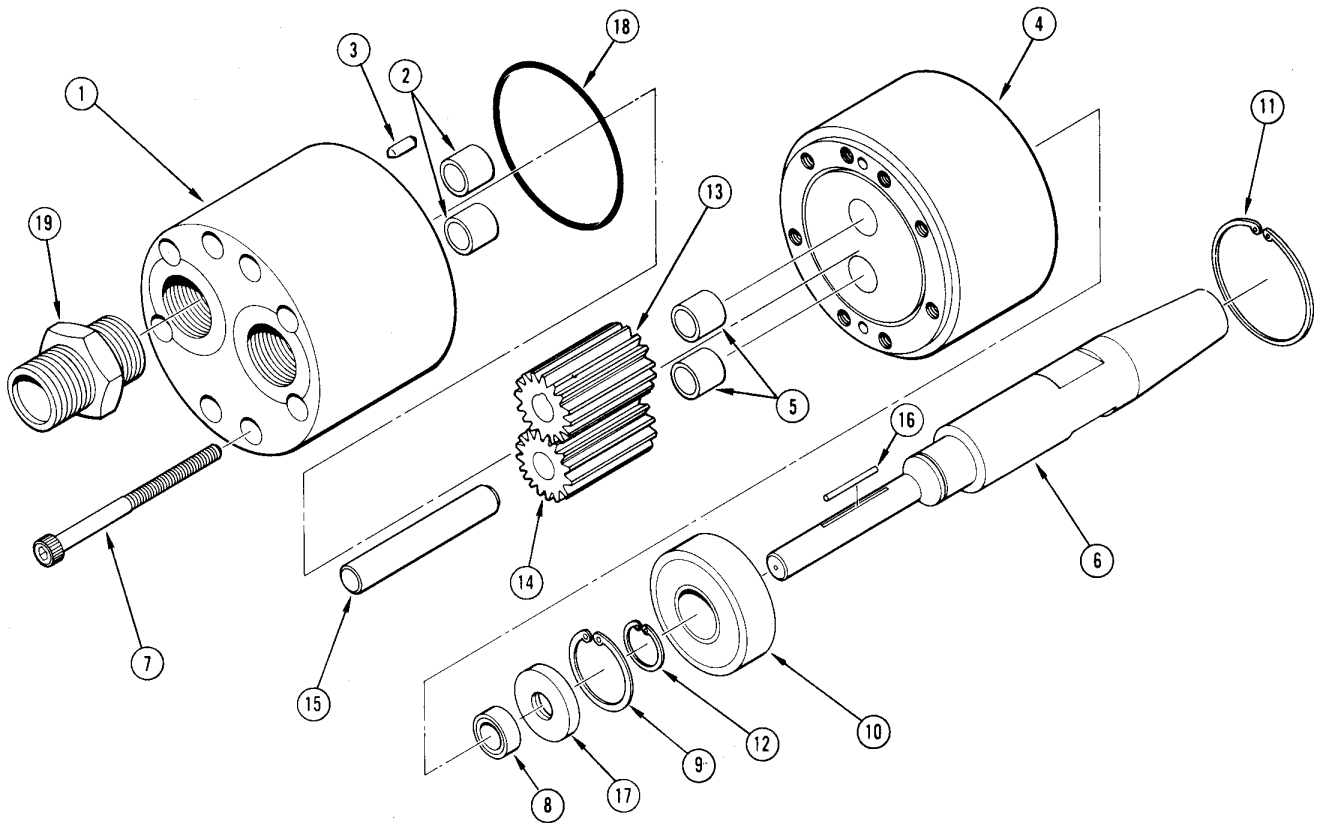
The AL31 Alternators may be assembled with Motor No. 05329 or Motor No. 06877. The motors are interchangeable but the individual components of the motors are not.

Motor No. 05329 is identified by having two grooves around the main body. Motor No. 06877 has only one groove.

Be sure to order parts per the appropriate list.

When replacing complete motor, order motor no. 06877

HYDRAULIC MOTOR ASSEMBLY 06877



Illus. Index No.	Part No.	Qty. Per Unit	PART NAME
	06846	1	Front Bearing Housing Assy. — Incl. Items 1, 2, 3
1	06880	1	Gear Housing
2	06316	2	Bushing
3	00713	2	Dowel Pin, 1/4 x 1
	06875	1	Front Bearing Housing Assy. Incl. Items 4, 5
4	06842	1	Bearing Housing
5	06316	2	Bushing
6	06876	1	Motor Shaft
7	00120	8	Capscrew, 1/4-20 x 2-1/4 HSH
8	06315	1	Seal ●

Illus. Index No.	Part No.	Qty. Per Unit	PART NAME
9	00170	1	Retaining Ring
10	00148	1	Bearing
11	00166	1	Retaining Ring
12	00708	1	Retaining Ring
13	06853	1	Drive Gear
14	06855	1	Idler Gear
15	06854	1	Idler Shaft
16	06881	1	Needle Roller
17	06304	1	Seal Washer
18	00178	1	O-Ring ●
19	00936	2	Adaptor

● Denotes Part in Seal Kit

STANLEY

helps you do things right

Stanley Hydraulic Tools

Division of The Stanley Works

3810 S.E. Naef Road
Milwaukie, Oregon 97267

Phone: 503/659-5660

Telex: 360771