

STANLEY[®]

helps you do things right

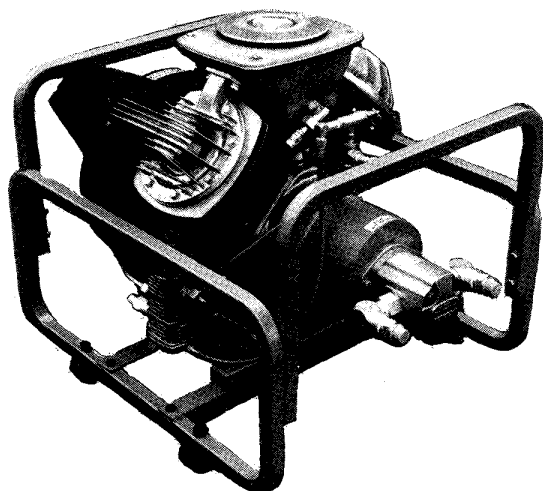
Stanley Hydraulic Tools

Division of The Stanley Works

3810 S.E. Naef Road
Milwaukie, Oregon 97267
Phone: 503/659-5660
Telex: 360771

PARTS LIST

AC30



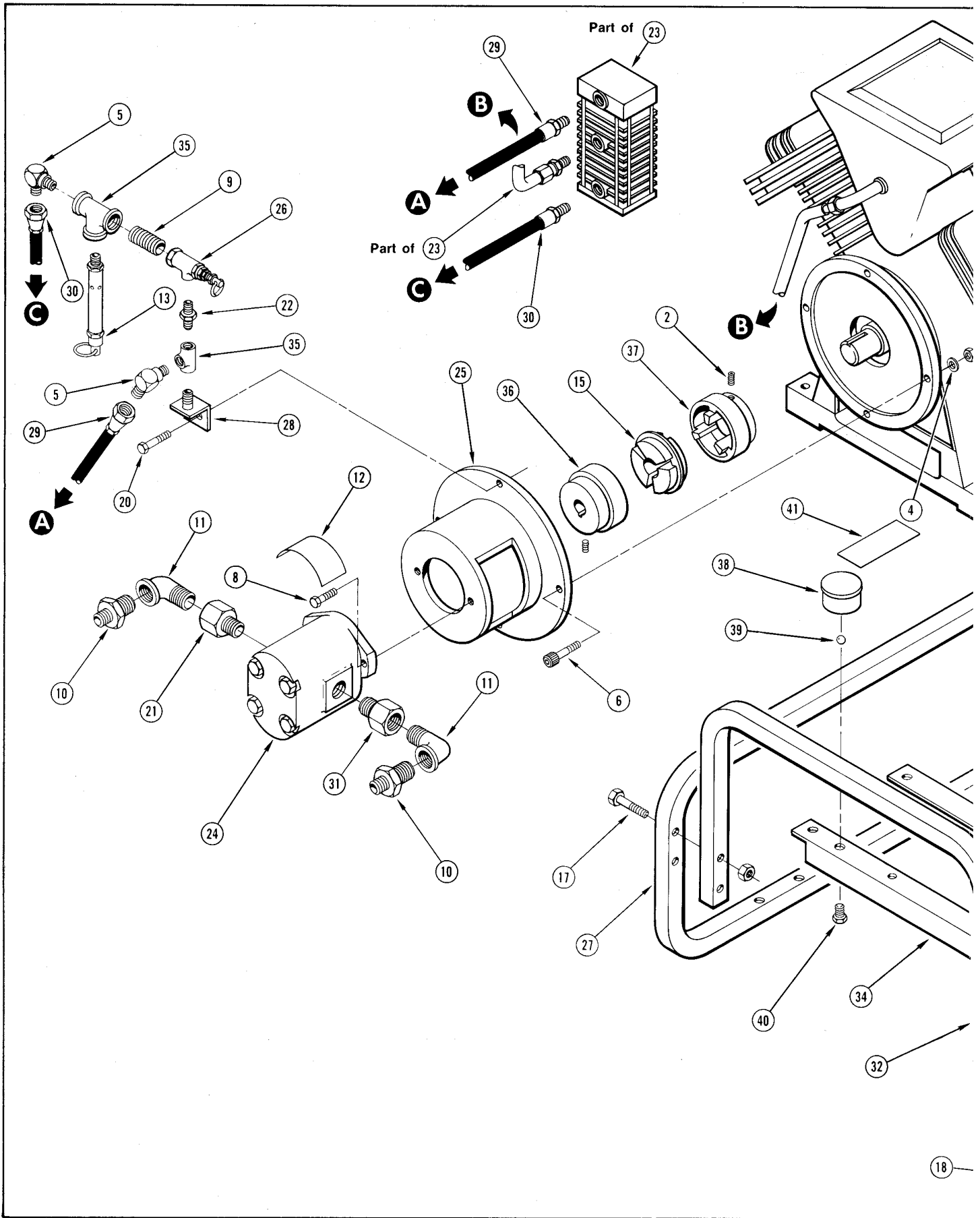
SPECIFICATIONS

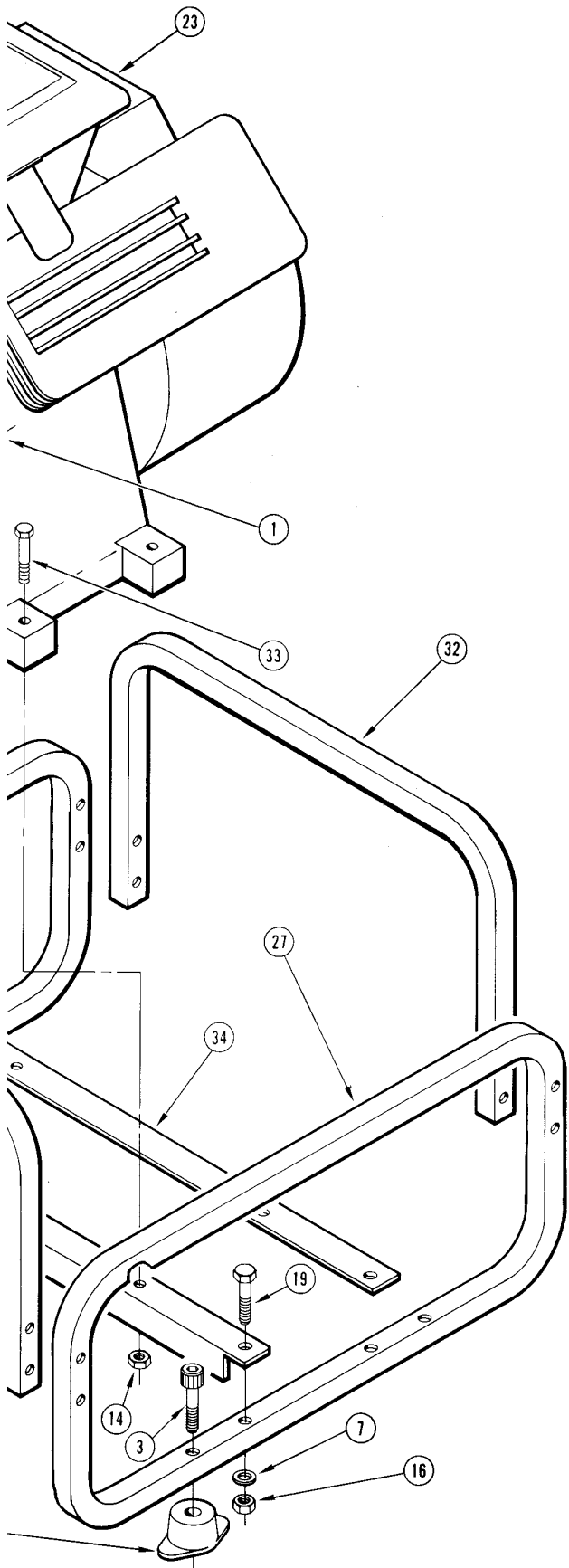
Capacity	32 SCFM @ 100 psi at 12 GPM 40 SCFM @ 100 psi at 12 GPM*
Weight	140 lbs/62 kg
Length	27.5 in/70 cm
Width	23.5 in/60 cm
Height	24 in/61 cm
Flow Range	7-14 GPM/26-52 lpm
Pressure	2000 psi Maximum/140 BAR
Porting	3/4" SAE inlet/1" SAE outlet adapted to 1/2" male pipe
Compressed Air Outlet	1/2 pipe

*Measured by air receiver pump-up method.

MODEL AC30

**AIR
COMPRESSOR**





Item	Part No.	Qty. Per Unit	Description
1	00147	4	Nut 3/8-16
2	00720	1	Set Screw 1/4-20 x 3/8
3	01322	4	Capscrew 1/2-20 x 2 Hex Soc Head
4	01459	4	Lockwasher 3/8
5	01540	2	Elbow 90° 1/4 NPT to 1/4 JIC
6	04723	3	Capscrew 3/8-16 x 1 Hex Soc Head
7	02101	4	Washer 3/8
8	02116	2	Capscrew 3/8-16 x 1 Hex Head
9	04191	1	Close Nipple 1/4 NPT
10	02137	2	Hex Nipple 3/4 NPT to 1/2 NPT
11	02148	2	Street Elbow 3/4 NPT
12	03789	1	GPM Sticker
13	03904	1	Relief Valve
14	03906	12	Locknut 5/16-18
15	03957	1	Drive Rubber Magnalloy 3780
16	04353	4	Locknut 3/8-16
17	04637	8	Capscrew 5/16-18 x 2-1/2 Hex Head
18	05249	4	Vibration Isolator
19	05570	4	Capscrew 3/8-16 x 1-3/4 Hex Head
20	05732	1	Capscrew 3/8-16 x 1-1/2 Hex Head
21	05851	1	Straight Adaptor #12 SAE to 3/4 Pipe Female
22	06548	1	Hex Nipple 1/4 to 1/8 Pipe
23	06725	1	Air Compressor - Atlas Copco LE-8
24	06726	1	Hydraulic Motor - Dowty 1M3072-A-PSJB
25	06727	1	Motor Mount
26	06728	1	Pilot Valve
27	06730	2	Side Frame
28	06731	1	Pilot Valve Mount Assembly
29	06732	1	Hose Assembly
30	06733	1	Hose Assembly
31	06734	1	Straight Adaptor #16 SAE to 3/4 Pipe Female
32	06735	2	End Frame
33	06736	4	Capscrew 5/16-18 x 2-1/4 Hex Head
34	06737	2	Compressor Support
35	06749	2	Pipe Tee 1/4 Pipe
36	06769	1	Coupling Flange - Magnalloy 300
37	06770	1	Coupling Flange Modified
38	06905	1	Tilt Indicator Assembly
39	01608	1	Steel Ball
40	02146	1	Capscrew 1/4-20 x 3/4 Hex Head
41	06902	1	Tilt Indicator Sticker

Compressor Lubrication:

This compressor has a ring type lubrication system consisting of a ring that rotates on the crankshaft. The ring feeds oil from the crankcase up to the crankshaft which distributes the oil. Maintain the oil level to the top of the sightglass located on the side of the crankcase. Use a good quality motor oil of SAE 10W viscosity grade; API classification code CD. The crankcase capacity is 0.79 gal (3 liter).

Seal Kit Part No. 07965 for Dowty Hydraulic Motor, includes 07963 Seal Kit and 07964 Seal.

STANLEY[®]
helps you do things right

Stanley Hydraulic Tools

Division of The Stanley Works

3810 S.E. Naef Road
Milwaukie, Oregon 97267
Phone: 503/659-5660
Telex: 360771