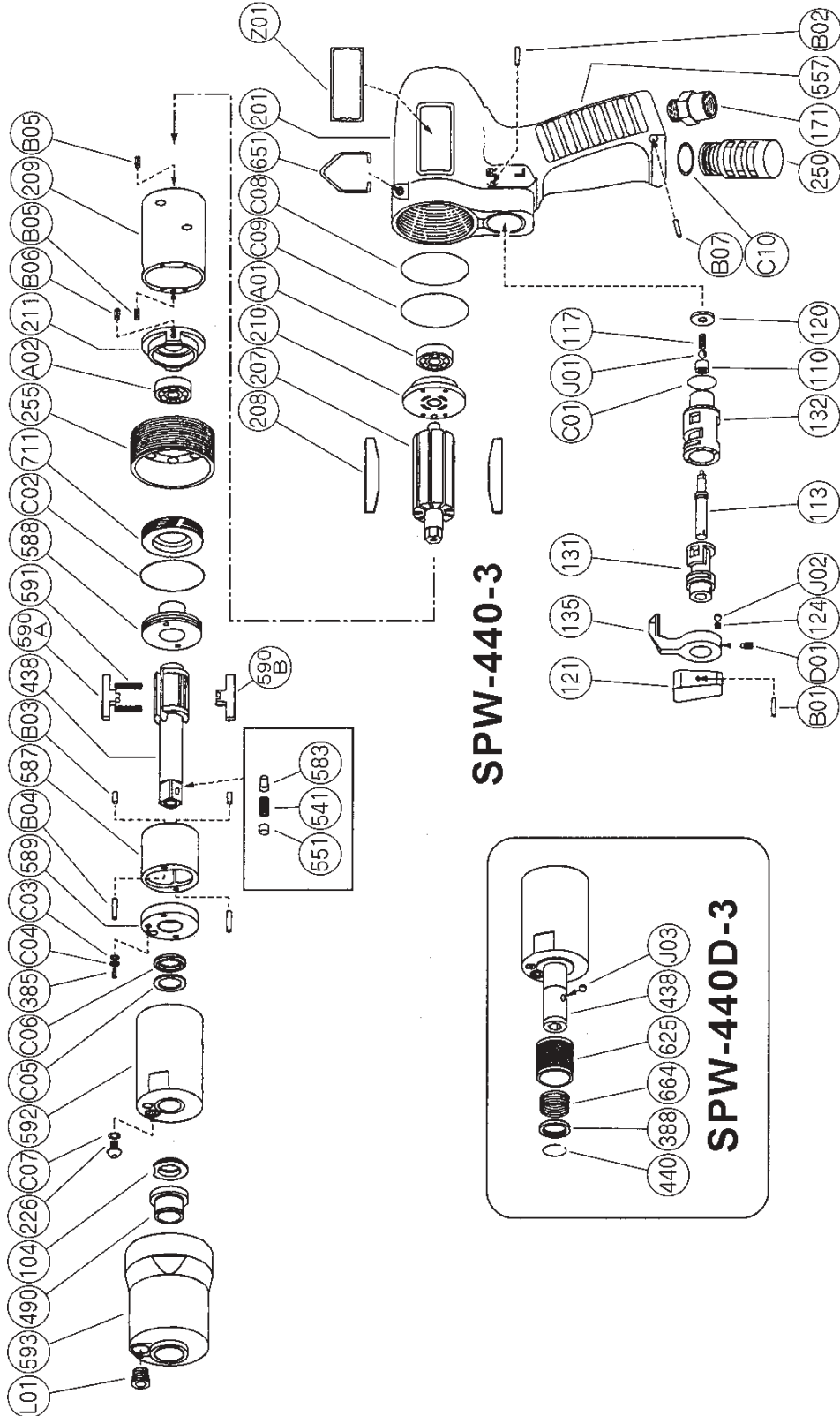




# PARTS LIST FOR PULSE TOOL

## SPW-440-3 PISTOL GRIP 3/8" SQ DRIVE

## SPW-440D-3 PISTOL GRIP 1/4" HEX



# SIoux TOOLS INC.

2901 FLOYD BOULEVARD ■ PO BOX 507 ■ SIOUX CITY, IOWA 51102-0507 USA ■

Printed In U.S.A.



# PARTS LIST FOR PULSE TOOL

## SPW-440-3 PISTOL GRIP 3/8" SQ DRIVE

## SPW-440D-3 PISTOL GRIP 1/4" HEX

Fig. No.	Part No.	Description
	601455	Ass'y Housing
<b>Includes the following parts:</b>		
110	601120	Throttle Valve
113	601121	Throttle Valve Rod
117	601122	Throttle Valve Spring
120	601123	Throttle Valve Cover
121	601108	Throttle Valve Lever
124	601109	Knock Spring
131	601124	Reverse Valve
132	601125	Reverse Valve Bushing
135	601110	Reverse Valve Lever
171	601445	Inlet Bushing (PT)
171	601446	Inlet Bushing (NPT)
201	601460	Housing
B01	601087	Spring Pin
B02	601021	Grooved Pin
C01	601055	"O" Ring
D01	601089	Set Screw
J01	601002	Urethane Ball
J02	601001	Ball
<hr/>		
	601458	Ass'y Oil Cylinder (SPW-440-3)
	601457	Ass'y Oil Cylinder (SPW-440D-3)
<b>Includes the following parts:</b>		
104	601107	Bushing
226	601094	Oil Plug
385	601433	Adjusting Screw
438	601465	Spindle (SPW-440-3) (Includes figures 541, 551, 583)
438	601464	Spindle (SPW-440D-3)
541	601104	Button Retainer Spring (SPW-440-3)
551	601105	Plug (SPW-440-3)
583	601106	Retainer Button (SPW-440-3)
587	601177	Oil Cylinder
588	601436	Oil Cylinder Upper Plate
589	601437	Oil Cylinder Lower Plate
590A	601178	Spindle Blade
590B	601179	Spindle Blade
591	601113	Blade Spring (2)*
592	601466	Cylinder Case
711	601440	Cylinder Cover
B03	601038	Needle Roller (2)*
B04	601037	Needle Roller (2)*
C02	601061	"O" Ring
C03	601062	"O" Ring

Fig. No.	Part No.	Description
C04	601015	Back Up Ring
C05	601012	Back Up Ring
C06	601046	"X" Ring
C07	601064	"O" Ring
<hr/>		
	601459	Assy Front Case
<b>Includes the following parts:</b>		
490	601434	Spindle Bushing
593	601467	Front Case
L01	601328	Plug
<hr/>		
<b>Common Parts:</b>		
207	601468	Rotor
208	601180	Rotor Blade (Set of 9)
209	601469	Cylinder (Includes figure B05)
210	601127	Cylinder Upper Plate
211	601181	Cylinder Lower Plate (Includes figure B06)
250	601470	Exhaust Cover
255	601111	Motor Fastening Nut
388	601500	Spring Holder (SPW-440D-3)
440	601501	Ring (SPW-440D-3)
557	601129	Rubber Protector
625	601502	Bit Cover (SPW-440D-3)
651	601102	Hanger
664	601416	Finder Spring (SPW-440D-3)
A01	601009	Ball Bearing
A02	601010	Ball Bearing
B05	601085	Spring Pin (2)*
B06	601084	Spring Pin
B07	601429	Spring Pin
C08	601066	"O" Ring
C09	601066	"O" Ring
C10	601323	"O" Ring
J03	601001	Ball
Z01	601417	Name Plate for SPW-440-3
Z01	601412	Name Plate for SPW-440D-3
<hr/>		
<b>Not Shown:</b>		
	601283	Wrench Hex 1.5mm
	601421	Wrench Hex 5mm
	601327	Driver Bit (75mm) (SPW-440D-3)
	601503	Warning Label

\*Order Quantity As Required

**FURNISH CATALOG, SERIAL, AND MODEL NUMBER WHEN ORDERING PARTS**



2901 FLOYD BOULEVARD ■ PO BOX 507 ■ SIOUX CITY, IOWA 51102-0507 USA ■

Printed In U.S.A.