

Service Manual

Cordless Impact Driver
EY6588

SPECIFICATIONS

DRIVER

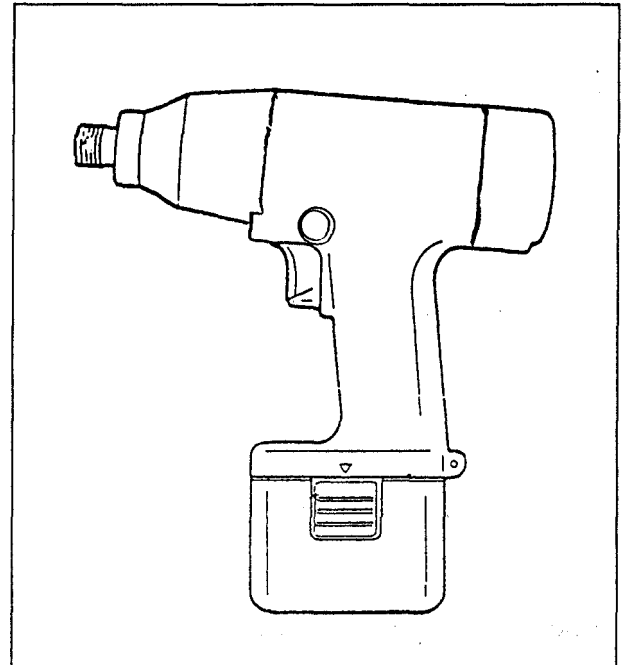
Motor voltage	: 9.6V DC
No load speed	: 0 ~ 2200 min ⁻¹ (RPM)
Impact per Minute	: 0 ~ 3300 Impact/Min.
Maximum torque	: 73.5Nm (750kg-cm, 650in.lbs.)
Overall length	: 175mm (6-7/8")
Mass (Weight)	: 1.35kg (2.97lbs.)
(with battery pack)	

BATTERY PACK

Storage battery	: Ni-Cd battery
Battery voltage	: 9.6V DC (1.2V × 8 cells)
Battery Capacity	: 1200mAh

BATTERY CHARGER

Input	: 120, 230, 240V AC
	separately available
Mass (Weight)	: 0.66kg (1.45lbs.)
Charging time	: Approx. 15 min.



STANDARD EQUIPMENT

Battery charger , Battery pack , Phillips bit #2 (65mm)

CONTENTS

	Page
▪ Specifications	1
▪ Disassembly & Assembly Instructions	2 - 3
▪ Wiring Connection Diagram	4
▪ Schematic Diagram	4
▪ Troubleshooting	5 - 6
▪ Exploded View	7
▪ Replacement Parts List	8

⚠ WARNING

This service literature is designed for experienced repair technicians only and is not designed for use by the general public. It does not contain warnings or cautions to advise non-technical individuals of potential dangers in attempting to service a product. Products powered by electricity should be serviced or repaired only by experienced professional technicians. Any attempt to service or repair the product or products dealt with in this service information by anyone else could result in serious injury or death.

Panasonic

© 1995 Matsushita Electric Works, Ltd.
All rights reserved. Unauthorized copying and distribution is a violation of law.

DISASSEMBLY / ASSEMBLY INSTRUCTIONS

Ref. No. 1

Procedure 1A

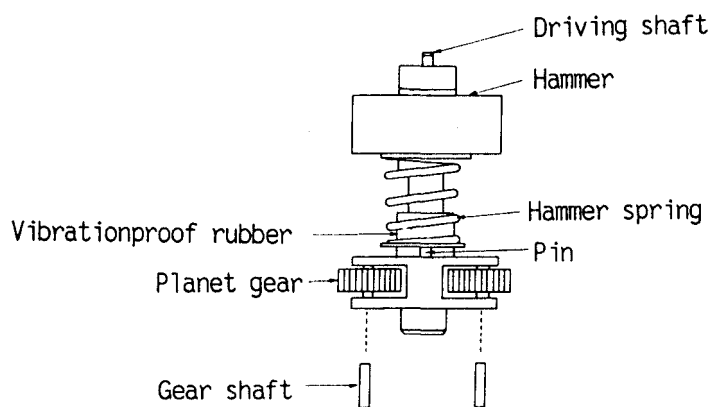
Removal of the housings.

1. Remove 2 screws for each cover of driving block, case cover and 8 screws for housing.

Ref. No. 2

Procedure 1A → 2

Removal of the driving block.

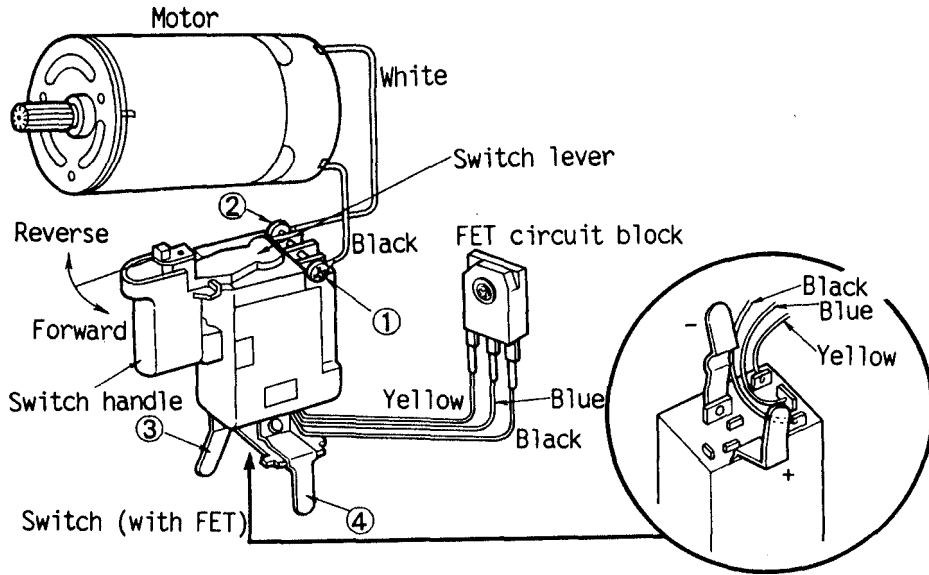


1. Remove the 2 set of planet gear and gear shaft by lightly tapping it on the desk.

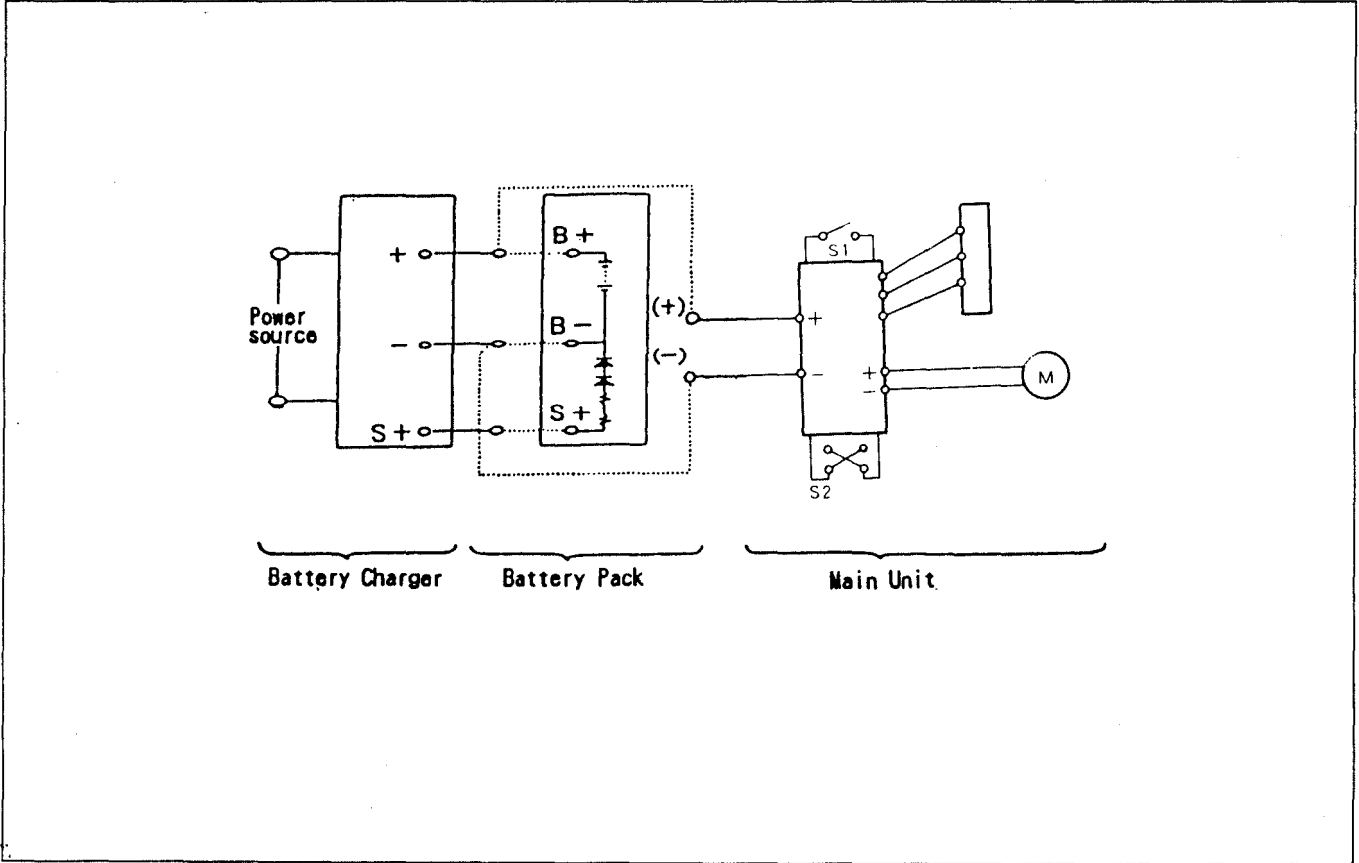
Ref. No. 3	Procedure 1B	Removal or attachment of the battery charger.
	<p>(Removal of the battery charger.)</p> <ol style="list-style-type: none">1. Remove 4 housing screws.	<p>(Attachment for the battery charger.)</p> <ol style="list-style-type: none">2. Reassemble the module block (power cord, power transformer, and module) to housing A, be certain that LED appears through the hole in housing A.3. Set the bushing for power cord to the housing A. <p>NOTE : Avoid pinching lead wires, dress into housing recess and around screw posts etc.</p> <ol style="list-style-type: none">4. After assembly, test for proper voltage. Measure the battery terminals between (S) and (-). It is OK, if it is approx. 3V DC.

WIRING CONNECTION DIAGRAM

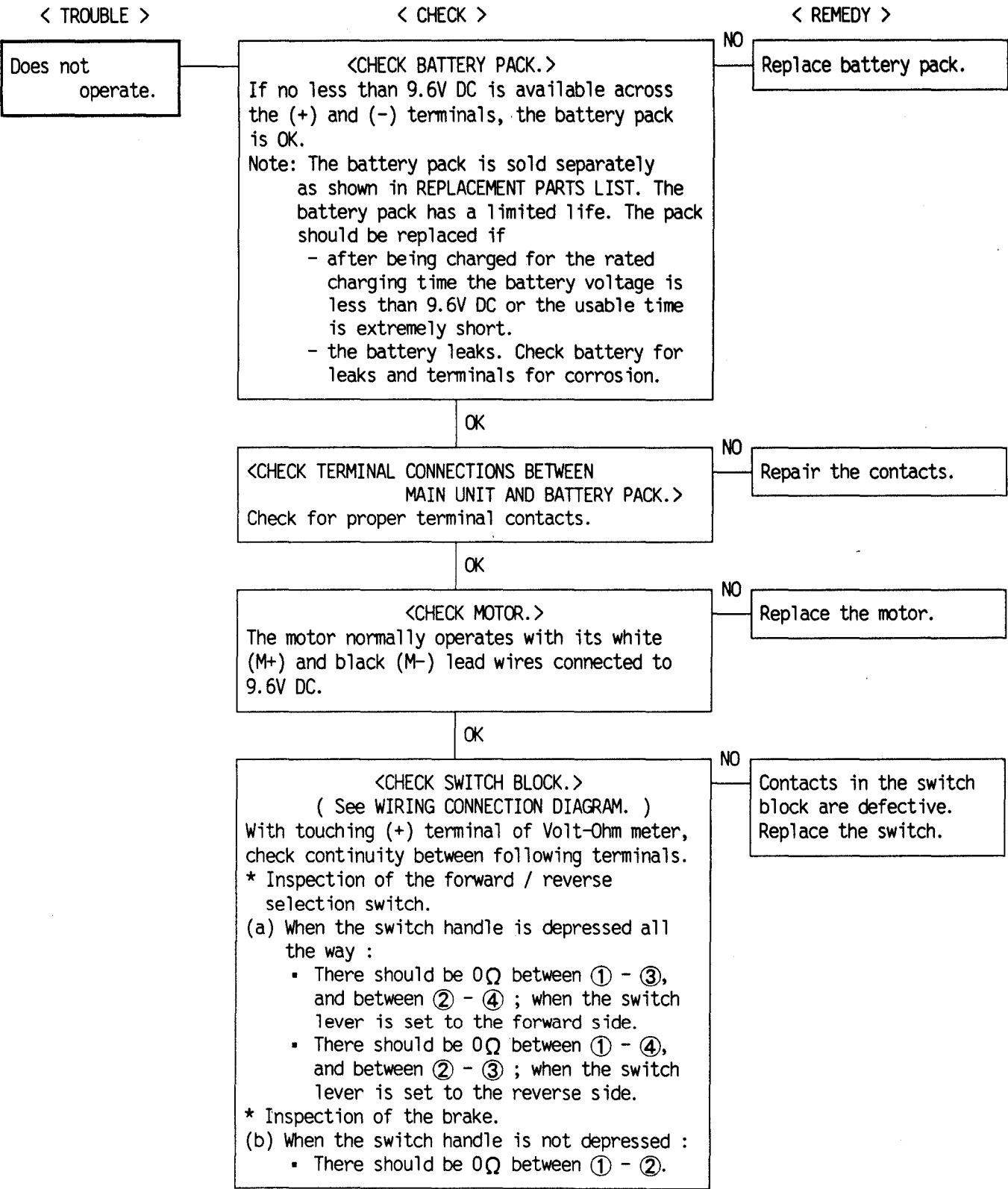
■ Main unit



SCHEMATIC DIAGRAM



TROUBLESHOOTING GUIDE (Refer to WIRING CONNECTION DIAGRAM)

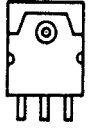


Speed control or brake does not work.

<CHECK SWITCH BLOCK.>
 Check the lead wire terminals when the FET circuit block is attached to the switch block.
 * FET circuit block is weak against the static electricity.

NO
 Replace the switch & FET block.

FET circuit block



ⓈBlack
 ⓈBlue
 ⓈYellow

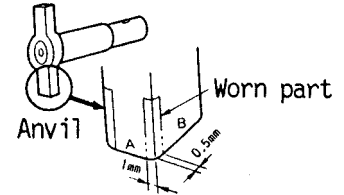
	tester		measurement value
	(+)	(-)	
terminal	(D)	(G)-(S) short circuit	∞
	(G)-(S) short circuit	(D)	few resistance

* The resistance value may be some differences depend on the measurement range.

Weakness of the impact.

* Check the battery pack or the motor before checking the anvil.
<CHECK ANVIL.>
 Check the condition of the anvil.
 If no less than 1mm from the corner at the A side or 0.5mm from the corner at B side is showing wear, the anvil is OK.

NO
 Replace the anvil block.



Does not charge.

<CHECK POWER CORD.>
 Check continuity.

NO
 Replace power cord.

OK
NOTE: Loose connection are possible.
 Check for loose capacitor. If so, resolder.
 Check for loose choke (coil). If so, resolder.

<CHECK FUSES.>
 Fuses should be clear. If fuses are blown, replace with new fuses.

NO
 Replace fuses.

OK

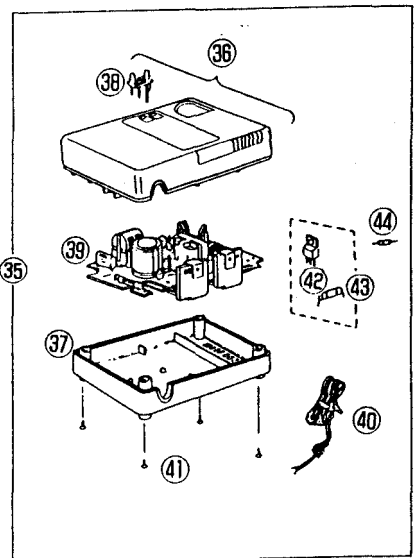
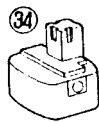
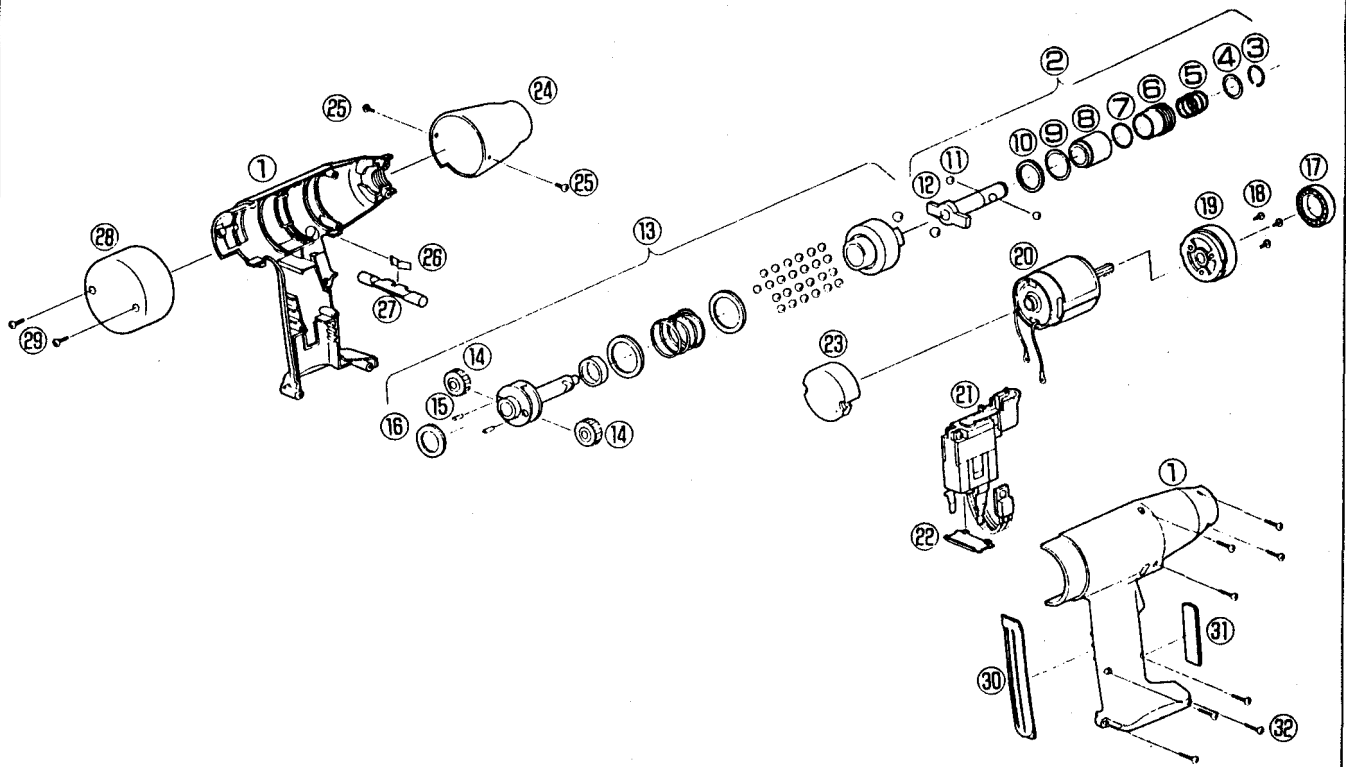
<CHECK MODULE.>
 Check the lamp indication of the battery charger.

NO
 Replace module in the charger.

Charging lamp Red Flashing	Charger is plugged into power source. Ready to charge.
	— Lit	Now charging.
 Flashing quickly	Charging is completed.
Standby lamp Orange	— Lit	Battery pack is warm. Charging will begin when temperature of battery pack drops.
 Flashing	Charging is not possible. Clogged with dust or malfunction of the battery pack drops.

Possibly foreign matter in the charger's battery pack socket, or a malfunction of the battery pack.

EXPLODED VIEW



REPLACEMENT PARTS LIST

Note : *A ... available as an optional accessory

*C ... available individually

*B ... only available as set

Ref No.	Parts No.	Parts Name & Descriptions	Per set	Remarks
1	EY6588K3078	HOUSING AB SET	1	
2	EY6581L1107	ANVIL BLOCK	1	
3	EY574B1167	C-TYPE RING	1	
4	EY574B0857	THRUST PLATE	1	
5	EY6600B0197	HOLDER SPRING	1	
6	EY6600B3717	BIT HOLDER	1	
7	EY6602K0977	O-RING	1	
8	EY6581L0387	HOLDER COLLAR	1	
9	EY6581L0318	CUSHION	1	
10	EY6602K0637	THRUST RING	1	
11	EY507B6957	STEEL BALL A	25	*B
12	EY6581L1127	ANVIL	1	
13	EY6581L1067	DRIVING BLOCK	1	
14	EY6600B1357	PLANET GEAR	2	*B
15	EY6602K1347	GEAR SHAFT	2	*B
16	EY574B0847	THRUST PLATE B	1	
17	EY6581L4957	COLLAR	1	
18	EY6581L6098	SCREW	3	*C
19	EY6581L0027	MOTOR MOUNTING PLATE	1	
20	EY6588L1008	MOTOR	1	
21	EY6588Y2008	SWITCH BLOCK	1	
▲	22 EY6481L0207	DUST PREVENTIVE PLATE	1	
23	EY6481L2567	RADIATING PLATE (W/SCREW)	1	
24	EY6581H0547	DRIVING COVER	1	
25	EY6605K6077	SCREW	2	*C
▲	26 EY6481L0177	CLICK SPRING	1	
▲	27 EY6481H3247	SELECTOR HANDLE	1	
28	EY6481H3108	HOUSING COVER	1	
29	EY6261B9057	TAPPING SCREW	2	*C
30	EY6481H3937	GRIP B	1	
31	EY6481H3947	GRIP A	1	
32	EY6605K9037	SCREW	8	*C
33	EY574B7927	PHILLIPS BIT #2	1	
34	EY9086	BATTERY PACK	1	*A
35	EY0202	BATTERY CHARGER	1	*A
36	EY0202B3098	HOUSING A FOR CHARGER	1	
37	EY0202B3028	HOUSING B FOR CHARGER	1	
38	EY0200C0547	LAMP COVER	1	
39	EY0202B2128	MODULE	1	
40	EY0202B2058	POWER CORD	1	
41	EY0001B6237	TAPPING SCREW FOR CHARGER	4	*C
42	EY0202B5258	FUSE	1	
43	EY0202B5028	FUSE & FET SET	1	
44	EY0202B5098	ZENER DIODE	1	