

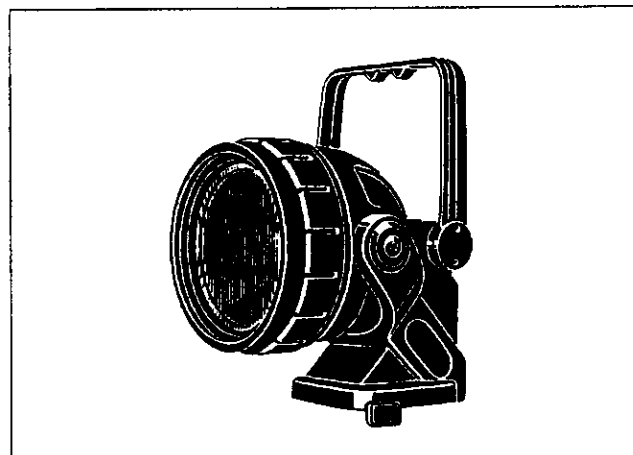
Service Manual

Lantern

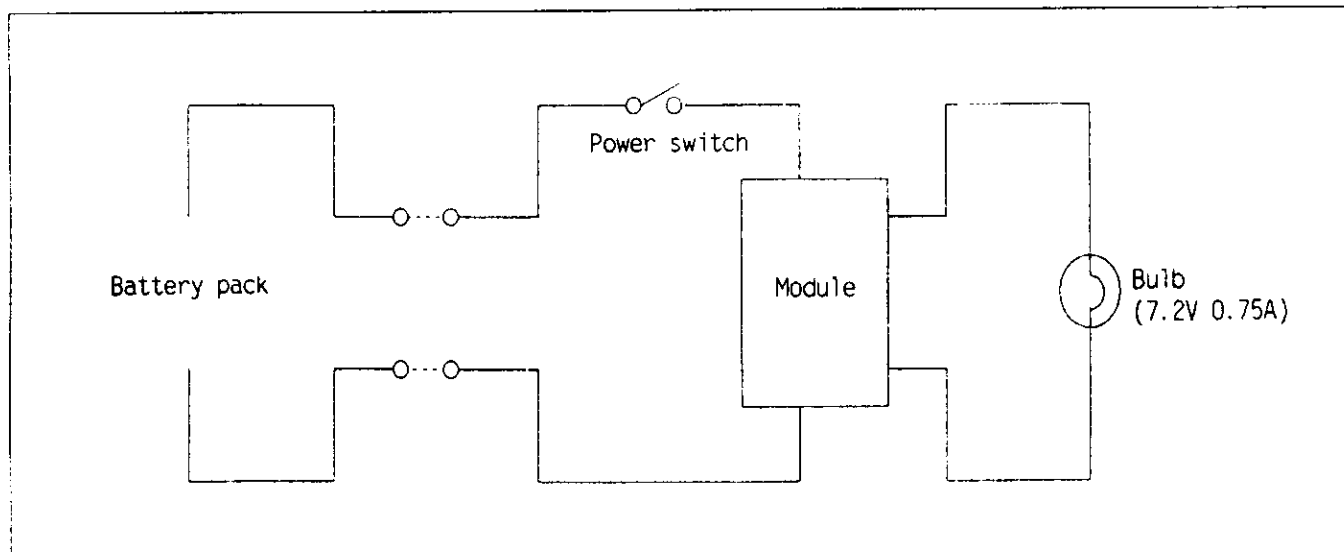
EY3790

<Specifications>

Bulb	: Xenon bulb (7.2V, 0.75A)
Brightness	: Approx. 5000lux
Dimensions	: 155(D) × max. 205(H) × 143(W)mm (excluding the battery pack)
Weight	: Approx. 0.4kg (excluding the battery pack)



SCHEMATIC DIAGRAM



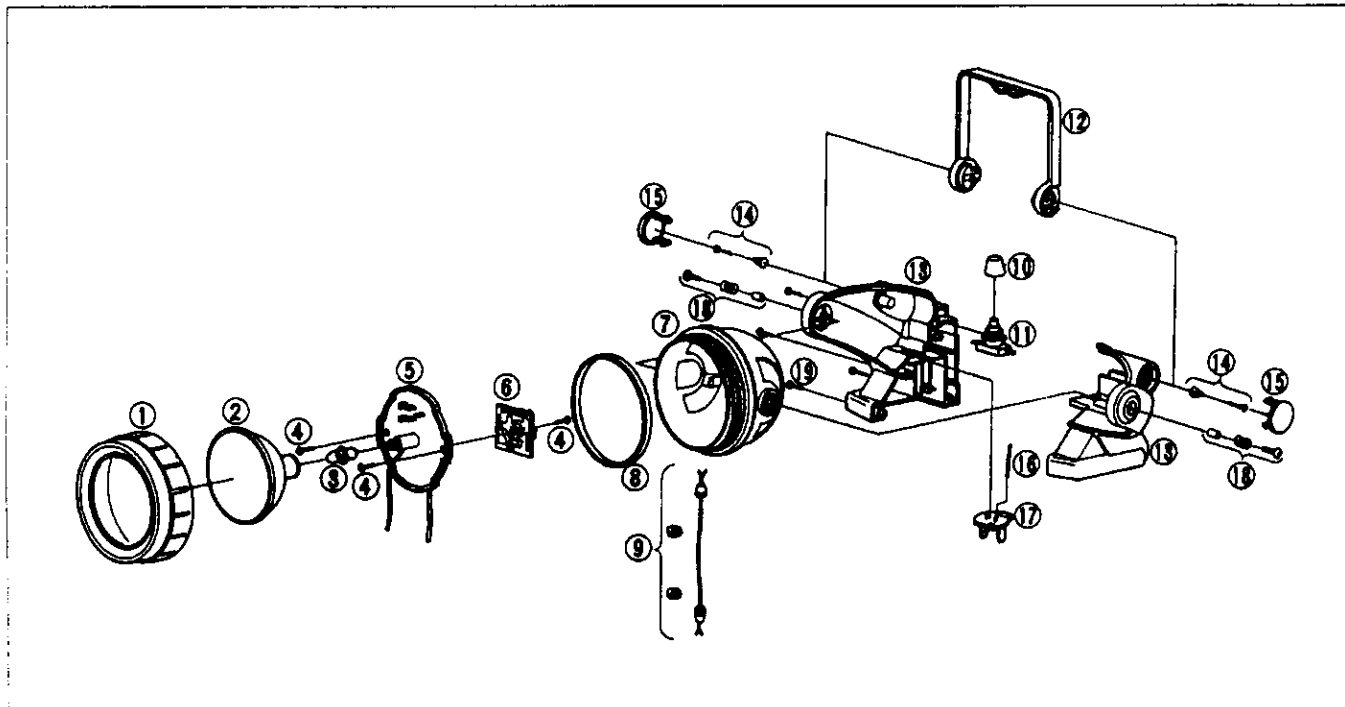
⚠ WARNING

This service literature is designed for experienced repair technicians only and is not designed for use by the general public. It does not contain warnings or cautions to advise non-technical individuals of potential dangers in attempting to service a product. Products powered by electricity should be serviced or repaired only by experienced professional technicians. Any attempt to service or repair the product or products dealt with in this service information by anyone else could result in serious injury or death.

Panasonic

© 1994 Matsushita Electric Works, Ltd.
All rights reserved. Unauthorized copying and distribution is a violation of law.

EXPLODED VIEW



REPLACEMENT PARTS LIST

Ref. No.	Part No.	Part Name & Descriptions	Per set	Remarks
1	EY3790K0547	SHADE	1	
2	EY3790S3757	REFLECTOR	1	
3	EYMB-72P75X	BULB	2	
4	EY6261B9057	TAPPING SCREW (K3-10)	3	
5	EY3790L2587	LAMP HOLDER BASE	1	
6	EY3790L2107	MODULE	1	
7	EY3790K3057	LAMP CASE	1	
8	EY3790K0797	O-RING	1	
9	EY3790L2897	JUNCTION CORD	1	
10	EY3790K3257	SWITCH CAP	1	
11	EY3790L2007	POWER SWITCH	1	
12	EY3790K3247	HANDLE	1	
13	EY3790K3077	HOUSING AB SET	1	
14	EY3790L0167	SPRING/SCREW SET	2	
15	EY3790K3447	SCREW CAP	2	
16	EY3790L2967	LEAD WIRE (RED)	1	
17	EY3790L2157	TERMINAL PLATE	1	
18	EY3790K0177	SPRING/COLLAR/SCREW SET	2	
19	EY3790K9037	TAPPING SCREW (K3-20)	4	
-	EY3790K8008	INDIVIDUAL BOX	1	
-	EY3790K8108	INSTRUCTION MANUAL	1	