

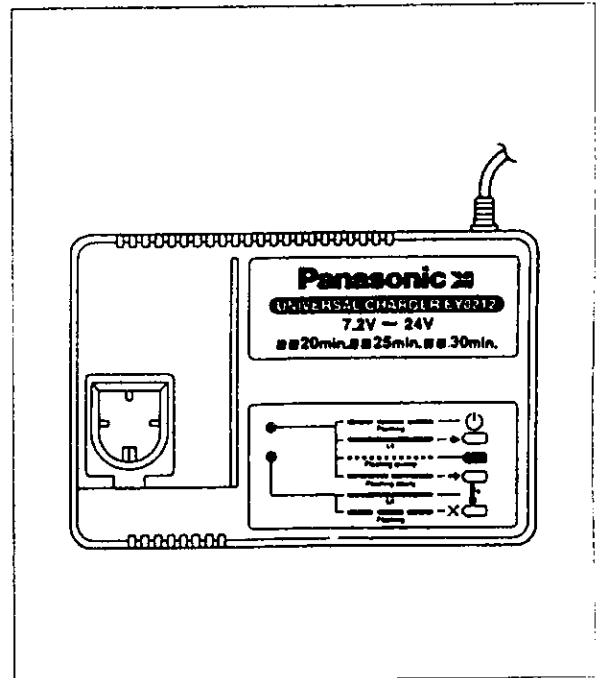
# Service Manual

Battery charger

EY0212

## SPECIFICATIONS

Input	: 120V AC
Output	: 7.2V - 24V DC
Weight	: 1.7kg (3.8lbs)



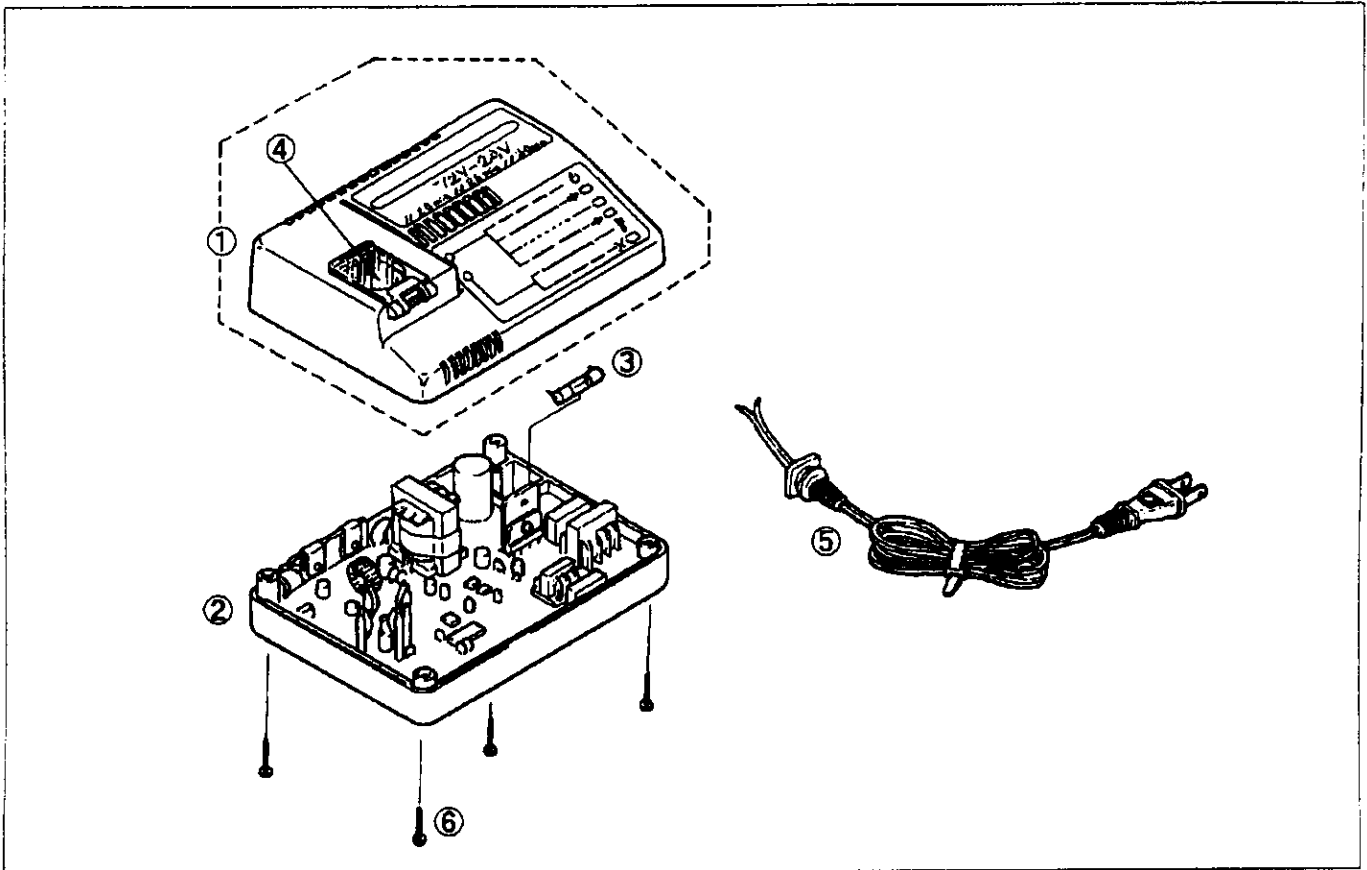
### ⚠ WARNING

This service literature is designed for experienced repair technicians only and is not designed for use by the general public. It does not contain warnings or cautions to advise non-technical individuals of potential dangers in attempting to service a product. Products powered by electricity should be serviced or repaired only by experienced professional technicians. Any attempt to service or repair the product or products dealt with in this service information by anyone else could result in serious injury or death.

# Panasonic

© 1997 Matsushita Electric Works, Ltd.  
All rights reserved. Unauthorized copying and distribution is a violation of law.

EXPLODED VIEW

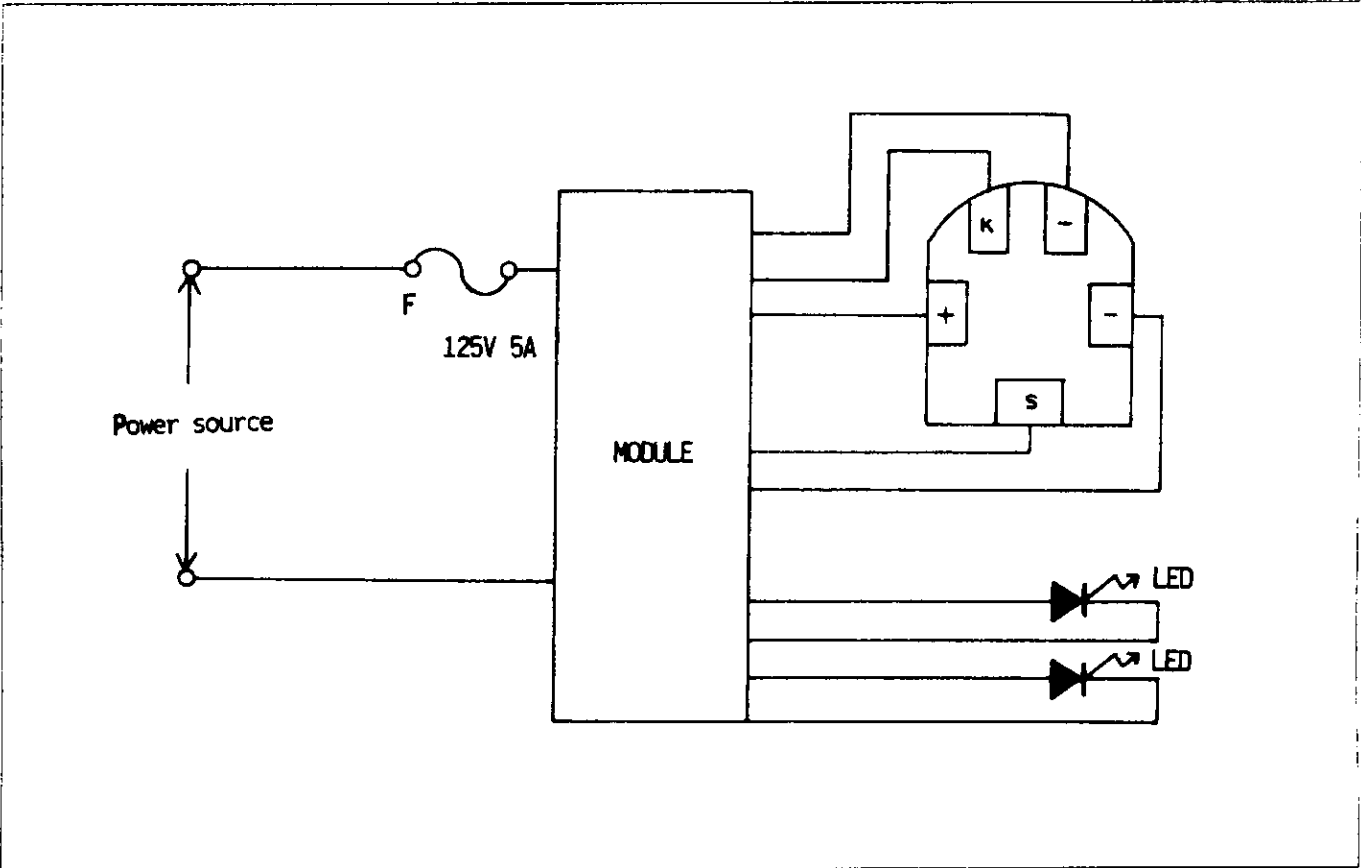


REPLACEMENT PARTS LIST

NOTE : \*A . . . available as an optional accessory  
 \*B . . . only available as set  
 \*C . . . available individually

Ref. No.	Part No.	Part Name & Descriptions	Per unit	Remarks
1	EY0212K3098	HOUSING A	1	
2	EY0212K2128	MODULE W/HOUSING	1	
3	EY0212L5258	FUSE	1	
4	EY0212X3098	COVER	1	
5	EY0212K2058	POWER CORD	1	
6	EY0217K6237	SCREW	4	*C
-	EY0212K8108	OPERATING INSTRUCTIONS	1	

SCHMATIC DIAGRAM



# TROUBLESHOOTING GUIDE

< TROUBLE >

< CHECK >

< REMEDY >

Does not charge.

<CHECK POWER CORD.>  
Check continuity.

NG

Replace power cord.

If there is continuity.

<CHECK FUSE.>  
\* Check the fuse if it burns out.  
\* The case of defective fuse even though the fuse is replaced new one, the module might be defective.

If the fuse burns out.

Replace fuse.

Replace module.

If the fuse does not burn out.

<CHECK MODULE.>  
Check the lamp indication of the battery charger.

NG

Replace module.

