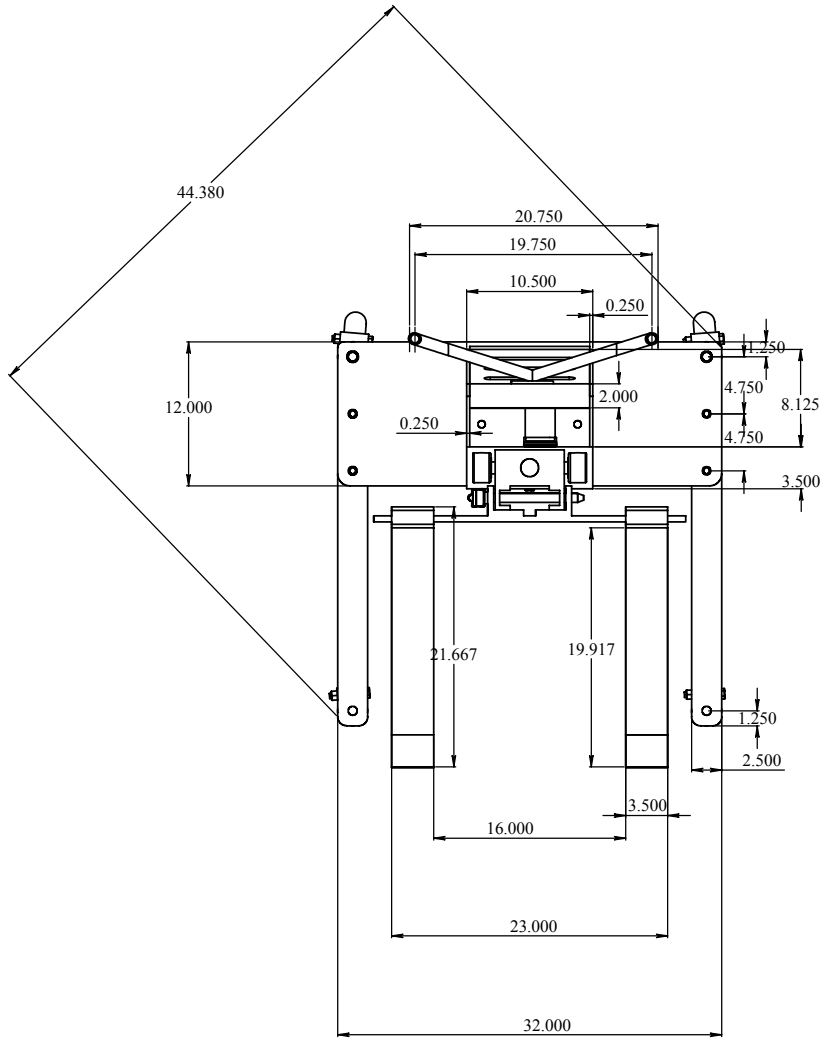
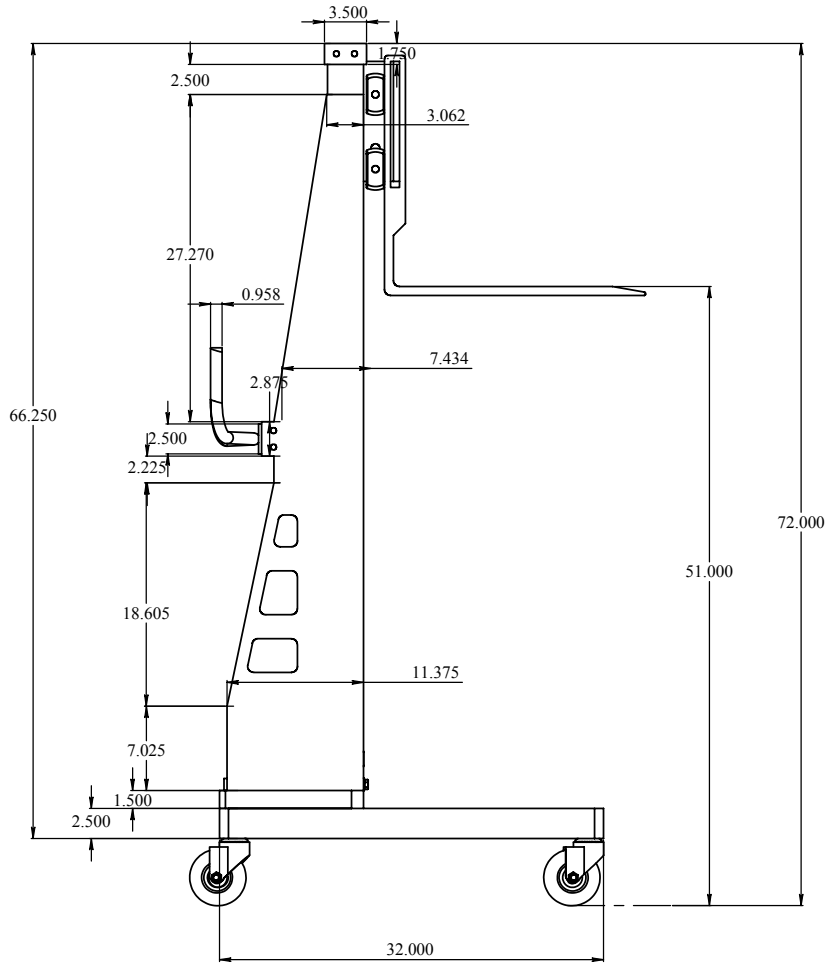


REV	DATE	DESCRIPTION	BY	APP'D



REV	DESCRIPTION	DATE	APPROVAL

