

INSTALLATION AND REPAIR PARTS for HEK-1, HEK-2 AND HEK-3 ECOLOGY KITS

Always install, inspect and maintain this Ecology Kit in accordance with American National Standards Institute Safety Code (ANSI B30.11, B30.16) and any other applicable safety codes and regulations.

READ ALL INSTRUCTIONS BEFORE INSTALLING, OPERATING OR REPAIRING THESE ECOLOGY KITS.

OPERATION

These Ecology Kits are used to remove air line contaminants from the air exhaust, thus providing a cleaner working environment. Also, these kits lower sound levels on piston motor trolleys to help comply with OSHA standards, thereby adding to an operator's comfort. The Kits include a filter, muffler and other required hook-on parts. **Note:** These Kits can be mounted in-line or at 90° to the hoist axis.

INSTALLATION

Make sure your Ecology Kit is properly installed. Follow the instructions listed.

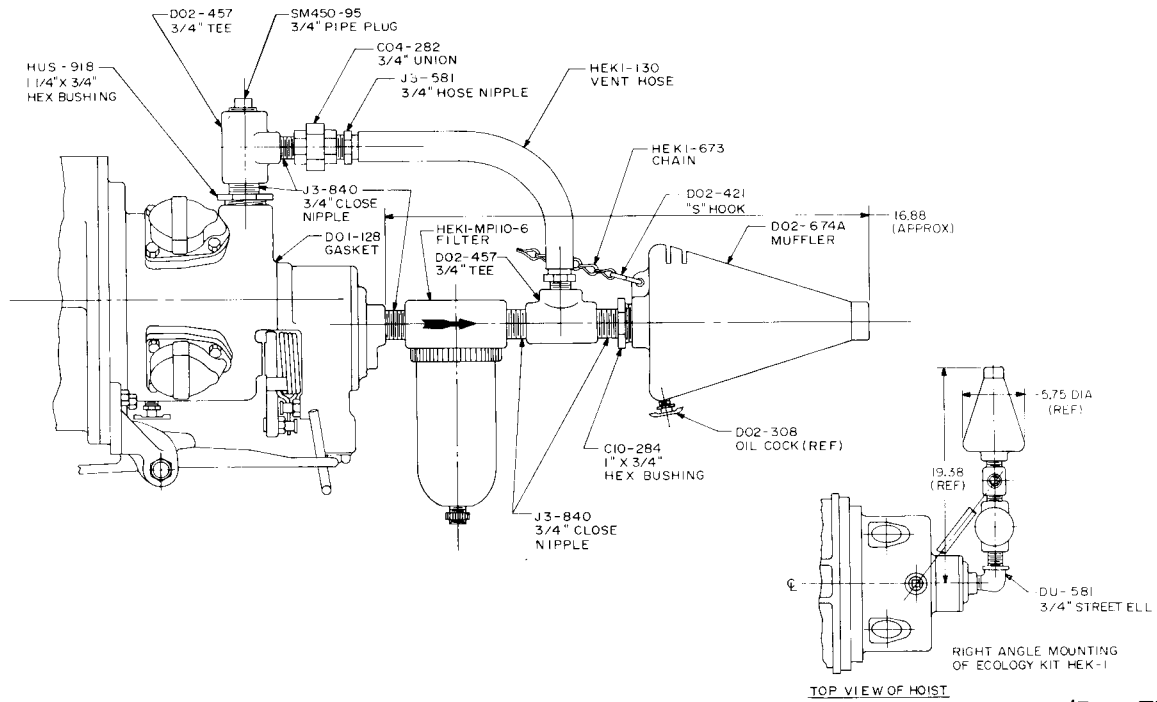
1. Remove any load, shut off the air supply to the hoist and trolley and disconnect the air lines before attempting any installation or repair of these Kits.
2. See pages 2 and 3 for the correct application of the Ecology Kit and install as shown. **Note:** The HEK-1 and HEK-2 Kits are furnished with a Street Ell (19) for mounting at a right angle to the centerline.
3. The HEK-3 Kit is normally mounted at a right angle to the centerline. However, an additional Street Ell (20) is furnished with this Kit so that it can be mounted at a double right angle. **Note:** On "A" and "B" Hoists, the 3/8" (9.5 mm) diameter hose (24) and related fittings are not required. Plug the Pipe Tee (17) with the 3/4" NPT Pipe Plug (4) provided with the Kit.
4. You may find in certain applications, that all the parts provided in the Kit are not used.
5. After installing the Kit, insert the S-Hook (10) in the hole in the muffler and attach it to the chain. Crimp both ends of the S-Hook. Install the other S-Hook to the other end of the chain and attach it to the top of the motor valve chest or any other appropriate place. Crimp both ends of the S-Hook.

Refer All Communications to the Nearest
Ingersoll-Rand Office or Distributor.

© Ingersoll-Rand Company 1984

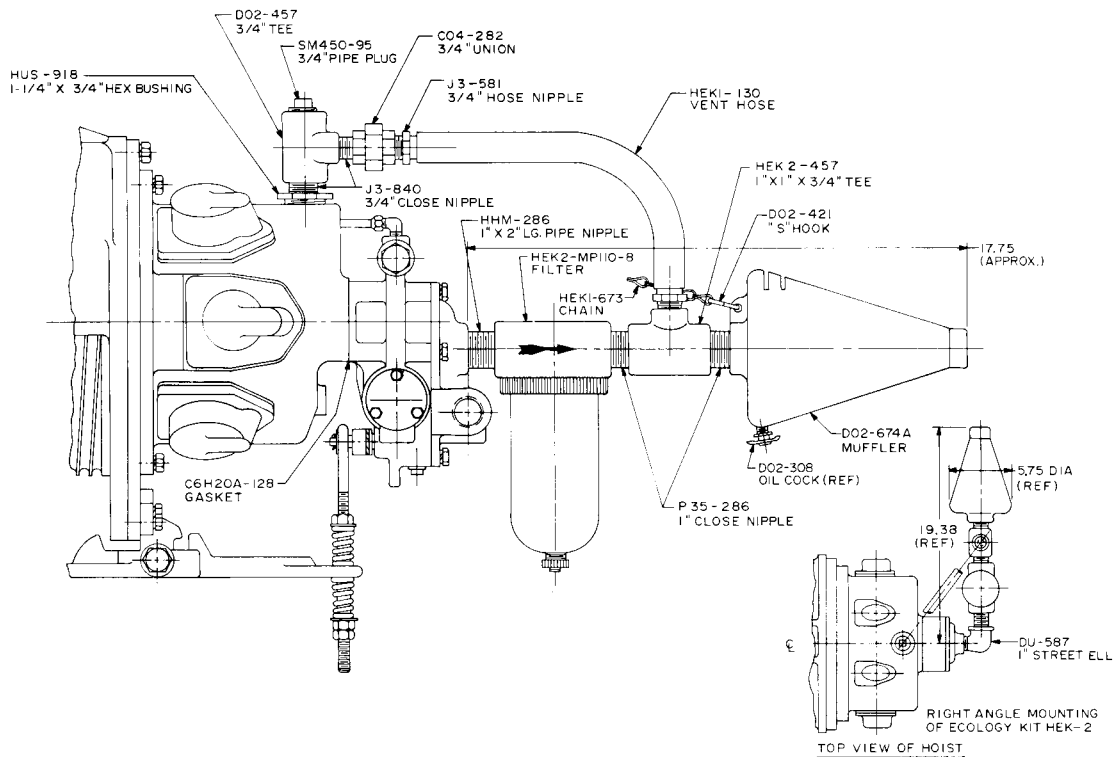
Printed in U.S.A.

INGERSOLL-RAND®
AIR HOISTS



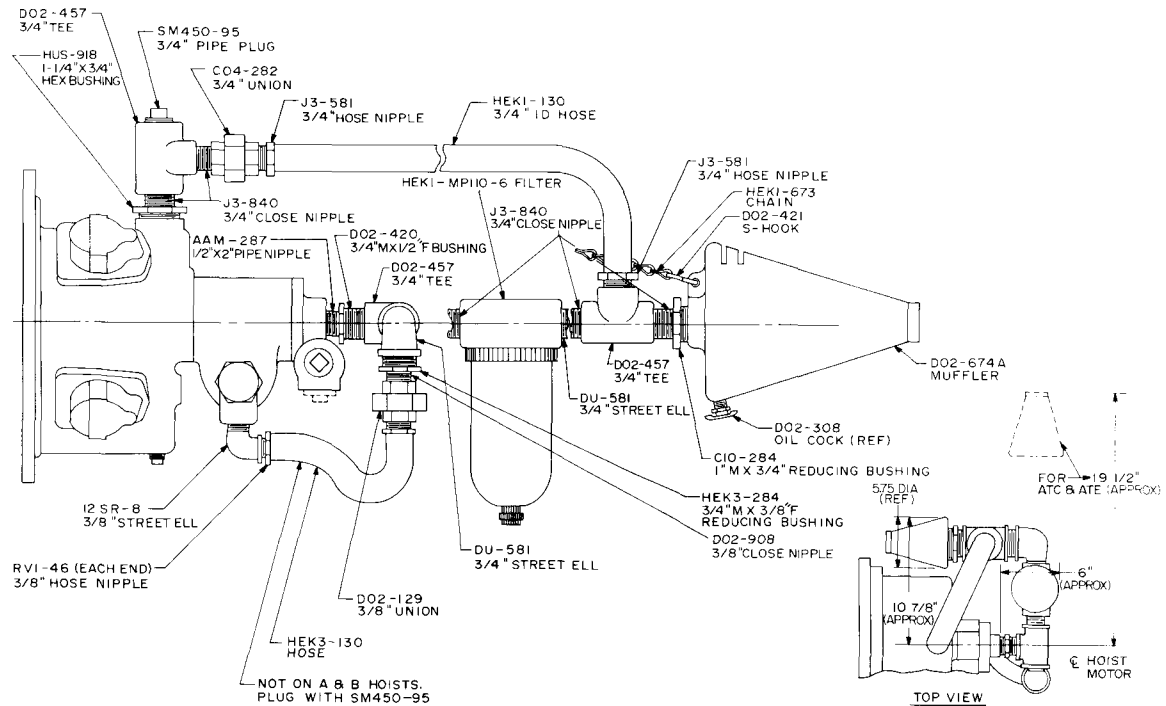
(Dwg. TPB763)

**HEK-1 Ecology Kit for A and B Hoists,
AAPM, CCPM Motors and ATC, ATE Trolleys with Pull Chain Control**



(Dwg. TPB764)

**HEK-2 Ecology Kit for C6, D6, G Hoists
with Pull Chain and Pendent Control**



(Dwg. TPB765)

**HEK-3 Ecology Kit for A and B Hoists,
AAPM, CCPM Motors and ATC, ATE Trolleys with Pendent Control**

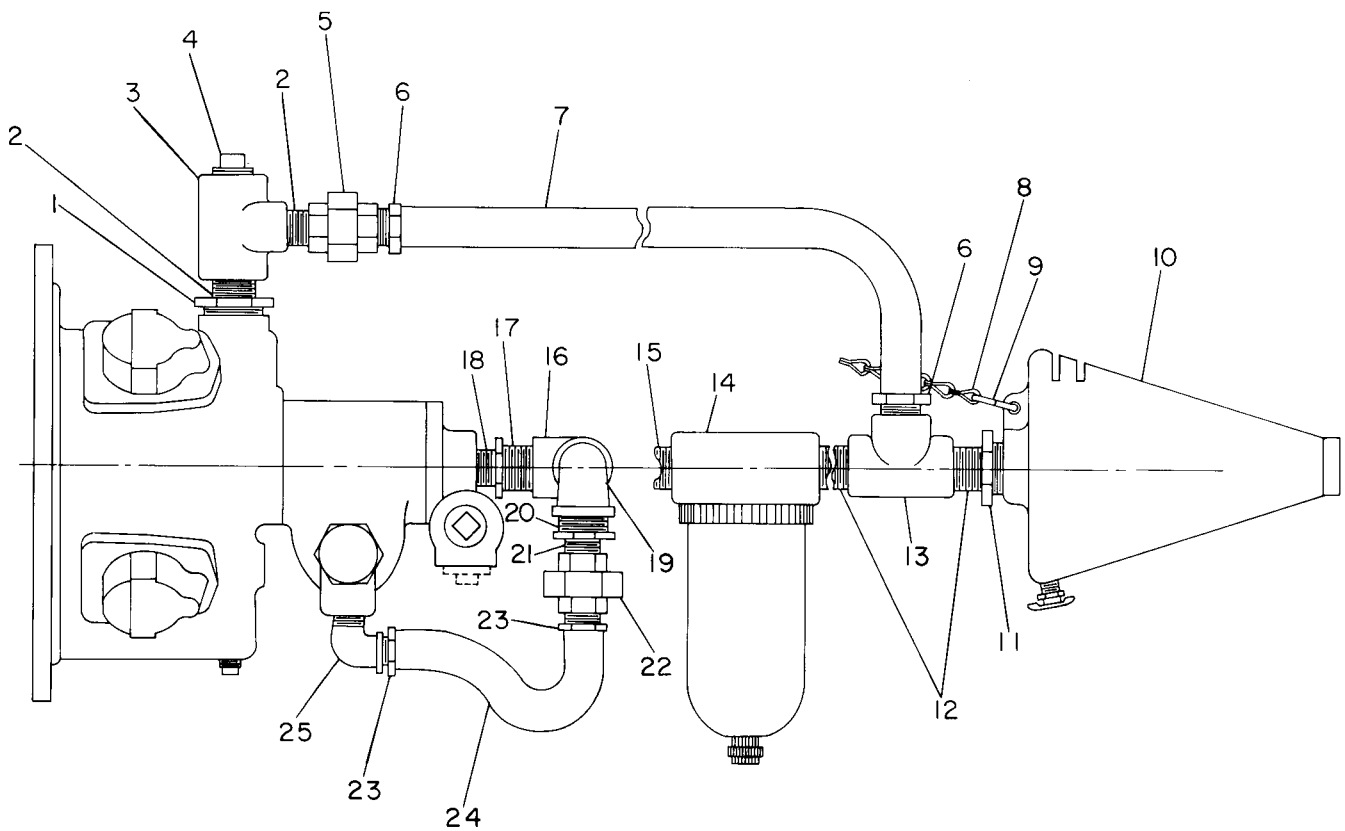
HOW TO ORDER REPAIR PARTS FOR YOUR ECOLOGY KIT

Your Ecology Kit is designed and constructed to give you long, troublefree service. In time it may become necessary to order and install new parts to replace those that have been subjected to wear. For prompt service and genuine Ingersoll-Rand parts, place orders with your nearest Ingersoll-Rand Distributor. The use of other than genuine Ingersoll-Rand replacement parts may result in decreased performance, and may invalidate all warranties.

When ordering parts, give your Distributor the following data:

1. Complete model number of Hoist or Trolley as it appears on the nameplate.
2. Complete part number, part description and quantity needed as shown on page 4.

If it becomes necessary to return the complete Kit or certain parts to the factory, consult the Distributor from whom you purchased the Kit or the nearest Ingersoll-Rand Distributor in your locality.



(Dwg. TPB762)

PART NUMBER FOR ORDERING →

PART NUMBER FOR ORDERING →

1	Reducing Bushing (1-1/4" x 3/4" NPT)	HUS-918	14	Filter for HEK-1 and HEK-3	HEK1-MP110-6
2	Pipe Nipple (3/4" NPT) (2)	J3-840		for HEK-2	HEK2-MP110-8
3	Pipe Tee (3/4" NPT)	D02-457	15	Pipe Nipple for HEK-1 and HEK-3	
4	Pipe Plug (3/4" NPT) (2)	SM450-95		(3/4" NPT)	J3-840
5	Pipe Union (3/4" NPT)	C04-282		for HEK-2 (1" NPT)	HHM-286
6	Hose Nipple (3/4") (2)	J3-581	■ 16	Pipe Tee (3/4" NPT)	D02-457
7	Hose (3/4" I.D.)	HEK1-130	17	Reducing Bushing (3/4" M x 1/2" F NPT)	D02-420
8	Chain	HEK1-673	■ 18	Pipe Nipple (1/2" x 2" NPT)	AAM-287
9	S-Hook (3)	D02-421	■ 19	Street Ell (3/4" NPT)	DU-581
10	Muffler	D02-674A	■ 20	Reducing Bushing (3/4" M x 3/8" F NPT)	HEK3-284
11	Reducing Bushing (for HEK-1 and HEK-3 Kits only) (1" M x 3/8" F).	C10-284	■ 21	Pipe Nipple (3/8" NPT)	D02-908
12	Pipe Nipple (2) for HEK-1, HEK-3 (3/4" NPT)	J3-840	■ 22	Pipe Union (3/8" NPT)	D02-129
	for HEK-2 (1" NPT)	P35-286	■ 23	Hose Nipple (3/8" NPT) (2)	RV1-46
13	Pipe Tee for HEK-1 and HEK-3 (3/4" NPT)	D02-457	■ 24	Hose	HEK3-130
	for HEK-2 (1" x 1" x 3/4" NPT)	HEK2-457	■ 25	Street Ell (3/8" NPT)	12SR-8

■ Parts included in the HEK-3 Kit only, but are not required for the "A" and "B" Hoists.