

INSTALLATION AND REPAIR PARTS for TA-K852A TROLLEY ADAPTER KIT

Capacity $\frac{1}{4}$ To 1 Metric Ton (550 To 2200 lbs.)

WARNING

This Trolley Adapter Kit is limited to lifting 2200 lbs. (1000 kg).

Always install, inspect and maintain this Trolley Adapter Kit in accordance with American National Standards Institute Safety Code (ANSI B30.11, B30.16) and any other applicable safety codes and regulations.

READ ALL INSTRUCTIONS BEFORE INSTALLING, OPERATING OR REPAIRING THIS TROLLEY ADAPTER KIT.

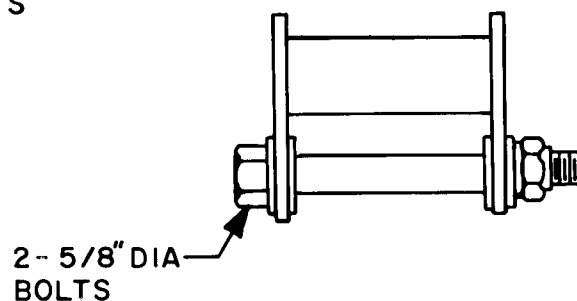
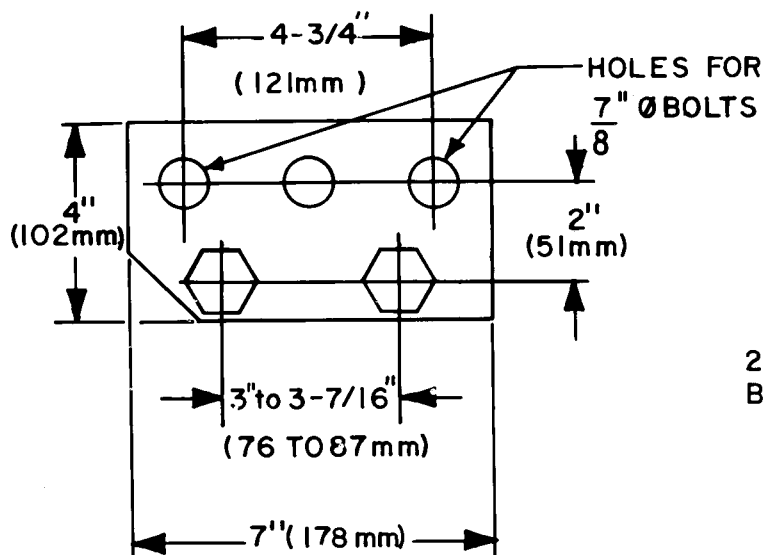
OPERATION

This Trolley Adapter Kit is used to adapt Ingersoll-Rand Models A, B, ML250K, ML500K, ML100K or HL1000K Hoists for use with the Series TP3A Plain Rigid Trolleys or Series ATC, TA3A Powered Trolleys.

INSTALLATION

Make sure your Trolley Adapter Kit is properly installed. Follow the instructions listed.

1. Remove any load, shut off the air supply to the hoist and trolley and disconnect the air lines before attempting any installation or repair of this Kit.
2. See page 2 for the correct application of a Trolley Adapter Kit and install as shown.
3. Tighten the $\frac{5}{8}$ "-11 UNC x 6" Bolts (3) to 150 ft-lb (203 N m) torque.
4. The number of Washers $\frac{5}{8}$ " (5) and $\frac{7}{8}$ " (6) between the Adapter Side Plates (1) and the mounting lug on the hoist and also between the side plates and the trolley flange must be the same in order to keep the hoist centered under the beam.
5. Adjust the trolley as specified in the trolley instructions of the Operator's Manual.



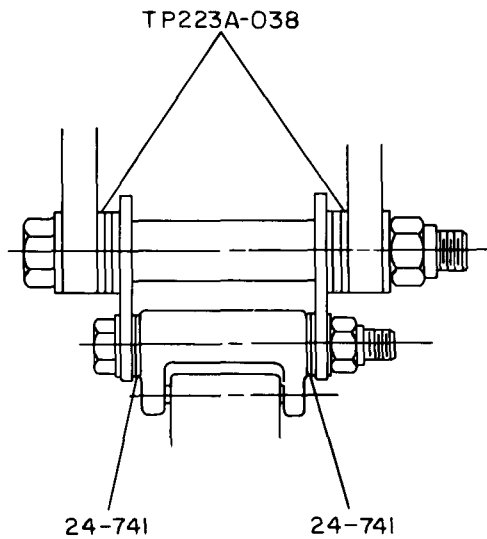
(Dwg. TPD933)

Refer All Communications to the Nearest
Ingersoll-Rand Office or Distributor.

© Ingersoll-Rand Company 1984

Printed in U.S.A.

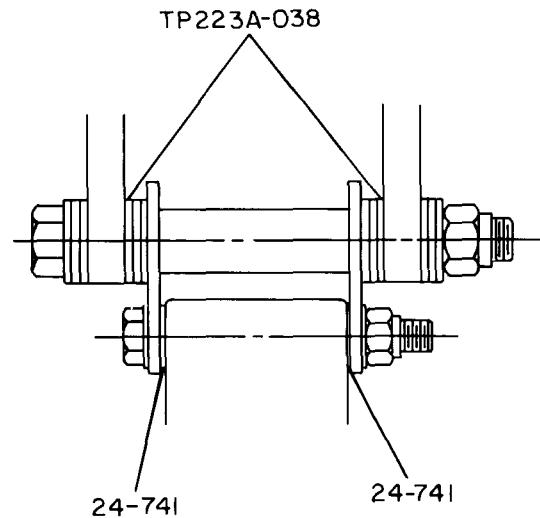
INGERSOLL-RAND®
AIR HOISTS



(Dwg. TPD935)

ML250K and ML500K Hoists

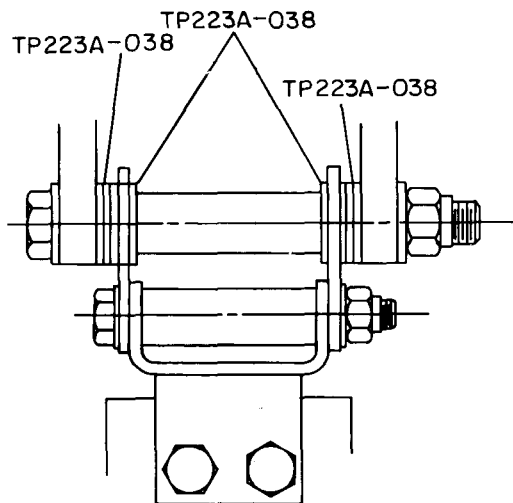
1. Two Washers 24-741 required on each side of the hoist mounting lug.
2. An equal quantity of Washers TP223A-038 (furnished with the Trolley) required between the Adapter Side Plates (1) and the trolley flange to help keep the hoist centered under the beam.



(Dwg. TPD936)

"A" and "B" Hoists

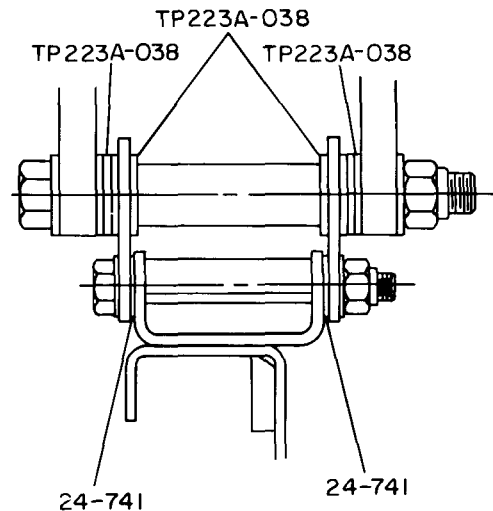
1. One Washer 24-741 required on each side of the hoist mounting lug.
2. An equal quantity of Washers TP223A-038 (furnished with the Trolley) required between the Adapter Side Plates (1) and the trolley flange to help keep the hoist centered under the beam.



(Dwg. TPD937)

HL1000K Hoist

1. One Washer TP223A-038 required on each side of the Spacer Tube (2).
2. An equal quantity of Washers TP223A-038 (furnished with the Trolley) required between the Adapter Side Plates (1) and the Trolley Flange to help keep the hoist centered under the beam.



(Dwg. TPD934)

ML1000K Hoist (Standard or MLK Crossmounts)

1. One Washer TP223A-038 required on each side of the Spacer Tube (2).
2. One Washer 24-741 required on each side of the Mounting Lug.
3. An equal quantity of Washers TP223A-038 (furnished with the Trolley) required between the Adapter Side Plates (1) and the Trolley Flange to help keep the hoist centered under the beam.

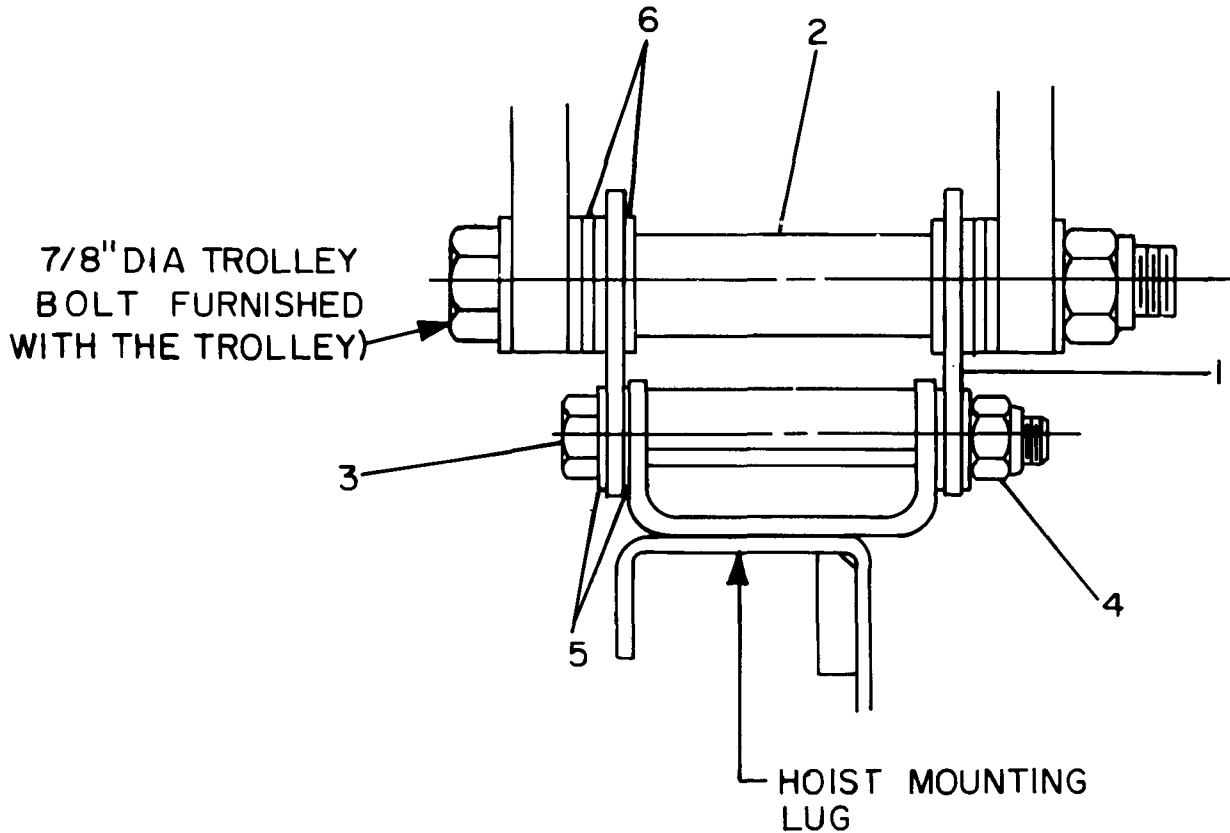
HOW TO ORDER REPAIR PARTS FOR YOUR TROLLEY ADAPTER KIT

Your Trolley Adapter Kit is designed and constructed to give you long, troublefree service. In time it may become necessary to order and install new parts to replace those that have been subjected to wear. For prompt service and genuine Ingersoll-Rand parts, place orders with your nearest Ingersoll-Rand Distributor. The use of other than genuine Ingersoll-Rand replacement parts may result in decreased performance, and may invalidate all warranties.

When ordering parts, give your Distributor the following data:

1. Complete model number of Hoist and Trolley as it appears on the nameplate.
2. Complete part number, part description and quantity needed as shown below.

If it becomes necessary to return the complete Kit or certain parts to the factory, consult the Distributor from whom you purchased the Kit or the nearest Ingersoll-Rand Distributor in your locality.



(Dwg. TPD932)

Note that Item (6) 12 washers are enclosed. These washers are the same as the washers enclosed with the Trolley.

PART NUMBER FOR ORDERING

1	Side Plate (2)	D01-852A
2	Spacer Tube (2)	D01-853A
3	Bolt (2)	D01-339-1
4	Nut (2)	D01-341A
5	Washer (12)	24-741
6	Washer (12)	TP223A-038

