

NO. HRA-A122A AND NO. HRA-A132A
TWO AND THREE MOTOR PENDENT THROTTLE HANDLE ASSEMBLIES
USED ON PILOT OPERATED HOISTS, FULL FLOW OPERATED TROLLEYS
AND CRANE MOTORS

PART NUMBER FOR ORDERING 

50	Multiple Pendent Throttle Handle Assembly	
	Two Motor Handle	HRA-A122A
	Three Motor Handle.	HRA-A132A
51	Valve Cap (2)	MLK-K266A
52	Valve Spring (2)	MLK-51A
53	Cap Gasket (2)	MLK-504
54	Throttle Valve (2)	MLK-K264A
55	Throttle Valve Face (1 for each Valve)	R000BR1C-283
56	Throttle Lever (4 for Two Motor Handle; 6 for Three Motor Handle) . . .	R00H-273A
57	Lever Retaining Pin	
	for Two Motor Handle	D02-125
	for Three Motor Handle	D02-135
*	Retaining Pin Lock Washer (5 for Two Motor Handle; 7 for Three Motor Handle)	D02-138
58	Retaining Pin Screw (5 for Two Motor Handle; 7 for Three Motor Handle)	MF-31
59	Chain Anchor Pin	R4-15
*	Anchor Pin Lock Screw	H54U-561
60	Throttle Valve (2 for Two Motor Handle; 4 for Three Motor Handle) . . .	MR-264
61	Throttle Valve Face (2 for each Valve)	AF120-289
62	Valve Cap (2 for Two Motor Handle; 4 for Three Motor Handle)	D02-1180
63	Valve Spring (2 for Two Motor Handle; 4 for Three Motor Handle) . . .	D01-51

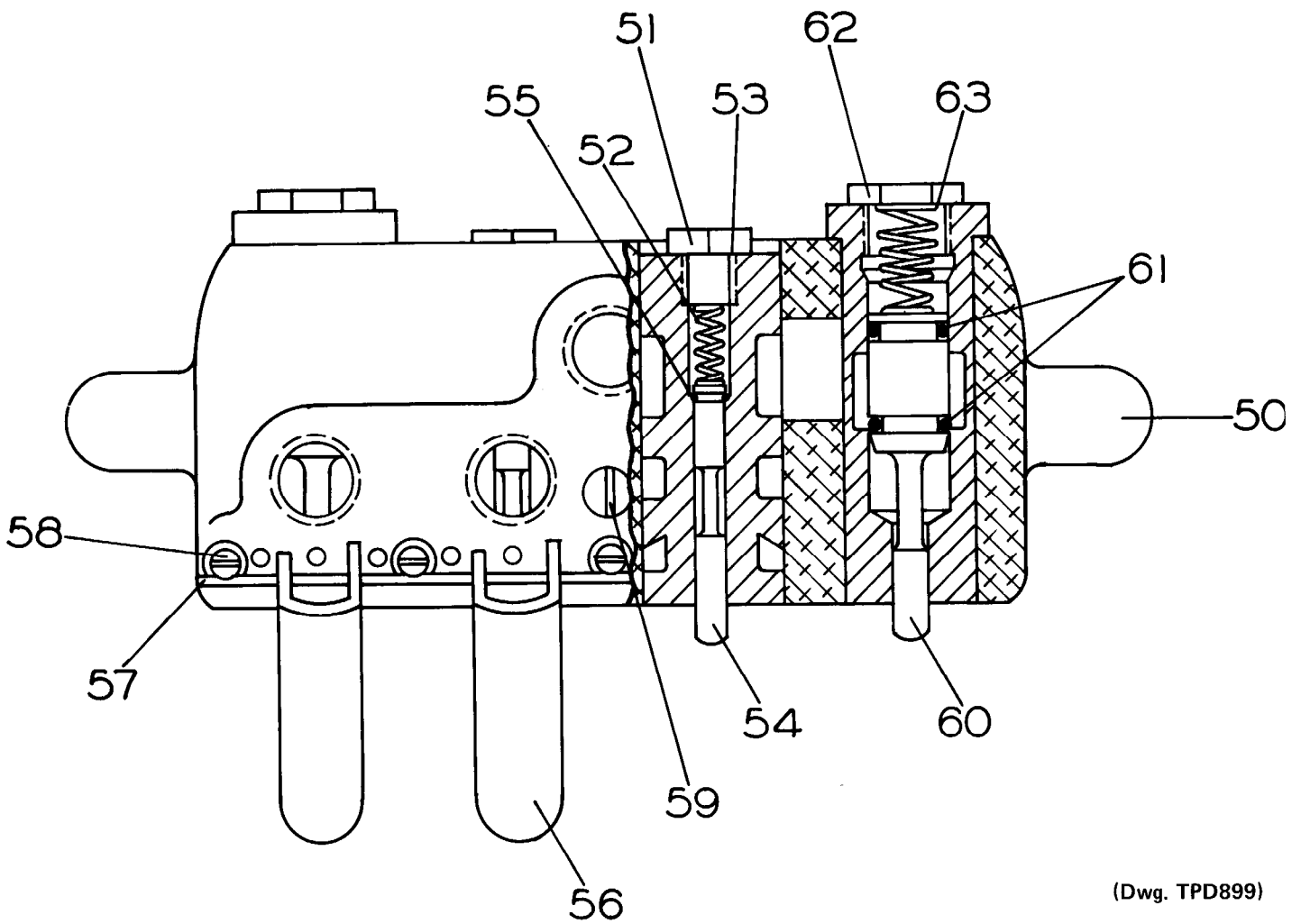
* Not illustrated.

Refer All Communications to the Nearest
Ingersoll-Rand Office or Distributor.

© Ingersoll-Rand Company 1983

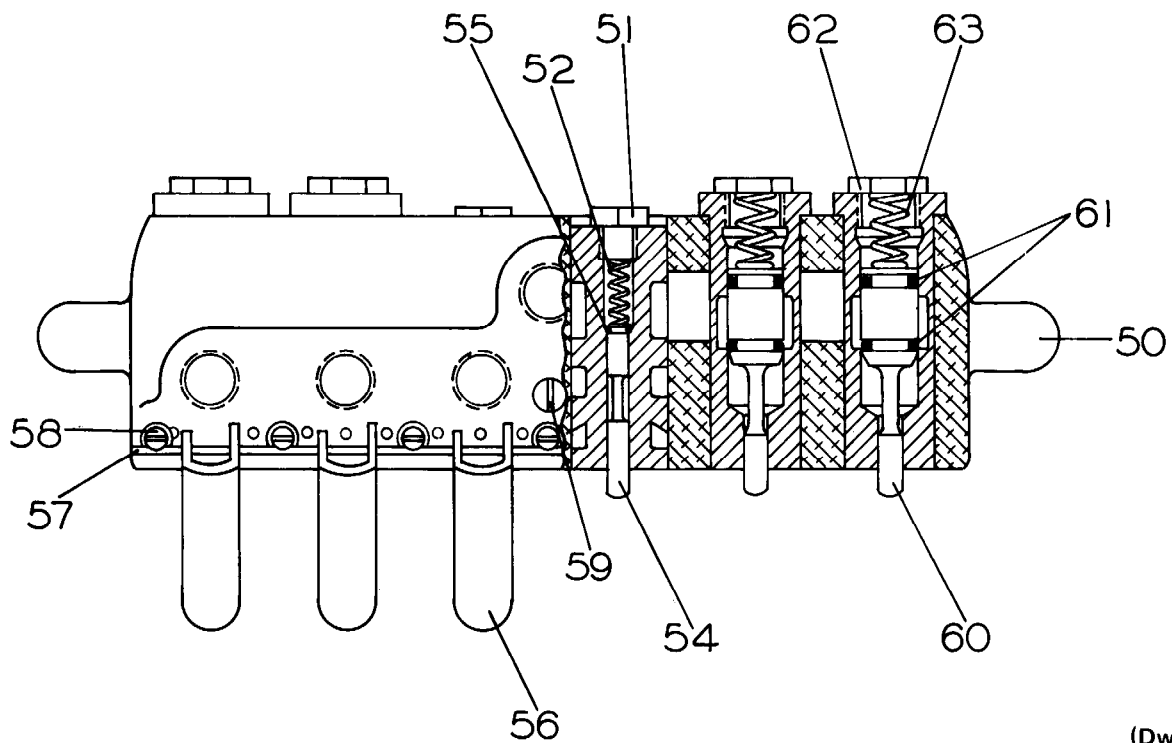
Printed in U.S.A.

INGERSOLL-RAND®
AIR HOISTS



(Dwg. TPD899)

No. HRA-A122A Two Motor Pendent Throttle Handle Assembly



(Dwg. TPD900)

10H3

No. HRA-A132A Three Motor Pendent Throttle Handle Assembly