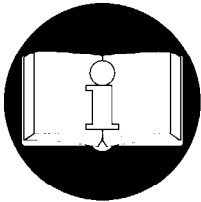


INSTALLATION INSTRUCTIONS for MHLK-KEXH EXHAUST KIT



READ THIS INSTRUCTION SHEET BEFORE USING THE PRODUCT. This instruction sheet contains important installation information. Make this information available to all persons responsible for the operation, installation and maintenance of the product.

⚠ WARNING

• **Disconnect the hoist from the air supply before installing the exhaust air kit.**

Installation Procedure

(Refer to parts list and drawing RTPC-650 on page 2)

1. Disconnect the air supply.
2. Remove the inlet swivel assembly. Retain the inlet nipple (39) and the 1/2 in. NPT strainer (42). Discard the swivel collar.
3. Loosen the three valve chest socket head capscrews (44 and 45) that attach the valve chest (14) to the valve chest plate (46), *one turn only*.
4. Install the exhaust block (61) and gasket (60) to the top of the valve chest against the exhaust grill of the valve plate (46). Use the existing inlet nipple (39) for attachment, *hand tight only*.

5. Tighten the three socket head capscrews that were loosened in step 3 to 4 ft. lbs (6 N.m).
6. Tighten the inlet nipple (39) to 41 ft. lbs. (54 N.m) and install the 1/2 in. NPT strainer (42).

NOTICE

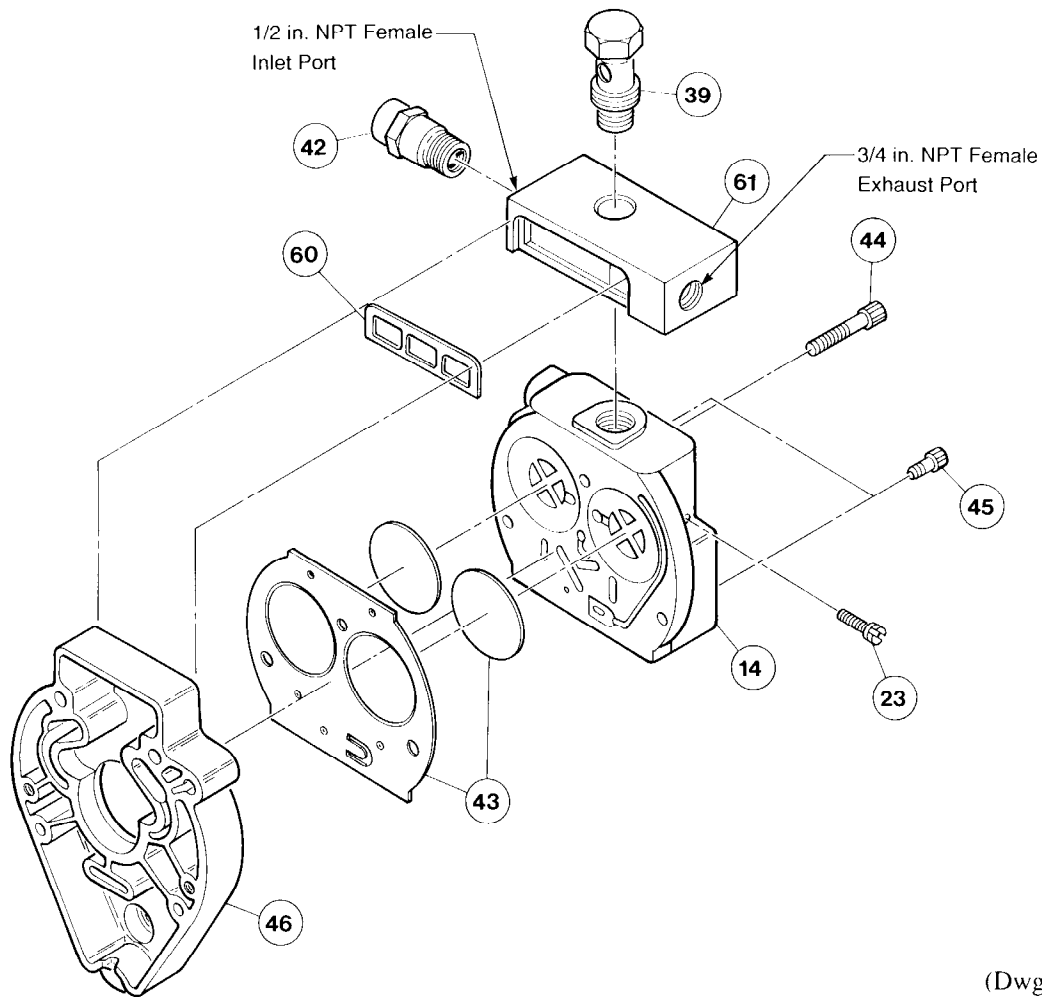
• **This kit does not capture all exhaust. Two holes internal of the hoist housing, allow exhaust to blow onto the drive chain wheel. This is to help provide some lubrication to the chain and exclude air born contamination. A small exhaust flow may also be noticed at the bottom of the valve chest plate (46) during operation.**

For additional information on parts, operation or maintenance of the MLK hoist refer to Form Number P6554.

**Refer All Communications to the Nearest
Ingersoll-Rand Branch Office or Distributor.**

© 1993 Ingersoll-Rand Company
Printed in the U.S.A.

INGERSOLL-RAND®
MATERIAL HANDLING



(Dwg. RTPC-650)

ITEM NO.	DESCRIPTION OF PART	QTY. TOTAL	PART NO.
---	Exhaust Air Kit (Includes items 60 and 61)	1	MHLK-KEXH
14	Valve Chest	1	MLK-545A
23	Valve Seat Lock Screw	1	AF160-305
39	Inlet Nipple	1	MLK-B4
42	Inlet Strainer	1	MLK-82
43	Valve Chest Gasket Set	1 set	MLK-928-80
44	Valve Chest Screw	1	518-104
45	Valve Chest Screw	2	R0H-354-4
46	Valve Chest Plate	1	MLK-549
60	Gasket	1	MHLK-343
61	Exhaust Block	1	MHLK-342

For additional MLK hoist parts information refer to Parts, Operation and Maintenance Manual Form Number P6554.

For Technical Support Contact:

Ingersoll-Rand Material Handling
P.O. Box 24046
2724 Sixth Avenue South
Seattle, WA 98124-0046
Phone: (206) 624-0466
Fax: (206) 624-6265

Ingersoll-Rand Material Handling
Samiia, Douai Operations
111, avenue Roger Salengro
59450 Sin Le Noble, France
Phone: (33) 27-93-08-08
Fax: (33) 27-93-08-00