

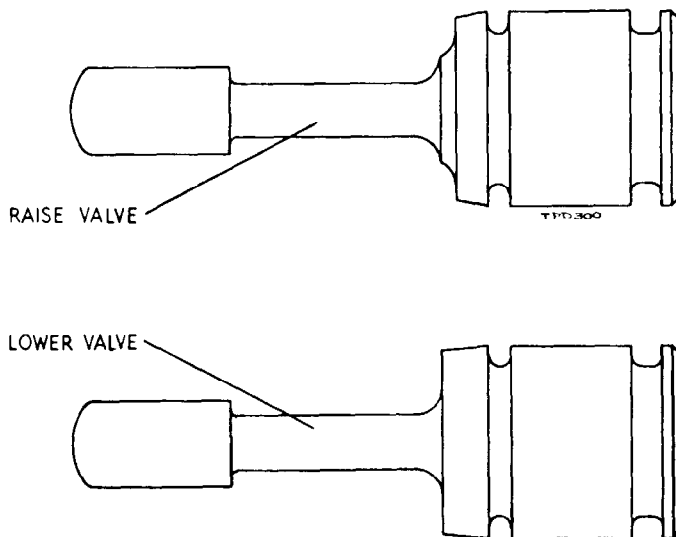
REPAIR PART LIST FOR TWO AND THREE MOTOR PENDENT THROTTLE HANDLE ASSEMBLIES

No. C6H20A-A122, C6H20A-AR122, C6H20A-A132 or C6H20A-AR132

CAUTION

When assembling a Pendent Throttle Handle, be sure to use a Raise Valve (705) and a Lower Valve (707), and to install each in its proper location, otherwise throttle graduation will be adversely affected.

The difference between the Valves is confined to the stem end of the pod as shown in the illustration. Although the difference is slight, it is sufficient to enable visible identification.

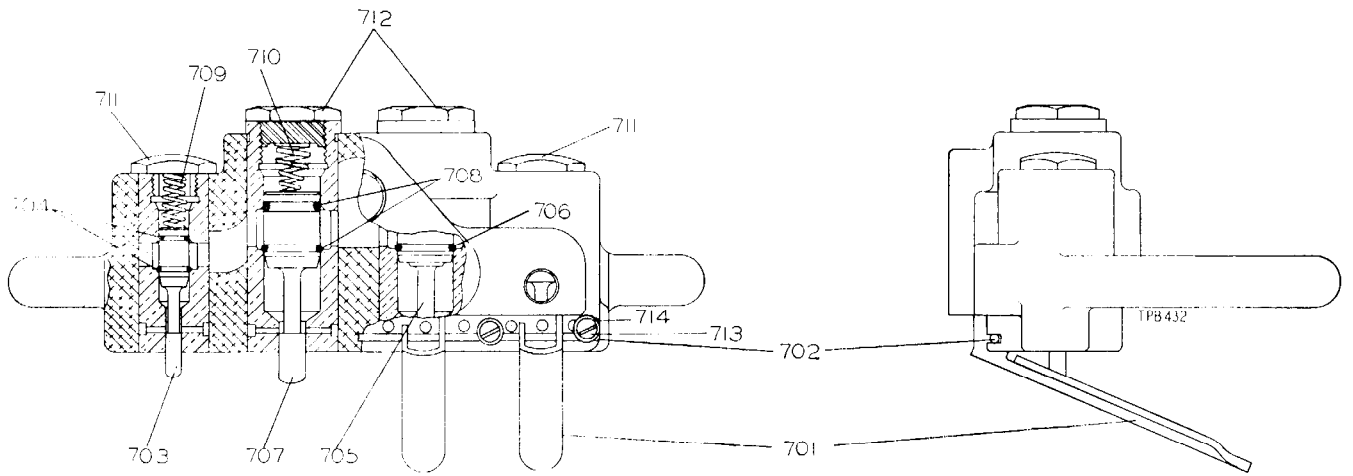


Raise and Lower Pendent Throttle Valves

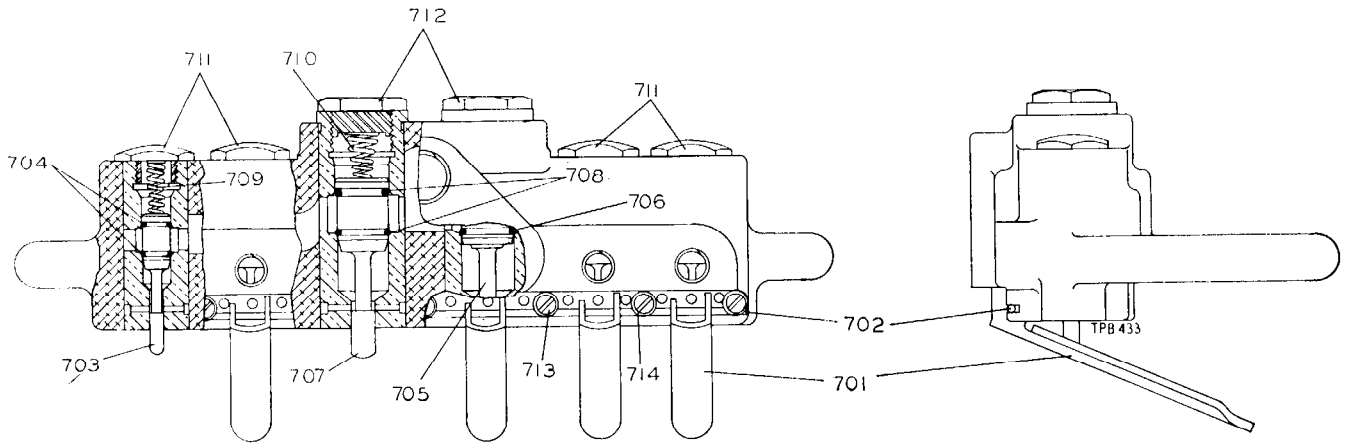
HOW TO ORDER

Order all repair parts for your Ingersoll-Rand Tool by the **NAME and NUMBER** shown in the Repair Part List section. **Never** use the illustration numbers which appear in the first column.

For prompt service and genuine I-R parts, place orders with the nearest Ingersoll-Rand Branch Office.



Two Motor Pendent Throttle Handle No. C6H20A-A122 or C6H20A-AR122



Three Motor Pendent Throttle Handle No. C6H20A-A132 or C6H20A-AR132

REPAIR PART LIST

ILLUSTRATION NUMBER (Do not use for ordering)	PART NAME FOR ORDERING Parts Indented After An Item Are Included With That Item	PART NUMBER FOR ORDERING
	Multiple Pendent Throttle Handle Assembly	
	Two Motor Handle	
	Standard.....	C6H20A-A122
	Spark Resistant.....	C6H20A-AR122
	Three Motor Handle	
	Standard.....	C6H20A-A132
	Spark Resistant.....	C6H20A-AR132
701	Pendent Throttle Lever (4 for Two Motor Handle; 6 for Three Motor Handle).....	C6H20A-273
702	Throttle Lever Pin	
	Two Motor Handle.....	C6H20A-125
	Three Motor Handle.....	C6H20A-135
703	Pendent Throttle Small Valve (2 for Two Motor Handle; 4 for Three Motor Handle).....	D01-264
704	Small Valve Seal (2 for each Small Valve).....	R000BR-210
705	Pendent Throttle Raise Valve Assembly.....	C6H20A-A164
706	Valve Seal Ring (2).....	AF160-289
707	Pendent Throttle Lower Valve Assembly.....	C6H20A-A165
708	Valve Seal Ring (2).....	AF160-289
709	Pendent Throttle Small Valve Spring (2 for Two Motor Handle; 4 for Three Motor Handle)	D01-51
710	Pendent Throttle Large Valve Spring (2).....	T01-308
711	Small Pendent Throttle Valve Cap (2 for Two Motor Handle; 4 for Three Motor Handle)	
	Standard.....	D01-180
	Spark Resistant.....	D01-1180
712	Large Pendent Throttle Valve Cap	
	Standard.....	C6H20A-180
	Spark Resistant.....	C6H20A-R180
713	Lever Pin Retaining Screw (5 for Two Motor Handle; 7 for Three Motor Handle).....	MF-31
714	No. 8 Lock Washer (5 for Two Motor Handle; 7 for Three Motor Handle).....	D02-138
*	Chain Anchor Pin.....	R4-15
*	Anchor Pin Lock Screw.....	H54U-561

*Not illustrated.

Do not send any tools or repair parts orders to our New York Office.

Ingersoll-Rand

11 Broadway, New York, N. Y. 10004

● **Atlanta, Ga.**
111 Ingersoll-Rand Drive
Chamblee, Georgia 30005

● **Baltimore, Md.**
4 West Aylesbury Rd.
Timonium, Md. 21093

● **Birmingham, Ala.** 35233
1700 Third Ave., South

● **Boston, Mass.** 02116
285 Columbus Ave.

● **Buffalo, N. Y.** 14225
235 Aero Dr.

● **Chicago, Ill.**
888 Industrial Drive
Elmhurst, Illinois 60126

● **Cincinnati, Ohio** 45206
428 McGregor Ave.

● **Cleveland, Ohio** 44103
4506 Chester Ave.

● **Corpus Christi, Texas** 78408
4540 Baldwin Blvd.

● **Dallas, Texas** 75247
8901 Directors Row

● **Denver, Colo.** 80207
5805 E. 39th Ave.

● **Detroit, Mich.**
22122 Telegraph Road
Southfield, Mich. 48075

● **Hartford, Conn.**
506 Silas Deane Hwy.
Wethersfield, Conn. 06109

● **Houston, Texas** 77027
4211 Richmond Ave.

● **Indianapolis, Ind.** 46220
2123 East 54th St.

● **Kansas City, Mo.** 64105
7611 State Line

● **North Kansas City, Mo.**
1537 Atlantic St. 64116

● **Knoxville, Tenn.** 37919
525 Bearden Park Circle

● **Los Angeles, Calif.** 90022
5533 East Olympic Blvd.

● **Midland, Texas** 79701
1401 West Industrial Ave.

● **Milwaukee, Wis.** 53208
1348 N. 37th St.

● **Minneapolis, Minn.** 55404
Corner, Franklin and Cedar

● **Newark, N. J.**
360 West First Ave.
Roselle, N. J. 07203

● **New Orleans, La.** 70125
960 South Genois Street

● **Philadelphia, Pa.** 19103
2037 Chestnut St.

● **Pittsburgh, Pa.** 15222
932 Penn Ave.

● **Richmond, Va.** 23230
3431 West Leigh St.

● **Salt Lake City, Utah** 84110
1526 South 6th West

● **San Francisco, Calif.** 94107
350 Brannan Street

● **Scranton, Pa.** 18505
605 Davis St.

● **Seattle, Wash.** 98104
526 First Ave., South

● **St. Louis, Mo.** 63132
1515 Page Industrial Blvd.

● **Tulsa, Oklahoma** 74120
407 South Peoria Ave.

● **Washington, D. C.** 20006
1627 K. St., N. W.

● "Factory Repair Service" Branch for Air & Electric Tools

CANADA

● **Calgary, Alberta**
611-11th Ave. West

● **Kirkland Lake, Ontario**
P.O. Box 905

● **Moncton, New Brunswick**
170 Wilbur St. So.

● **Montreal 2, Quebec**
620 Cathcart St.
P.O. Box 1148

● **Sherbrooke, Quebec**
375 Courcellette St.

Canadian Ingersoll-Rand Co., Limited
Montreal 2, Quebec
620 Cathcart St.
P.O. Box 610

● **Sudbury, Ontario**
P.O. Box 1210

● **Toronto 12, Ontario**
255 Lesmill Road,
Don Mills

● **Vancouver 1, British Columbia**
1177 West Fender St.

● **Winnipeg 21, Manitoba**
1234 Madison St., St. James

● Branch Repair Depots

MEXICO

● **Mexico Edo de Mexico**
Ingersoll-Rand de Mexico, S. A.
Apartado 286
Naucaipan de Juarez

SOUTH AMERICA

● **Argentina, Buenos Aires**
General Electric, Argentina S. A.
Santo Domingo 3220

● **Bolivia, La Paz**
International Machinery Co. (Bolivia), S. A.
Casilla 452

● **Bolivia, Oruro**
International Machinery Co. (Bolivia), S. A.
Casilla 254

● **Brazil, Rio de Janeiro**
Ingersoll-Rand S.A. Ind. e Comercio
Av. Presidente Vargas, 542/9º Andar

● **Brazil, Sao Paulo**
Ingersoll-Rand S.A. Ind. e Com.
Rua 7 de Abril, No. 34 9º Andar

● **Chile, Antofagasta**
Grace y Cia, (Chile) S. A.
International Machinery Div.
Casilla A

● **Chile, Santiago**
Grace y Cia.
International Machinery Div
Casilla 107-D

● **Colombia, Bogota**
Maquinarias Ingersoll-Rand
de Colombia, S. A.
Apartado Aereo 7451

● **Peru, Lima**
Ingersoll-Rand Co. of Peru, S. A.
Casilla 2261

● **Surinam, Paramaribo**
C. K. C. Surinam Machinery Co., Ltd.
P. O. Box 216

● **Uruguay, Montevideo**
General Electric, S. A.
Casilla de Correo 360

● **Venezuela, Caracas**
Ingersoll-Rand de Venezuela S. A.
Apartado Postal 1347

● **Venezuela, Caracas**
Lorenzo Bustillos M. y Cia. Sucs. C. A.
Apartado 234

● **Venezuela, Puerto La Cruz**
Oficina Tecnica Industrial C. A.
Apartado 4027

● **Venezuela, Puerto Ordaz**
Oficina Tecnica Industrial C. A.
Avenida Principal

EUROPE

● **Austria, Vienna 11**
Ingersoll-Rand Ges. m. b. H.
98 Simmeringer Hauptstrasse

● **Belgium, Brussels**
Ingersoll-Rand Benelux
62 Chaussee de Mons, Bruxelles 7

● **Denmark, Copenhagen S.**
Ingersoll-Rand A/S
Ved Amagerbanen 11

● **England, London, E. C. 4**
Ingersoll-Rand Co., Ltd.
165 Queen Victoria St.

● **Scotland, Glasgow S. W. 1**
Ingersoll-Rand Co., Ltd.
428 Helen St.

● **Finland, Helsingfors C**
Oy Gronblom Ab., P. O. Box 370

● **Finland, Helsingfors K.**
Oy Gronblom Trading AB
P. O. Box 446

EUROPE (Continued)

● **France, Boulogne-Billancourt (Seine)**
Compagnie Ingersoll-Rand
19/29 Rue du General Gallieni

● **Greece, Athens**
"ATE" Auto-Tractor-Tire Co., Inc.
P.O. Box 1250, Omonia

● **Germany, 4 Dusseldorf**
Ingersoll-Rand GmbH
Karlstrasse 61
Postfach 4501

● **Ireland, Dublin 12**
Ingersoll-Rand Company (Ireland) Ltd.
John F. Kennedy Drive
Blubbell

● **Italy, 20100 Milano**
Ingersoll-Rand Italiana, S.p.A.
Casella Postale 1232

● **Luxembourg, Bereldange**
E. Lickes
Rue de Begger

● **Netherlands, Pynacker**
Ingersoll-Rand Benelux
26D Delftsestraatweg

● **Norway, Oslo 1**
Maskin a/s K. Lund & Co.
Rievierstredet 3

● **Portugal, Lisbon**
Ingersoll-Rand Lda.
Apartado 2933

● **Spain, Madrid**
Cia. Ingersoll-Rand S. A.
Calle Montalban 5

● **Sweden, Stockholm (Solna)**
Ingersoll-Rand AB
Fack Solna 1

● **Switzerland, Zurich 23**
Robert Aebi S. A.
P. O. Box 2034

● **Turkey, Ankara**
Hamamcioglu Muesseseleri Ticaret T.A.S.
Izmir Cad. 33/23

● **Turkey, Istanbul**
Hamamcioglu Muesseseleri Ticaret T.A.S.
Buyukdere Cad. No. 13/A

● **Yugoslavia, Belgrade**
Industrijaimport
P.O. Box 432

AUSTRALASIA

● **Victoria, South Melbourne**
Ingersoll-Rand (Australia) Ltd.
42 Moray Street, S. C. 5

● **New South Wales, Broken Hill**
Walter Sully & Co. Pty. Ltd.
404 Argent St.

● **New South Wales, Newcastle**
Ingersoll-Rand (Australia) Ltd.
P. O. Box No. 614

● **New South Wales, Sydney**
Ingersoll-Rand (Australia) Ltd.
P. O. Box 328 Crows Nest

● **West Australia, Perth**
Ingersoll-Rand (Australia) Pty., Ltd.
P. O. Box 69, Belmont

● **Queensland, Brisbane**
Ingersoll-Rand (Australia) Ltd.
c/o P.O. Moorooka, Queensland

● **South Australia, Adelaide**
Ingersoll-Rand (Australia) Ltd.
P.O. Box 178-C GPO

● **Tasmania, Hobart**
Ingersoll-Rand (Australia) Ltd.
G.P.O. Box 564-F

● **New Zealand, Auckland**
Ingersoll-Rand (N. Z.) Ltd.
Box 3570 Central P. O.

CENTRAL AMERICA and the WEST INDIES

● **Costa Rica, San Jose**
H. T. Purdy, Inc.
Apartado 750

● **Dominican Republic, Santo Domingo**
Dominican Motors C por A
Apartado 894

● **Guatemala, Guatemala City, S.A.**
Cia. Guatemalteca de Maquinaria
Apartado 1363

● **Haiti, Port-au-Prince**
Chiles Fequiere & Cia.
P. O. Box 398

● **Jamaica, Kingston**
R. Ehrenstein & Co., Ltd.
P. O. Box 414

● **Netherlands West Indies, Curacao & Aruba**
S. E. L. Maduro & Son, Inc.

● **Nicaragua, Managua D. N.**
Equipos y Accesorios S. A.
Apartado 2010

● **Puerto Rico, San Juan 00936**
Ingersoll-Rand de Puerto Rico Inc.
P. O. Box 1222

● **Republic of Panama, Panama**
The Amado Engineering Co.
P. O. Box 4241

● **Salvador, San Salvador**
Cia. Importadora de Maquinaria S. A.
Calle Roosevelt y 53 Avenida

● **West Indies, Trinidad**
Port of Spain
Neal & Massy Ltd.
61-63 Edward St.
P.O. Box 544

ASIA and The EAST

● **Aden (Arabia)**
Awad Salem Baobeid & Son
P. O. Box 184

● **Afghanistan, Kabul**
Indamer, Afghan Industries
P. O. Box 37

● **Bahrain, Manama**
Alawi Stores
P. O. Box 154

● **Ceylon, Colombo**
Chatham House, Ltd.
P. O. Box 743

● **Hong Kong**
Jardine Engineering Corp. Ltd.
14-16 Pedder St., P. O. Box 517

● **India, Bombay**
Ingersoll-Rand (India) Private Ltd.
17-B Hormiman Circle, Fort
P. O. Box 468

● **India, Calcutta**
Ingersoll-Rand (India) Private Ltd.
7 Welsley Pl., P. O. Box 2307

● **Israel, Tel-Aviv**
Engineering & Mfg. Co. Ltd.
7 Rothschild Blvd., P. O. Box 1191

● **Iran, Tehran**
Diesel Power Trading Co. Ltd.
P. O. Box 1454

● **Japan, Tokyo**
Ingersoll-Rand (Japan) Ltd.
Nishimoto Bldg., 21 4-Chome
Aoyama-Kitamachi, Minato-Ku

● **Korea, Seoul**
Mine and Construction Equipment Co.
1. P. O. Box 2016

● **Kuwait, State of Kuwait**
Trading and Industrial Equip. Co.
P. O. Box 2159

● **Lebanon, Beirut**
Mid-East Auto & Trading Co.
P. O. Box 4766

● **Malaysia, Singapore 1**
Ingersoll-Rand Malaysia Ltd.
P.O. Box 2062

● **Pakistan, Karachi**
Javed Ltd.
19 W. Wharf Td., P. O. Box 5191

● **Pakistan, Lahore**
Javed Ltd.
87, The Mall

ASIA and The EAST (Continued)

● **East Pakistan, Dacca**
Javed Ltd.
Tiger Manison
69-70 Motijheel Commercial Area

● **Philippines, Manila**
Ingersoll-Rand Philippines, Inc.
P. O. Box 3887

● **Qatar, Doha**
Al Nasr Trading Co., P. O. Box 28

● **Saudi Arabia, Jeddah**
Zahid Heavy Machinery Co., Ltd.
P.O. Box 1588

● **Syria, Damascus**
Geo. R. Kada
34/36 Fardos St.
P.O. Box 2205

● **Taiwan, Taipei**
Jardine Matheson Ltd.
P. O. Box 81

● **Thailand, Bangkok**
Mine and Construction Equipment Ltd.
"K" Building
22/11 Mittraparb Highway

AFRICA

● **Republic of South Africa**
Transvaal, Alrode via Albertyn
Ingersoll-Rand Co. So. Africa (Pty.) Ltd.
P. O. Box 720

● **Cape Province, Capetown**
Ingersoll-Rand Co. So. Africa (Pty.) Ltd.
P. O. Box 96, Goodwood, Capetown

● **Cape Province, Port Elizabeth**
Ingersoll-Rand Co. So. Africa (Pty.) Ltd.
P. O. Box 1028

● **Cape Province, Kuruman**
Ingersoll-Rand Co., So. Africa (Pty.) Ltd.
P.O. Box 246

● **Natal, Durban**
Ingersoll-Rand Co. So. Africa (Pty.) Ltd.
P. O. Box 2595

● **Orange Free State, Welkom**
P. O. Box 374

● **Kenya, Nairobi**
Giffilan & Co. Ltd.
P. O. Box 30044

● **Rhodesia, Bulawayo**
Ingersoll-Rand Co. So. Africa (Pty.) Ltd.
P. O. Box 2484, Belmont

● **Rhodesia, Salisbury**
Ingersoll-Rand Co. So. Africa (Pty.) Ltd.
P. O. Box 9

● **Algeria, Algiers**
Cie. Ingersoll-Rand
13, Chermi Vauban

● **Egypt, Cairo**
The Tractor & Engineering Co., S.A.E.
P. O. Box 366

● **Ghana, Accra**
Cie Francaise de L'Afrique Occidentale
P. O. Box 2710

● **Libya, Tripoli**
Solico Limited
Km 1 Sidi Mesri Road, P. O. Box 742

● **Morocco, Casablanca**
Etablissements Peggary
29 bis, Rue Mohamed Diouri

● **Mauritius, Port Louis**
Blyth Brothers and Co. Ltd.
P. O. Box 56

● **Nigeria, Apapa**
Nigerian Motor Industries, Ltd.
P. M. Bag 1032, 26 Wharf Road

● **Portuguese East Africa, Lourenco Marques**
Santos Marques and Silva Limitada
P. O. Box 166

● **Sierre Leone, Freetown**
Cie Francaise de L'Afrique Occidentale
P. O. Box 823

● **Senegal, Dakar**
Compagnie Francaise de
L'Afrique Occidentale

● **Tunisia, Tunis**
Mine Usine et Comptoir des Mines Reunis
11, Avenue de Carthage

● **Zambia, Ndola**
Ingersoll-Rand Company, Ltd.
P. O. Box 74