

INSTRUCTIONS AND REPAIR PART LIST

for

MULTI-VANE AIR MOTORS

NON-REVERSIBLE SIZES 91RM1 and 91RM2

and

REVERSIBLE SIZE 991RM1

LUBRICATION

Use an Air Line Lubricator with Series 91RM or 991RM Multi-Vane Motors. Ingersoll-Rand No. NFLU-12 Filter-Lubricator Unit is recommended. Fill the lubricator with Ingersoll-Rand Pneu-Lube® Medium Oil No. 50 or a good quality SAE 20 Motor Oil and set the valve for medium feed.

After each eight hours of motor operation, or as experience indicates, inject Ingersoll-Rand Light Grease No. 28 or a good quality No. 1 Cup Grease into the Grease Fitting (10) in the Housing Cover (9), and into the Grease Fitting (31) in the Gear Case (30). Two strokes from the No. P25-228 Grease Gun are sufficient for the Grease Fitting in the Housing Cover. Fifteen to twenty strokes from the No. P25-228 Grease Gun are sufficient for the Grease Fitting in the Gear Case.

OPERATION

For top performance and maximum durability of parts, operate the Series 91RM or 991RM Multi-Vane Motors on 90 psi of clean, dry air at the tool. Size 1" hose is recommended.

MAINTENANCE INSTRUCTIONS

The thread on the Rotor Bearing Lock Screw (17) is left-hand. Grasp the Rotor Pinion (18) in copper-covered vise jaws and turn the Screw clockwise to remove it from the Rotor (15).

Never clamp the Cylinder (14) in a vise. When disassembling the Multi-Vane motor, grasp the Cylinder in one hand, insert a 5/16" dia. rod about 5-1/2" long into the hole from which the Lock Screw was removed and drive on the rod until the rotor hub is driven from the Rear Rotor Bearing (8).

Do not press the Rotor Pinion (18) from the Rotor (15) unless a new Pinion is required. When installing a new Pinion, always start the serrations on its shank in the mating grooves cut in the Rotor by the old Pinion.

Press the Rotor Bearings (8 and 21), shielded side first, into the recesses in the End Plates (13 and 20) with an arbor that will contact only the outer ring of the Bearing. Press on the inner ring of the Bearing when installing an End Plate and Bearing assembly on the Rotor (15).

After installing the Front End Plate and Front Rotor Bearing assembly on the front hub of the Rotor (15), hold the Rotor vertical and clamp the Pinion (18) in copper-covered vise jaws. Insert a Vane (19) in each vane slot. Position the Cylinder (14) as follows and set it over the Rotor and onto the Front End Plate:

For Size 91RM1, the elongated slots and fins must be to the **right** as you face the air port in the side of the Cylinder.

For Size 91RM2, the elongated slots and fins must be to the **left** of the air port as you face the air port in the side of the Cylinder. *(Continued on Page 4)*

HOW TO ORDER

Order all repair parts for your Ingersoll-Rand Tool by the **NAME** and **NUMBER** shown in the Repair Part List section. **Never** use the illustration numbers which appear in the first column.

For prompt service and genuine Ingersoll-Rand parts, place orders with the nearest Ingersoll-Rand Branch Office.

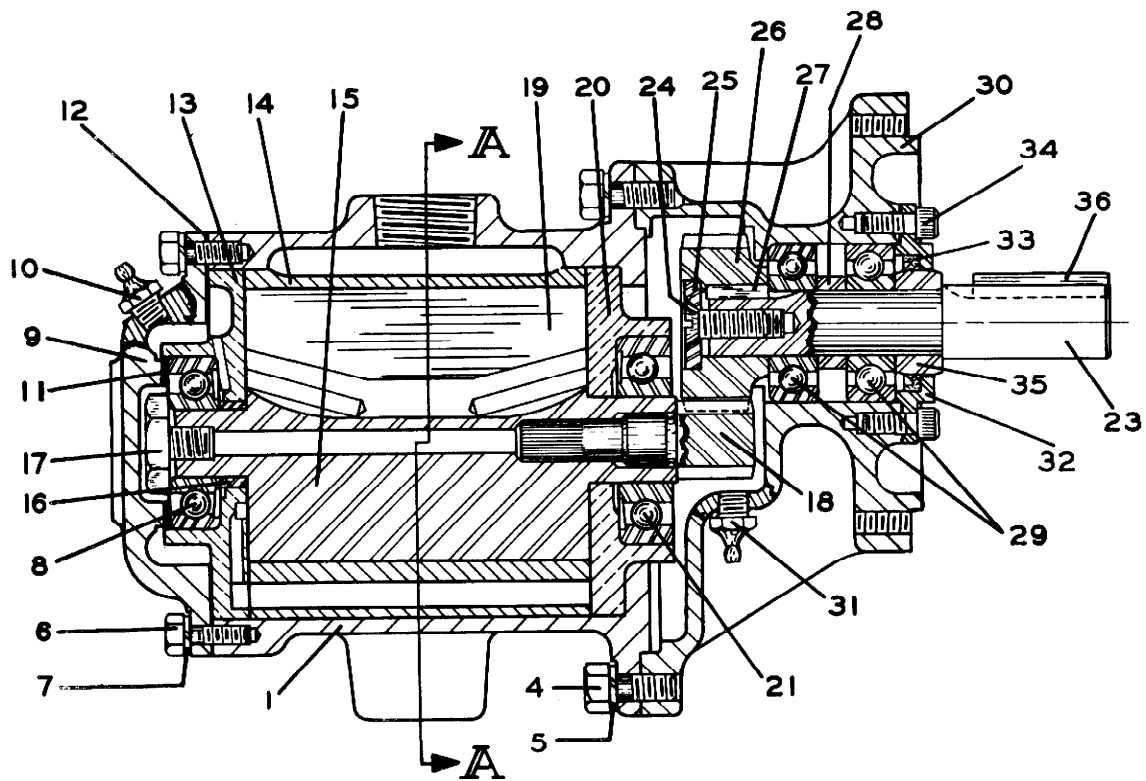
Notice: The use of other than genuine Ingersoll-Rand replacement parts may result in decreased tool performance and increased maintenance, and may, at the Company's option, invalidate all warranties.

Refer All Communications to the Nearest
Ingersoll-Rand Branch Office or Distributor.

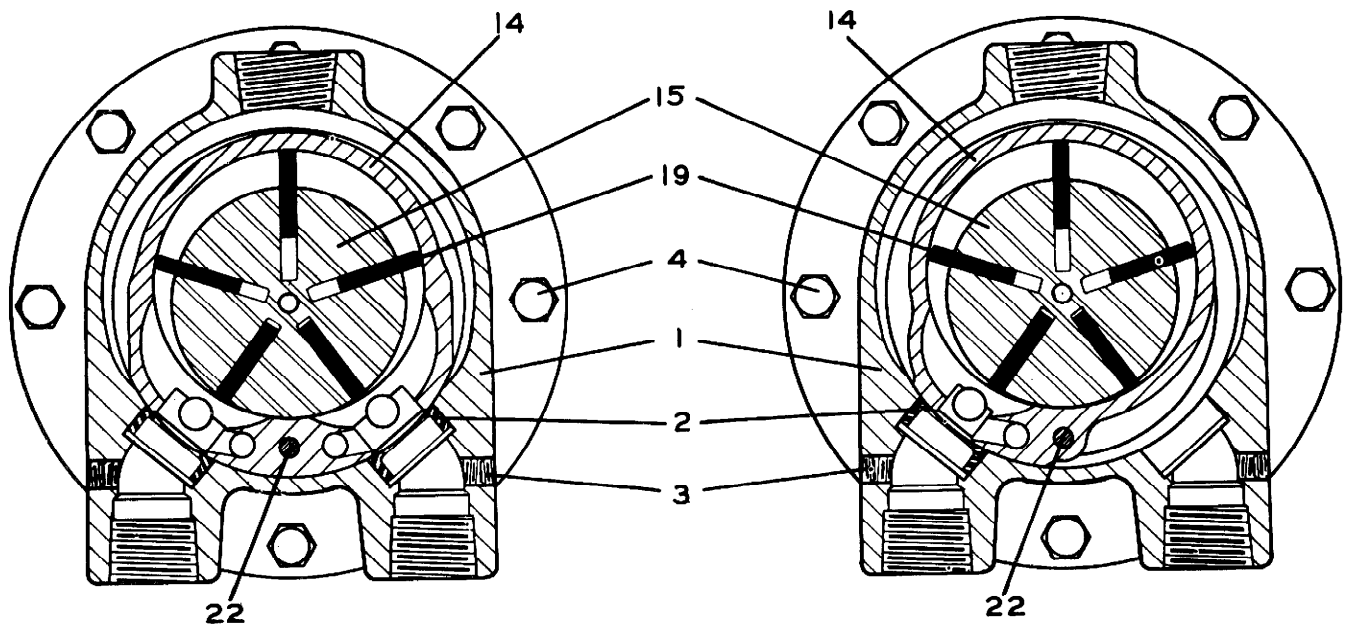
© Ingersoll-Rand Company 1974



Ingersoll-Rand



Size 91RM1, 91RM2 or 991RM1
Multi-Vane Air Motor



Section A - A
Size 991RM1

Section A - A
Size 91RM1 or 91RM2

REPAIR PART LIST

| ILLUSTRATION NUMBER (Do not use for ordering) | PART NAME FOR ORDERING Parts Indented After An Item Are Included With That Item | PART NUMBER FOR ORDERING |
|--|--|-----------------------------------|
| ★ 1 | Motor Housing | 9BM-40 |
| 2 | Air Port Gasket (1 for Size 91RM1 and 91RM2; 2 for Size 991RM1). | R44H-210A |
| 3 | 1/8" Pipe Plug (2) | R2-227 |
| 4 | Housing Cap Screw (8) | FM-554 |
| 5 | Housing Cap Screw Lock Washer (8) | T11-58 |
| 6 | Housing Cover Cap Screw (6) | R3-7 |
| 7 | Housing Cover Cap Screw Lock Washer (6) | L01-67 |
| ● 8 | Rear Rotor Bearing (special; purchase from Ingersoll-Rand) | R5H-22 |
| 9 | Housing Cover | 9BM-102 |
| 10 | Grease Fitting | 23-188 |
| 11 | Rotor Bearing Spring | 9BM-278 |
| ● 12 | Housing Cover Gasket | 9BM-283 |
| ● 13 | Rear End Plate | 9BM-12 |
| ● 14 | Cylinder for Sizes 91RM1 and 91RM2 | 9BM-3 |
| | for Size 991RM1 | 577-3 |
| ● 15 | Rotor | 9BM-53 |
| 16 | Rotor Bearing Spacer | R5H-65 |
| 17 | Rotor Bearing Lock Screw | 9BM-119 |
| 18 | Rotor Pinion | 9BM-17 |
| ● 19 | Vane Packet (Set of 5) | R5H-42-5 |
| ● 20 | Front End Plate | 9BM-11 |
| ● 21 | Front Rotor Bearing (AFBMA No. 25BC03JP) | R5H-24 |
| 22 | Cylinder Dowel | 205-1098 |
| 23 | Drive Shaft | 9RM-508 |
| 24 | Drive Gear Retaining Screw | 91RM-126 |
| 25 | Drive Gear Retaining Washer | 9BM-13 |
| 26 | Drive Gear | 9BM-9A |
| 27 | Drive Gear Key | 9BM-610 |
| 28 | Drive Shaft Bearing Spacer | 9BM-111 |
| ● 29 | Drive Shaft Bearing (AFBMA No. 20BC02) (2) | T02-33 |
| 30 | Gear Case | 91RM-237 |
| 31 | Grease Fitting | 23-188 |
| 32 | Gear Case Cover | 91RM-378 |
| 33 | Gear Case Cover Grease Seal | 92RM-271 |
| 34 | Gear Case Cover Cap Screw (4) | R1M-56 |
| 35 | Drive Shaft Collar | 9BM-30A |
| 36 | Drive Shaft Key | 107-54 |

★ **IMPORTANT:** Always specify the size symbol of the Motor when ordering a repair Motor Housing (1) so that the name plate on the new Housing will be correctly stamped.

MAINTENANCE TOOLS

| Tool Number For Ordering | Tool Name For Ordering | Operation |
|-----------------------------|------------------------|--------------|
| P25-228 | Grease Gun | Lubrication. |

For Size 991RM1, the Cylinder can be installed either end first.

Be sure each Air Port Gasket (2) is in good condition and is installed, large open end first, in the air port in the wall of the Motor Housing (1). A Gasket is required in both ports for reversible Size 991RM1; for non-reversible Size 91RM1 or 91RM2, a Gasket is required only in the inlet port.

IMPORTANT: A four-way Throttle Valve (whether manually, remotely, or automatically controlled) must be used in the air supply line to Size 991RM1 Reversible Motor, as one motor inlet is expelling secondary exhaust air, and therefore must be open to atmosphere whenever the opposite inlet is admitting live air to the motor. The use of any throttle valve that closes or restricts the secondary exhaust line will result in sufficient back pressure to drastically reduce the speed and power of the motor.

When the application requires a separate Throttle Valve in each air line, then two three-way valves must be used.

REPAIR PARTS

To keep costly downtime to a minimum, it is desirable to have on hand certain repair parts. To guide you in the stocking of repair parts, the Illustration Numbers of the Repair Part List are coded to indicate certain parts and quantities we recommend you carry in stock. Codings for the recommended repair parts are:

- One repair part for every four tools in service.
- + One repair part for every two tools in service.
- x One repair part for each tool in service.

If the tools are being used in remote geographical areas, or are subject to unusually severe service, the items and quantities should be increased. Contact the nearest Ingersoll-Rand Company Branch for recommendations.

● **Atlanta, Ga.**
111 Ingersoll-Rand Drive
Chamblee, Georgia 30341

★ **Beaumont, Texas** 77648
5336 Twin City Highway
Port Arthur, Texas

★ **Birmingham, Ala.** 35233
1516 Second Ave., South

★ **Buffalo, N. Y.** 14225
195 Sugg Rd.

● **Charlotte, N. C.** 28208
4840 Wilmont Rd.

● **Chicago, Ill.**
888 Industrial Drive
Elmhurst, Illinois 60126

● **Cincinnati, Ohio**
619 Redna Terrace
Woodlawn, Ohio 45215

● **Cleveland, Ohio** 44125
9257 Midwest Ave.

● **Dallas, Texas** 75247
8901 Directors Row

● **Denver, Colo.** 80216
4045 Elati St.

● **Detroit, Mich.**
22122 Telegraph Road
Southfield, Mich. 48075

● **Hartford, Conn.** 06114
151 Meadow St.

Ingersoll-Rand®

Tool & Hoist Division
28 Kennedy Blvd.
East Brunswick, N. J. 08816

● **Houston, Texas** 77027
6800 Sands Point, P.O. 1455

★ **Indianapolis, Ind.** 46220
2120 East 54th St

● **Kansas City, Mo.** 64114
8900 Ward Parkway

● **Los Angeles, Calif.** 90022
5533 East Olympic Blvd

● **Memphis, Tenn.** 38116
1231 E. Raines Rd.
P.O. Box 16248
Whitehaven Station

● **Milwaukee, Wis.** 53225
2311 W. Silver Springs Dr.

● **Minneapolis, Minn.** 55404
Corner Franklin and Cedar

● **Moline, Ill.**
1808 11th St.
Rock Island, Ill 61201

● **Newark, N. J.**
28 Kennedy Blvd.
East Brunswick, N. J. 08816

● **New Orleans, La.** 70125
960 South Genois Street

● **Philadelphia, Pa.**
651 Park Ave.
King of Prussia, Pa. 19406

● **Pittsburgh, Pa.** 15220
6 Parkway Ctr.

★ **Richmond, Va.** 23230
3431 West Leigh St.

● **San Francisco, Calif.**
14299 Wicks Blvd.
San Leandro, Calif. 94577

★ **Schenectady, N. Y.** 12303
723 Crane St.

● **Seattle, Wash.** 98188
345 Andover Park East

● **St. Louis, Mo.** 63132
1515 Page Industrial Blvd.

★ **Tampa, Fla.** 33609
3307 South Westshore Blvd.

★ **Tulsa, Oklahoma** 74120
407 South Peoria Ave.

● **Washington, D. C.** 20006
1627 K. St., N. W.

● Branch and Factory Repair Servicenter.

★ Factory Repair Servicenter only

CANADA

● **Calgary, Alberta, T2H 0B4**
210 61st. Ave., S. W.

● **Montreal 111, Quebec**
620 Cathcart St.
P.O. Box 1148

Canadian Ingersoll-Rand Co., Limited
Montreal 111, Quebec
620 Cathcart St.
P.O. Box 610

● **Sudbury, Ontario**
P. O. Box 2220

● **Toronto 12, Ontario**
255 Leamill Road.
Don Mills

● **Vancouver 4, British Columbia**
1695 Main St.

● **Edmonton, Alberta, T5L 2Y3**
14530 123rd. Ave.

● **Sherbrooke, Quebec**
375 Courcellette St.

● Branch Repair Depots

● **Winnipeg, Manitoba, R3H 0M6**
1234 Border St., St. James