

PARTS, OPERATION AND MAINTENANCE MANUAL for MANUAL CHAIN HOIST MODELS

SM005
1/2 ton

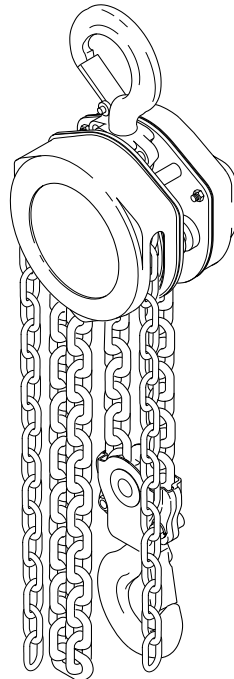
SM010
1 ton

SM015
1-1/2 ton

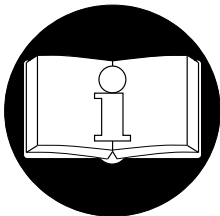
SM020
2 ton

SM030
3 ton

SM050
5 ton



Unless otherwise noted, tons in this manual are metric tons.
1 metric ton = 2,200 lb.



READ THIS MANUAL BEFORE USING THESE PRODUCTS. This manual contains important safety, installation, operation and maintenance information. Make this manual available to all persons responsible for the operation, installation and maintenance of these products.

⚠ WARNING

Do not use this hoist for lifting, supporting, or transporting people or lifting or supporting loads over people.

Always operate, inspect and maintain this hoist in accordance with American National Standards Institute Safety Code (ASME B30.16) and any other applicable safety codes and regulations.

Refer all communications to the nearest Ingersoll-Rand Material Handling Office or Distributor.

SAFETY INFORMATION

This manual provides important information for all personnel involved with the safe installation, operation and proper maintenance of this product. Even if you feel you are familiar with this or similar equipment, you should read this manual before operating the product.

Danger, Warning, Caution and Notice

Throughout this manual there are steps and procedures which, if not followed, may result in a hazard. The following signal words are used to identify the level of potential hazard.

DANGER

Danger is used to indicate the presence of a hazard which *will* cause *severe* injury, death, or substantial property damage if the warning is ignored.

WARNING

Warning is used to indicate the presence of a hazard which *can* cause *severe* injury, death, or substantial property damage if the warning is ignored.

CAUTION

Caution is used to indicate the presence of a hazard which *will* or *can* cause *minor* injury or property damage if the warning is ignored.

NOTICE

Notice is used to notify people of installation, operation, or maintenance information which is important but not hazard-related.

Safety Summary

WARNING

- Do not use this hoist for lifting, supporting, or transporting people or lifting or supporting loads over people.
- Hoists are designed to provide a 4 to 1 safety factor. The supporting structures and load-attaching devices used in conjunction with this hoist must provide adequate support to handle all hoist operations, plus the weight of the hoist and attached equipment. This is the customer's responsibility. If in doubt, consult a registered structural engineer.

The National Safety Council, Accident Prevention Manual for Industrial Operations, Eighth Edition and other recognized safety sources make a common point: Employees who work near cranes or assist in hooking on or arranging a load should be instructed to keep out from under the load. From a safety standpoint, one factor is paramount: conduct all lifting operations in such a manner that if there were an equipment failure, no personnel would be injured. This means keep out from under a raised load and keep out of the line of force of any load.

Ingersoll-Rand Material Handling hoists are manufactured in accordance with the latest ASME B30.16 standards.

The Occupational Safety and Health Act of 1970, generally places the burden of compliance with the user, not the manufacturer. Many OSHA requirements are not concerned or connected with the manufactured product but are, rather, connected with the final installation. It is the owner's and user's responsibility to determine the suitability of a product for any particular use. It is recommended that all applicable industry, trade association, federal, state and local regulations be checked. Read all operating instructions and warnings before operation.

Rigging: It is the responsibility of the operator to exercise caution, use common sense and be familiar with proper rigging techniques. Refer to ASME B30.9 for rigging information, American National Standards Institute, 1430 Broadway, New York, NY 10018.

SAFE OPERATING INSTRUCTIONS

The following warnings and operating instructions have been adapted in part from American National (Safety) Standard ASME B30.16 (Overhead Hoists) and are intended to avoid unsafe operating practices which might lead to injury or property damage.

Ingersoll-Rand recognizes that most companies who use hoists have a safety program in force in their plants. In the event that some conflict exists between a rule set forth in this publication and a similar rule already set by an individual company, the more stringent of the two should take precedence.

Safe Operating Instructions are provided to make an operator aware of unsafe practices to avoid and are not necessarily limited to the following list. Refer to specific sections in the manual for additional safety information.

1. Only allow people, trained in safety and operation of this product, to operate the hoist.
2. Only operate a hoist if you are physically fit to do so.
3. When a **"DO NOT OPERATE"** sign is placed on the hoist, do not operate the hoist until the sign has been removed by designated personnel.
4. Before each shift, the operator should inspect the hoist for wear or damage.
5. Never use a hoist which inspection indicates is worn or damaged.
6. Periodically, inspect the hoist thoroughly and replace worn or damaged parts. Refer to the "INSPECTION" Section.
7. Lubricate the hoist regularly. Refer to the "LUBRICATION" Section.
8. Do not use hoist if hook latch has been sprung or broken.
9. Check that the hook latches are engaged before using.
10. Never splice a hoist chain by inserting a bolt between links.

11. Only lift loads less than or equal to the rated capacity of the hoist. Refer to the "SPECIFICATIONS" Section.
12. When using two hoists to suspend one load, select two hoists each having a rated capacity equal to or more than the load. This provides adequate safety in the event of a sudden load shift.
13. Never place your hand inside the throat area of a hook.
14. Never use the hoist load chain as a sling.
15. Never operate a hoist when the load is not centered under the hook. Do not "side pull" or "yard."
16. Never operate a hoist with twisted, kinked, "capsized" or damaged load chain.
17. Do not force a chain or hook into place by hammering.
18. Never insert the point of the hook into a chain link.
19. Be certain the load is properly seated in the saddle of the hook and the hook latch is engaged.
20. Do not support the load on the tip of the hook.
21. Never run the load chain over a sharp edge. Use a sheave.
22. Pay attention to the load at all times when operating the hoist.
23. Always ensure that you, and all other people, are clear of the path of the load. Do not lift a load over people.
24. Never use the hoist for lifting or lowering people, and never allow anyone to stand on a suspended load.
25. Ease the slack out of the chain and sling when starting a lift. Do not jerk the load.
26. Do not swing a suspended load.
27. Never weld or cut on a load suspended by the hoist.
28. Never use the hoist chain as a welding electrode.
29. Do not operate hoist if chain jumping, excessive noise, jamming, overloading, or binding occurs.
30. Only operate the hoist with manual power.
31. After use, or when in a non-operational mode, the chain hoist should be secured against unauthorized and unwarranted use.
32. Do not leave a load suspended when the hoist is unattended or not in use.


WARNING TAG

Each hoist is supplied from the factory with a multi-language warning tag. If the tag is not attached to your unit, order a new tag and install it. Refer to the parts list for the part number. Read and obey all warnings and other safety information attached to this hoist. Tag may be shown smaller than actual size.

⚠
WARNING

Failure to follow these warnings may result in death, severe injury or property damage:

- Do not operate this hoist before reading operation and maintenance manual.
- Do not lift more than rated load.
- Do not lift people or loads over people.
- Do not operate hoist with twisted, kinked or damaged chain.
- Do not operate a damaged or malfunctioning hoist.
- Do not operate when chain cannot form straight line with load.
- Do not operate lever hoist with handle extension.
- Do not operate hoist with other than manual power.
- Do not remove or obscure warning labels.



SPECIFICATIONS

General

The Manual Chain Hoist can be mounted to the suspension shaft of a trolley or a permanent mounting structure. The hoist is designed to lift and lower loads up to rated capacity with minimal hand chain effort.

To determine your basic hoist configuration, refer to the capacity and lot number label located on the gear end cover for model number information.

Model Code Explanation

Example: SM005-10-8-E

Series:	SM	=	Silver Series Manual Hoist
Hoist Capacity:	005	=	1/2 metric ton / 500 kg (1,100 lbs.)
	010	=	1 metric ton / 1,000 kg (2,200 lbs.)
	015	=	1-1/2 metric ton / 1,500 kg (3,300 lbs.)
	020	=	2 metric ton / 2,000 kg (4,400 lbs.)
	030	=	3 metric ton / 3,000 kg (6,600 lbs.)
	050	=	5 metric ton / 5,000 kg (11,000 lbs.)
Lift (Hoist load chain/hook travel):	10	=	10 feet (3 m) (standard)
	15	=	15 feet (5 m)
	20	=	20 feet (6 m)
	XX	=	Specify length
	F	=	Hoist without load chain
Hand Chain (Hand chain is 2 ft. less than lift):	8	=	8 feet (standard) (10 foot lift minus 2 feet)
	13	=	13 feet (15 foot lift minus 2 feet)
	18	=	18 feet (20 foot lift minus 2 feet)
	XX	=	Specify length
Compliance:	E	=	Meets European Machinery Directives

Specifications Table

Model No.	Rated Capacity (metric tons)*	Pull to lift rated load		Load Chain size (mm)	Hand Chain Overhauled to lift load 1 ft (0.3 m)		No. of chain falls	Hoist Net Weight with standard 10 ft. (3 m) lift	
		lb	kg		ft	m		lb	kg
SM005	1/2	48	21	5.0 x 15	25	7.6	1	18	8
SM010	1	75	34	6.3 x 19	39	11.9		26	12
SM015	1-1/2	84	38	8.0 x 24	58	17.7		39	18
SM020	2	81	36	6.3 x 19	75	22.9	2	35	16
SM030	3	90	40	8.0 x 24	116	35.4		55	25
SM050	5	97	43	9.0 x 27	187	57.0		86	39

* One metric ton = 2,200 lbs.

INSTALLATION

Prior to installing the hoist, carefully inspect it for possible shipping damage.

Hoists are supplied fully lubricated from the factory. Lubrication of the load chain is recommended before initial hoist operation.

⚠ CAUTION

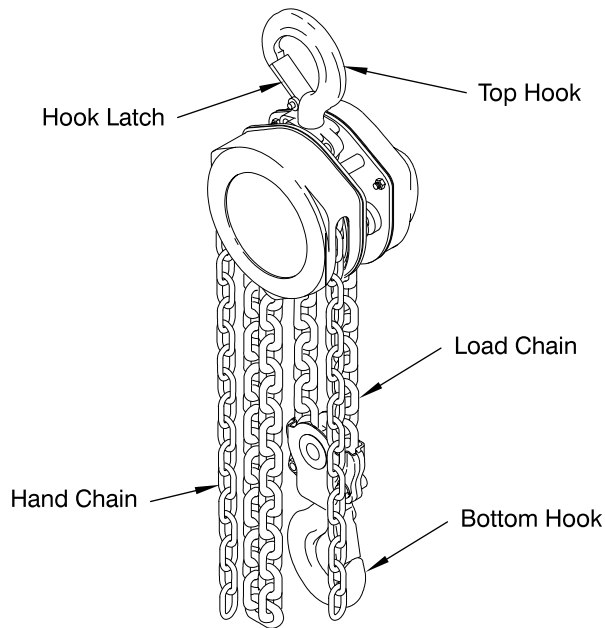
• Owners and users are advised to examine specific, local or other regulations, including American National Standards Institute and/or OSHA Regulations which may apply to a particular type of use of this product, before installing or putting hoist to use.

⚠ WARNING

• A falling load can cause injury or death. Before installing, read "SAFETY INFORMATION".

Hoists are designed to provide a 4 to 1 safety factor. The supporting structures and load-attaching devices used in conjunction with this hoist must provide adequate support to handle all hoist operations, plus the weight of the hoist and attached equipment. If in doubt, consult a registered structural engineer.

The SM manual chain hoist must be used in a vertical position to provide a straight line pull from top hook to bottom hook. The hoist must be positioned so that it does not contact the support members when in use. When operating in limited areas suitable lifting attachments or slings must be used to prevent the hoist body and hand chain from being obstructed.



(Dwg. MHP0832)

Initial Operating Checks

⚠ CAUTION

- Ensure the hoist top hook is properly installed on the support member and the hook latch is engaged.

Operate the hoist with a test load (10% of rated capacity) by raising and lowering this load several times. Verify the brake operation by lowering the same load to check load does not slip when lowering stops.

NOTICE

- Each time a load is lifted, the operation of the load brake should be checked by raising the load slightly and stopping to ensure the brake will hold the load before proceeding to lift the load.

Familiarize operators and people responsible for hoist installation and service with ASME B30.16 specifications prior to placing the unit into service. All the requirements of this specification, including testing should be met before approving the hoist for operation.

OPERATION

The four most important aspects of hoist operation are:

1. Follow all safety instructions when operating the hoist.
2. Allow only personnel trained in safety and the operation of this hoist to operate the hoist.
3. Subject each hoist to a regular inspection and maintenance procedure.
4. Be aware of the hoist capacity and weight of load at all times.

⚠ WARNING

- The hoist is not designed or suitable for lifting, lowering or moving persons. Never lift loads over people.

Hoist Operation

When facing the hand chain side of the hoist:

1. Pull down on the right hand chain (clockwise) to raise load.
2. Pull down on the left hand chain (counterclockwise) to lower load.

NOTICE

- The clicking sound of the pawl on the ratchet gear is normal when a load is being raised.

Storing the Hoist

1. Always store the hoist in a no load condition.
2. Wipe off all dirt and water.
3. Oil the chain, hook pins and hook latch pins.
4. Hang in a dry place.
5. Before returning hoist to service follow instructions for "Hoists not in Regular Use" in the "INSPECTION" section.

INSPECTION

⚠ WARNING

- All new, altered or modified equipment should be inspected and tested by personnel trained in safety, operation and maintenance of this equipment to ensure safe operation at rated specifications before placing equipment in service.

Frequent and periodic inspections should be performed on equipment in regular service. Frequent inspections are visual examinations performed by operators or service personnel and include observations made during routine equipment operation. Periodic inspections are thorough inspections conducted by personnel trained in the safety, operation and maintenance of this equipment. ASME B30.16 states inspection intervals

depend upon the nature of the critical components of the equipment and the severity of usage.

Careful inspection on a regular basis will reveal potentially dangerous conditions while still in the early stages, allowing corrective action to be taken before the condition becomes dangerous.

Deficiencies revealed through inspection, or noted during operation, must be reported to designated personnel trained in safety, operation and maintenance of this equipment. A determination as to whether a condition constitutes a safety hazard must be decided, and the correction of noted safety hazards accomplished and documented by written report before placing the equipment in service.

Records and Reports

Inspection records, listing all points requiring periodic inspection should be maintained for all load bearing equipment. Written reports, based on severity of service, should be made on the condition of critical parts as a method of documenting **periodic** inspections. These reports should be dated, signed by the person who performed the inspection, and kept on file where they are readily available for review.

NOTICE

• **The external placement of coded marks on equipment identifying completed inspections and operationally certified equipment is an acceptable method of documenting periodic inspections in place of written records.**

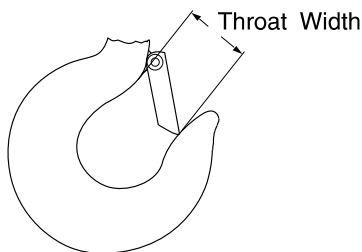
Load Chain Reports

Records should be maintained documenting the condition of load chain removed from service as part of a long-range load chain inspection program. Accurate records will establish a relationship between visual observations noted during frequent inspections and the actual condition of the load chain as determined by periodic inspection methods.

Frequent Inspection

The Manual Chain Hoist should be inspected at the beginning of each shift. Visual inspections should also be conducted during regular service for any damage or evidence of malfunction which appears between regular inspections.

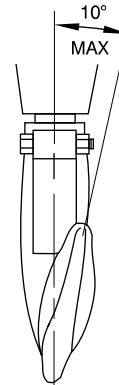
1. **OPERATION.** Check for visual signs or abnormal noises which could indicate a potential problem. Do not operate a hoist unless the load chain feeds through the hoist and hook block smoothly. Listen for “clicking”, binding or malfunctioning. The clicking sound of the pawl on the ratchet gear is normal when a load is being raised. If chain binds, jumps, or is excessively noisy, clean and lubricate the chain. If problem persists, the chain and load sheave may have to be replaced. Do not operate the hoist until all problems have been corrected. Check that hand chain moves freely and without binding or excessive drag. Load chain travel should stop when hand chain stops moving.
2. **HOOKS.** Check for wear or damage, increased throat width, bent shank or twisting of hook. Replace hooks which exceed the throat opening discard width (15%) shown in Table 1 (refer to Dwg. MHP0040) or exceed a 10° twist (refer to Dwg. MHP0111). If the hook latch snaps past the tip of the hook, the hook is sprung and must be replaced. Check hooks swivel easily and smoothly. Repair or lubricate as necessary.



(Dwg. MHP0040)

Table 1

Model No.	Throat Width		Discard Width	
	in	mm	in	mm
SM005	0.87	22.1	1.00	25.4
SM010	1.04	26.5	1.19	30.5
SM015	1.18	30	1.36	34.5
SM020	1.26	32	1.45	36.8
SM030	1.38	35	1.59	40.2
SM050	1.53	39	1.76	44.8



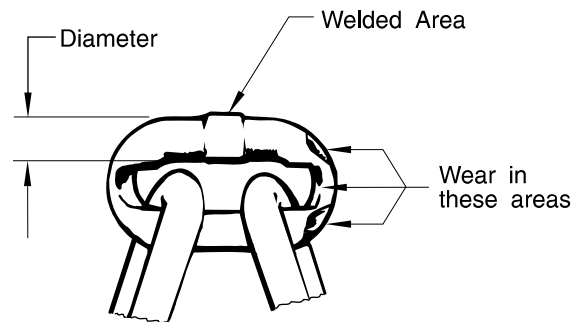
Twisted
DO NOT USE



Normal
Can Be Used

(Dwg. MHP0111)

3. **HOOK LATCHES.** Check operation of the hook latches. Replace if broken or missing.
4. **CHAIN.** Refer to Dwg. MHP0102. Examine each link for bending, cracks in weld areas or shoulders, transverse nicks and gouges, weld splatter, corrosion pits, striation (minute parallel lines) and chain wear, including bearing surfaces between chain links. Replace a chain that fails any of the inspections. Check lubrication and lubricate if necessary. Refer to “Load Chain” in the “LUBRICATION” Section.



(Dwg. MHP0102)

⚠ CAUTION

• **The full extent of chain wear cannot be determined by visual inspection. At any indication of chain wear, inspect chain and load sheave in accordance with instructions in “Periodic Inspection.”**

• **A worn load chain may cause damage to the load sheave. Inspect the load sheave and replace if damaged or worn.**

5. **LOAD CHAIN REEVING.** Make sure welds on standing links are away from load sheave. Reinstall chain if

necessary. Check that the last link of the load chain is securely connected. On 2, 3 and 5 ton hoists, make sure chain is not capsized, twisted or kinked. Adjust as required.

Periodic Inspection

According to ASME B30.16, frequency of periodic inspection depends on the severity of usage:

NORMAL	HEAVY	SEVERE
yearly	semiannually	quarterly

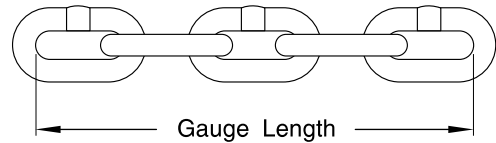
Disassembly may be required for HEAVY or SEVERE usage. Keep accumulative written records of periodic inspections to provide a basis for continuing evaluation. Inspect all items in "Frequent Inspection." Also inspect the following:

1. FASTENERS. Check rivets, capscrews, nuts, cotter pins and other fasteners on hooks and hoist body. Replace if missing and tighten or secure if loose.
2. ALL COMPONENTS. Inspect for wear, damage, distortion, deformation and cleanliness. If external evidence indicates the need, disassemble. Check gears, shafts, bearings, sheaves, chain guides, springs and covers. Replace worn or damaged parts. Clean, lubricate and reassemble.
3. HOOKS. Inspect hooks for cracks. Use magnetic particle or dye penetrant to check for cracks. Inspect hook retaining parts. Tighten, repair or replace if necessary. Refer to the latest edition of ASME B30.10 (Hooks) for additional hook inspection information.
4. CHAIN SHEAVES. Check for damage or excessive wear. Replace if necessary.
5. BRAKE. Ensure proper operation. Brake should not slip with test load (rated capacity). If load test indicates the need, disassemble. Brake discs must be free of oil, any grease, unglazed and uniform in thickness. Refer to "MAINTENANCE" Section for allowable brake disc wear. Check all other brake surfaces for wear, deformation or foreign deposits. Inspect gear teeth, pawl and pawl spring for damage. Check that brake pawl stops counterclockwise rotation of ratchet gear. Clean and replace damaged components as necessary.
6. SUPPORTING STRUCTURE. If a permanent structure is used, inspect for continued ability to support load.
7. LABELS AND TAGS. Check for presence and legibility. Replace if necessary.

8. END ANCHOR. Ensure end anchor is installed and unbent. Replace if missing or damaged. Refer to "Attaching End of Load Chain" in the "MAINTENANCE" Section.
9. LOAD CHAIN. Measure the chain for stretching by measuring across five link sections all along the chain length. Refer to Dwg. MHP0041. When any five links in the working length reach or exceed the discard length shown in Table 2, replace the entire chain. Always use a genuine **Ingersoll-Rand** Material Handling replacement chain.

Table 2: Load Chain Length Inspection

Model No.	Chain Size	Normal Length		Discard Length	
		mm	in	in	mm
SM005	5x15	2.95	75.0	3.03	77.0
SM010	6.3x19	3.74	95.0	3.83	97.4
SM015	8x24	4.72	120.0	4.85	123.0
SM020	6.3x19	3.74	95.0	3.83	97.4
SM030	8x24	4.72	120.0	4.84	123.0
SM050	9x27	5.30	135.0	5.43	138.0



(Dwg. MHP0041)

Hoists not in Regular Use

1. Hoists which have been idle for a period of one month or more, but less than one year should be given an inspection conforming with the requirements of "Frequent Inspection" before being placed in service.
2. Hoists which have been idle for a period of over one year should be given a complete inspection conforming with the requirements of "Periodic Inspection" before being placed in service.
3. Standby hoists should be inspected at least semiannually in accordance with the requirements of "Frequent Inspection". In abnormal operating conditions, equipment should be inspected at shorter intervals.

LUBRICATION

General

Thread lubricant or an antiseize compound use is recommended for threaded shafts, capscrews and nuts. Unless otherwise stated, remove old lubricant, clean the part with an acid free solvent and apply a new coating of lubricant to the part before assembly.

Gears (37 and 40)

Remove nuts (16) and lockwashers (15), on the opposite side of the hoist as the hand chain, and remove gear cover (42). Remove old grease and replace with new. For temperatures -20° to 50° F (-29° to 10° C) use EP 1 grease or equivalent. For temperatures 30° to 120° F (-1° to 49° C) use EP 2 grease or equivalent.

Load Chain



• **Failure to maintain clean and well lubricated load chain may result in chain failure causing injury, death or substantial property damage.**

1. Lubricate each link of the load chain weekly. Apply new lubricant over existing layer.
2. In severe applications or corrosive environments, lubricate more frequently than normal.
3. Lubricate hook and hook latch pivot points with the same lubricant used on the load chain.
4. To remove rust or abrasive dust build-up, clean chain with acid free solvent. After cleaning, lubricate the chain.
5. Use **Ingersoll-Rand** LUBRI-LINK-GREEN® or a SAE 50 to 90 EP oil.

TROUBLESHOOTING

This section provides basic troubleshooting information. Specific causes to problems are best identified by thorough inspections performed by personnel instructed in safety, operation and maintenance of this equipment. The chart below provides a brief guide to common hoist symptoms, probable causes and remedies.

SYMPTOM	CAUSE	REMEDY
Hoist will not operate.	Hoist is overloaded.	Reduce load to within rated capacity.
Load continues to move when hoist is stopped.	Brake is slipping.	Check brake adjustment and brake disc wear. Check brake discs are clean.
	Hoist is overloaded.	Reduce load to within rated capacity.
Load chain binds.	Damaged load chain, pinion shaft, gears or sheaves.	Disassemble hoist, inspect and repair or replace damaged components.
	Load chain not installed properly (twisted, kinked or "capsized")	Remove load chain and reinstall.
Hand chain binds.	Damaged hand chain, hand chain wheel, pinion shaft, gears, load chain, sheaves.	Disassemble hoist, inspect and repair or replace damaged components.
	Hand chain not installed properly (twisted or kinked).	Remove hand chain and reinstall.
Load hook latch does not work.	Latch broken.	Replace hook latch.
	Load hook bent or twisted.	Inspect load hook as described in "INSPECTION" section. Replace if necessary.

MAINTENANCE

⚠ WARNING

- Never perform maintenance on the hoist while it is supporting a load.
- Before performing maintenance, tag hoist: **DANGER - DO NOT OPERATE - EQUIPMENT BEING REPAIRED.**
- Only allow personnel trained in the operation and service of this product to perform maintenance.
- After performing maintenance on the hoist, test to 125% of its rated capacity before returning to service. Testing to 150% of rated capacity might be required to comply with standards and regulations set forth in areas outside of the USA.

Installing New Load Chain

NOTICE

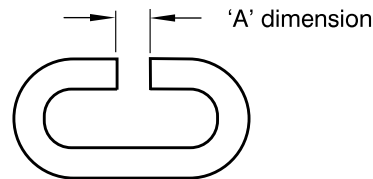
- Do not remove the old load chain from the hoist. The old load chain can be used to install the new load chain.

⚠ WARNING

- To prevent a falling load, which can cause death, injury or property damage, the hook (17) must be on left fall of load chain (26) and right fall must be attached to hoist body with anchor pin (31). Right and left designations are as viewed from the hand chain side of the hoist.

1. Remove end of load chain from anchor pin (32).
 - a. 1/2, 1 and 1-1/2 ton units are single fall hoists. The load end of the load chain (27) is anchored to the bottom hook assembly (58). To disconnect the load chain from the bottom hook assembly (58) remove anchor pin (45) and nut (46).

- b. 2, 3 and 5 ton units are double chain fall hoists. The load end of the load chain (27) is anchored to the suspension plates (25). To disconnect the load chain from the suspension plates (25) remove anchor bolt (30) and nut (24).
2. Make a "C" link in new load chain by grinding through one side of the end link. Refer to Dwg. MHP0817. To avoid twisting, the load chain on 2, 3 and 5 ton units must have an odd number of links, not counting the "C" link.



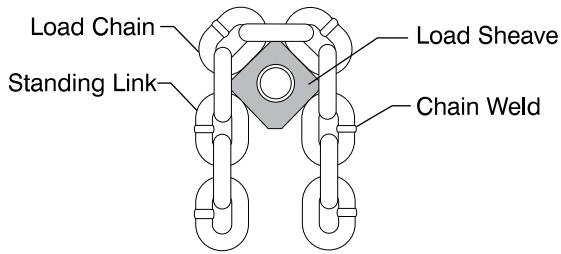
"C" Link

(Dwg. MHP0817)

Table 3: "C" Link Size

Dimension		1/2 ton	1 & 2 ton	1-1/2 & 3 ton	5 ton
Wire Dia.	in	0.197	0.248	0.315	0.354
	mm	5.0	6.3	8.0	9.0
'A'	in	0.24	0.28	0.38	0.43
	mm	6	7.2	9.6	10.8

3. Using a "C" link, join the old load chain to the new load chain. (If the old load chain was installed correctly, the "C" link assures end link of new load chain will be correctly reeved through the hoist.) Be sure welds of "standing" links on the new load chain are facing away from the hoist load sheave (26). Refer to Dwg. MHP0042.

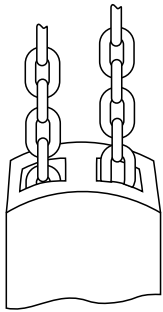


(Dwg. MHP0042)

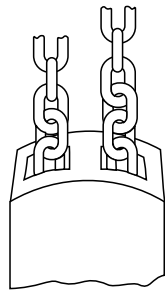
4. Run the new chain to its anchor point. On smaller units, use the hand chain (6) to move the load chain. On larger units, load chain (27) installation can be speeded up by removing nuts (16) and lockwashers (15), removing gear cover (43), support plate (42) and taking out gears (41). With the gears (41) removed, the load chain (27) can be pulled by hand through the hoist body and hook blocks. Reinstall gears, support plate (42), gear cover (43), nuts (16) and lockwashers (15).
5. Remove “C” link and old chain.
6. On 1/2, 1 and 1-1/2 ton hoists, anchor load chain (27) to bottom hook (58). On 2, 3 and 5 ton units, secure load chain to suspension plates (25) using anchor bolt (30) and nut (24).

For information on connecting unloaded end of load chain, refer to “Attaching End of Load Chain” Section.

7. Check for the following:
 - a. The load chain did not become twisted, when reeving the load chain (27) between the idler sheave on the bottom hook assembly and the hoist load sheave. Refer to Dwg. MHP0020.
 - b. Make sure load chain (27) is reeved between load sheave (26) and chain guides (19).



Appearance of chain that is Not Twisted



Appearance of chain that Is Twisted

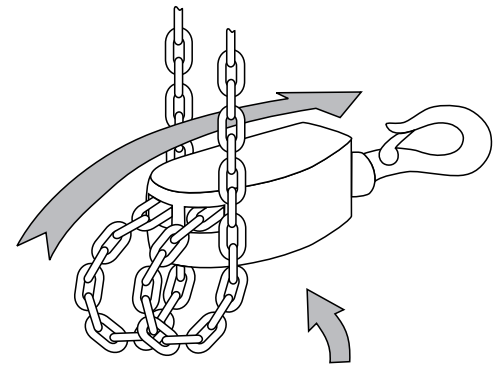
(Dwg. MHP0020)

Attaching End of Load Chain

1. Remove cotter pins (31) from anchor pin (32). Push anchor pin into one of the side plates.
2. Position end link of load chain (27) on anchor pin.
3. Reposition anchor pin to engage both side plates.
4. Install cotter pins (31) in anchor pin on either side of load chain and bend ends apart.

On 2, 3 and 5 ton hoists, ensure load chain (27) is not twisted, kinked or “capsized.” Refer to Dwg. MHP0043.

Capsized Hook



Make certain the bottom block has NOT been flipped through the chain falls

(Dwg. MHP0043)

General Disassembly

The following instructions provide the necessary information to disassemble, inspect, repair, and assemble the hoist. Parts drawings of the hoist assembly are provided in the Parts Section. If a hoist is being completely disassembled for any reason, follow the order of the topics as they are presented.

It is recommended that all maintenance work on the hoist be performed on a bench.

In the process of disassembling the hoist, observe the following:

1. Never disassemble the hoist any further than is necessary to accomplish the needed repair. A good part can be damaged during the course of disassembly.
2. Never use excessive force when removing parts. Tapping gently around the perimeter of a cover or housing with a soft hammer, for example, is sufficient to break the seal.
3. Do not apply heat to a part to free it for removal. In general, the hoist is designed to permit easy disassembly and assembly. The use of heat or excessive force should not be required.
4. Keep the work area as clean as practical, to prevent dirt and other foreign matter from getting into bearings or other moving parts.
5. When grasping a part in a vise, always use leather-covered or copper-covered vise jaws to protect the surface of the part and help prevent distortion. This is particularly true of threaded members, machined surfaces and housings.
6. Do not remove any part which is press fit in or on a subassembly unless the removal of that part is necessary for repairs or replacement.

Disassembly

Accessing Gear End

1. Remove the three nuts (16) and lockwashers (15) from the threaded posts on gear cover (43).
2. Remove gear cover (43).
3. Remove nuts (10) and (13) along with lockwashers (11) and (14) from support plate (42).
4. Remove support plate (42) and gears (41).
5. Remove retainer ring (39) from load sheave (26) and pry off gear (38).

Accessing Brake End

1. Remove the three nuts (16) and lockwashers (15) from the threaded posts on hand wheel cover (1).
2. Remove the hand wheel cover (1).
3. Remove cotter pin (4) and nut (3) from pinion shaft (40).
4. Secure load sheave (26) to prevent rotation and unscrew handwheel (5) from pinion shaft (40).

- Remove brake discs (7) and ratchet disc (8).
- Secure load sheave (26) to prevent rotation and unscrew brake hub (9) from the pinion shaft (40).

NOTICE

• **If ratchet pawls or springs are damaged or not functioning then complete side plate assembly (brake end) must be replaced.**

Accessing Load Sheave

Follow steps 1 through 6 in “Accessing Brake End” and steps 1 through 5 in “Accessing Gear End”.

- Remove cotter pin (33) from top hook pin (34). Pull out top hook pin (34) and remove top hook assembly (17).
- Remove nuts (10) and (13) along with lockwashers (11) and (14) from side plate spacers (35) and (37) on the side plate assembly (brake side) (12).
- Carefully remove side plate assembly (brake side) (12) to avoid loosening rollers (20).
- Remove rollers (20), two chain guides (19), chain stripper (22) and anchor pin (32).
- Carefully remove side plate (gear side) (36) from load sheave (26) to avoid loosening rollers (20).
- Remove second set of rollers (20).
- If necessary tap side plate spacers (35) and (37) from side plate.

Bottom Hook Disassembly

- Remove two capscrews (52), lockwashers (53) and nuts (54).
- Separate plates (51) and remove hook (50).
- Lift out sheave assembly. Carefully slide idler sheave shaft (57) from idler sheave (55) and remove rollers (56).

Cleaning, Inspection and Repair

Use the following procedures to clean and inspect the components of the hoist.

Cleaning

Clean all hoist component parts in an acid free solvent (except for the brake disc). The use of a stiff bristle brush will facilitate the removal of accumulated dirt and sediments on the gears and frames. Dry each part using low pressure, filtered compressed air.

Inspection

All disassembled parts should be inspected to determine their fitness for continued use. Pay particular attention to the following:

- Inspect all gears for worn, cracked, or broken teeth.
- Inspect shafts for ridges caused by wear. If ridges caused by wear are apparent on shafts, replace the shaft.
- Inspect all threaded items and replace those having damaged threads.
- Measure the thickness of the brake discs. If brake discs do not have uniform thickness or are less than 5/64 in. (2 mm) thick replace brake discs.
- Inspect ratchet pawls and springs on side plate assembly. Replace complete side plate assembly if pawls and/or springs are damaged or fail to operate.

Repair

Actual repairs are limited to the removal of small burrs and other minor surface imperfections from gears and shafts. Use a fine stone or emery cloth for this work.

- Worn or damaged parts must be replaced. Refer to the applicable parts listing for specific replacement parts information.

- Inspect all remaining parts for evidence of damage. Replace or repair any part which is in questionable condition. The cost of the part is often minor in comparison with the cost of redoing the job.
- Smooth out all nicks, burrs, or galled spots on shafts, bores, pins, and bushings.
- Examine all gear teeth carefully, and remove nicks and burrs.
- Polish the edges of all shaft shoulders to remove small nicks which may have been caused during handling.
- Remove all nicks and burrs caused by lockwashers.

Assembly

Load Sheave Assembly

- Install side plate spacers (35) and (37) in side plate (36).
- Apply grease to rollers (20) and position them in the groove of the bearing race located on the gear end of the load sheave (26).
- Install load sheave in side plate (36) ensuring rollers remain in position.
- Install two chain guides (19), chain stripper (22) and anchor pin (32) in side plate (36).
- Apply grease to the second set of rollers (20) and position them in the groove of the bearing race located on the plain end of the load sheave (26). The same number of rollers must be used on either side of the load sheave.
- Carefully install side plate assembly (12) to engage the locating diameters of parts installed in steps 4 and 5. Ensure all rollers (20) remain in position.
- Install lockwashers (11) and (14) and nuts (10) and (13).
- Position top hook assembly between side plates and install top hook pin (34). Install cotter pin (33) and bend ends apart. Cotter pin (33) must be located to the outside of sideplate.

Gear End Assembly

Follow steps 1 through 8 described in “Load Sheave Assembly”.

- Install gear (38) on load sheave (26). Ensure recessed side of gear face is outward. Install retainer ring (39) on load sheave (26) to secure gear (38).
- Install pinion shaft through the center of load sheave (26).
- Install gears (41) so gear teeth are correctly timed and spigots locate in bearing sleeves in side plate (36). Refer to “Gear Timing” section.
- Apply a thick coat of grease as recommended in the “LUBRICATION” section to all gear teeth. Install support plate (42) over gears (41) to engage gear spigots.
- Secure support plate (42) with nuts (10) and (13) and lockwashers (11) and (14).
- Install the gear cover (43). Ensure the threaded posts locate in the side plate (36) holes. Secure with three nuts (16) and lockwashers (15).

Brake End Assembly

Follow steps 1 through 8 described in “Load Sheave Assembly” and steps 1 through 6 described in “Gear End Assembly”.

⚠ CAUTION

• **The brake will not operate properly if there is oil on the brake discs (7).**

- Thread brake hub (9) onto pinion shaft (40) until snug. Stepped side of brake hub must face out.
- Install first brake disc (7) followed by ratchet disc (8) and second brake disc (7). Ratchet disc teeth must engage the two pawls mounted on side plate assembly (12). Counterclockwise rotation of the ratchet disc must be possible.

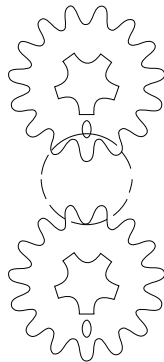
- Secure load sheave (26) to prevent rotation and thread handwheel (5) onto pinion shaft (40) and secure with nut (3). Tighten nut until snug and then back nut off until first slot is aligned with pin hole in pinion shaft (40). Install cotter pin (4) and bend ends apart.
- Wrap hand chain around handwheel and feed ends through slots provided in hand chain wheel cover (1). Install the handwheel cover (1). Ensure the threaded posts locate in the side plate assembly (12) holes. Secure with three nuts (16) and lockwashers (15).

Bottom Hook Assembly (2, 3 and 5 ton hoists only)

- Grease and install the rollers (56) in the groove provided in the bore of the idler sheave (55).
- Install idler sheave shaft (57) through the idler sheave (55) bore. Ensure rollers (56) remain in position.
- Carefully place the assembled parts between the plates (51).
- Install hook (50) between plates (51) and clamp plate halves together with capscrews (52), lockwashers (53) and nuts (54).

Gear Timing

For proper operation, timing marks on the gears (41) must be in the correct positions. The timing marks are circular impressions on the faces of gears (41). Refer to Dwg. MHP0833.



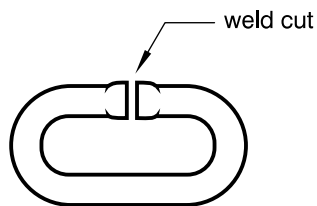
All Models

(Dwg. MHP0833)

Hand Chain Adjustment or Replacement



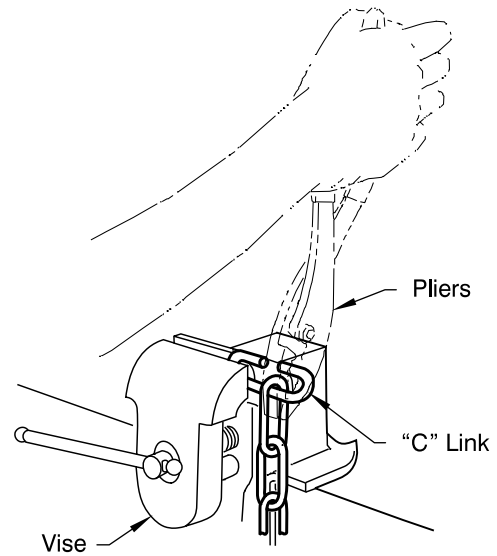
• When cutting the weld side of a hand chain link, do not cut or nick the opposite side. A damaged link must be replaced to prevent premature failure. A falling hand chain could cause injury.



"C" Link

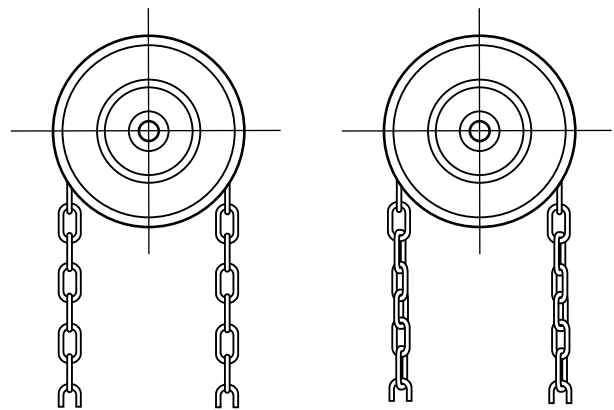
(Dwg. MHP0016)

- To create a "C" link, cut the welded side of the link with a hack saw. Clamp one side of the "C" link in a vise and bend it open by using a pliers to grip the exposed part of the link.



(Dwg. MHP0014)

- If you are replacing the hand chain, disconnect it at the "C" link and carefully remove the hand chain.
- When replacing a hand chain, cut a length 2 times the required hand chain drop plus about one foot (305 mm). For adjustments, remove or add a length of chain twice the difference in hand chain height. To prevent the hand chain from twisting, maintain an even number of links, by removing or adding an even number of links.
- If you are replacing the hand chain, run the new hand chain up through the left hand chain guide, around the handwheel, making sure the hand chain is seated in the handwheel pockets, and back down through the right hand chain guide.
- Connect the hand chain ends with the "C" link(s), making the total number of links even, and bend the "C" link(s) shut.
- Make sure the hand chain is not twisted. If twisted, untwist or open a "C" link and remove one hand chain link if necessary. Refer to Dwg. MHP0015.



Untwisted

Twisted
Do Not Use

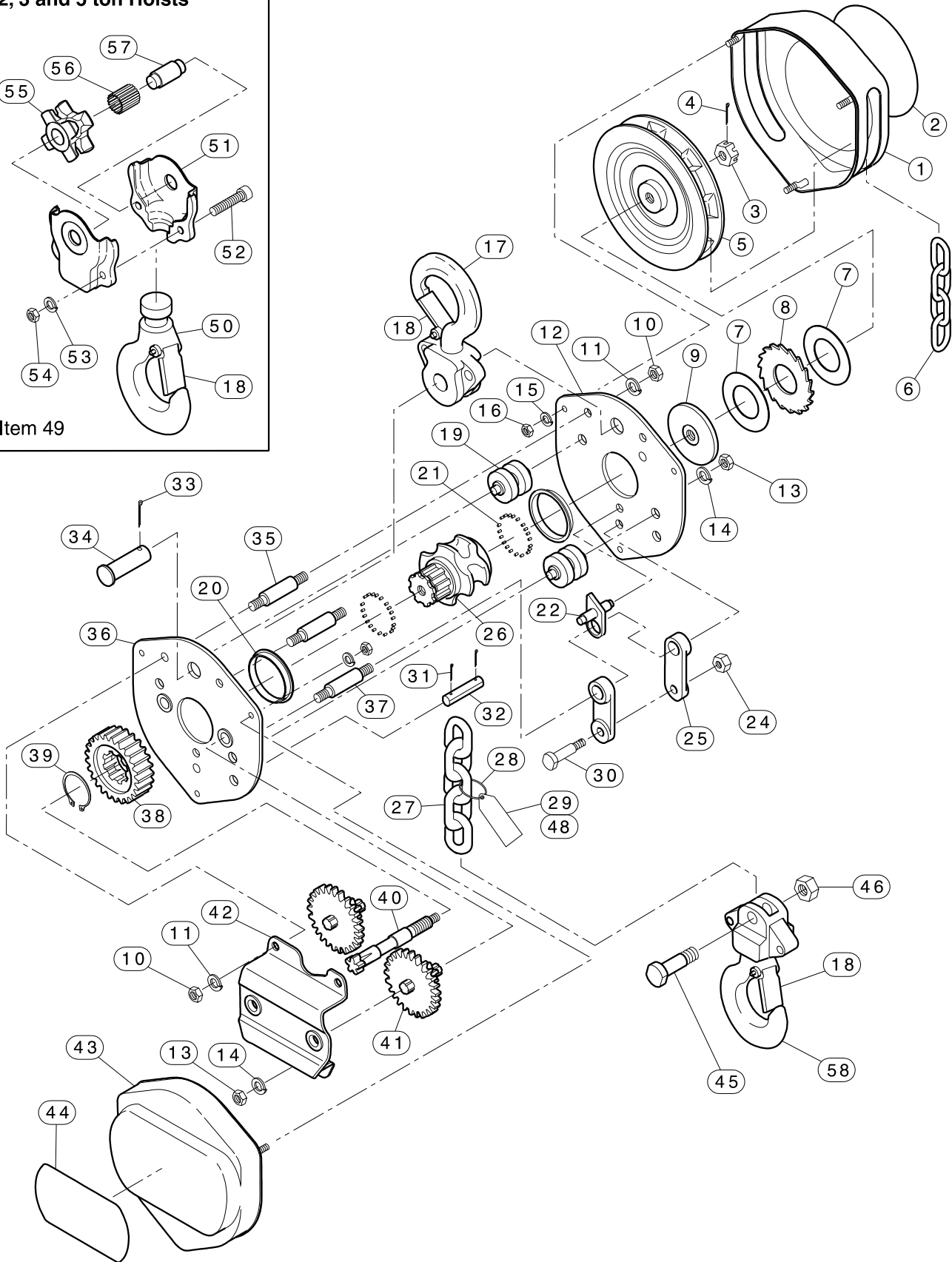
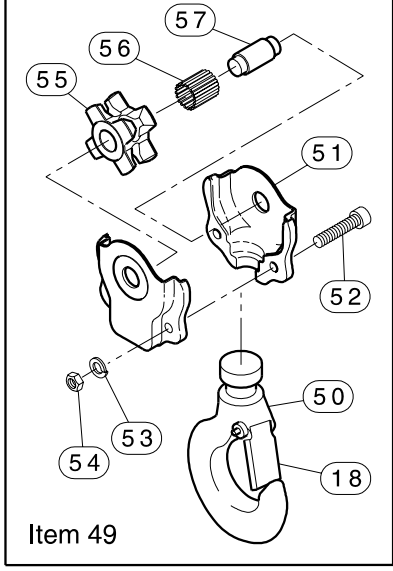
(Dwg. MHP0015)

Load Test

Prior to initial use, all new, extensively repaired, or altered hoists shall be load tested by or under the direction of a person trained in the operation and maintenance of this hoist, and a written report furnished confirming the rating of the hoist. Test hoist to 125% of the rated hoist capacity. Testing to more than 125% may be necessary to comply with standards and regulations set forth in areas outside of the USA.

HOIST ASSEMBLY PARTS DRAWING

2, 3 and 5 ton Hoists



(Dwg. MHP0775)

HOIST ASSEMBLY PARTS LIST

ITEM NO.	DESCRIPTION OF PART	TOTAL QTY.	PART NO.					
			1/2 ton	1 ton	1-1/2 ton	2 ton	3 ton	5 ton
1	Handwheel Cover	1	71294433	71294441	71294458	71294441	71294458	71294482
2	Product Label	1	Contact Factory (Not supplied on all units)					
3	Nut	1	71294466					
4	Cotter Pin	1	71294474					
5	Handwheel	1	71294490	71294508	71294524	71294508	71294524	71294540
6	Hand Chain	1	HCSM005ZP					
• 7	Brake Disc	2	71294557	71294565	71294573	71294565	71294573	71294607
• 8	Ratchet Disc	1	71294615	71294623	71294631	71294623	71294631	71294664
9	Brake Hub	1	71294748	71294755	71294763	71294755	71294763	71294797
10	Nut	4	71294169	71294276	71294284	71294276	71294284	71294292
11	Lockwasher	4	71297295	71297303	71297311	71297303	71297311	71297329
12	Side Plate Assembly (Brake End) Incl's Brake Pawls	1	71295489	71295497	71295505	71295513	71295521	71295539
13	Nut	2	71297337	71297345	71297352	71297345	71297352	71297360
14	Lockwasher	2	71297378	71297386	71297394	71297386	71297394	71297402
15	Lockwasher	6	71297097	71297105	71297113	71297105	71297113	71297121
16	Nut	6	71297410	71297428	71297436	71297428	71297436	71297444
• 17	Top Hook Assembly Incl's items 17, 18, 33 and 34	1	71295547	71295554	71295562	71295570	71295588	71295596
• 18	Hook Latch Kit	1	71295752	71295687	71296446	71295760	71295778	71295786
• 19	Chain Guide	2	71294912	71294920	71294938	71294920	71294938	71294961
20	Bearing Race	2	71295034	71295042	71294011	71295042	71294011	71294029
• 21	Roller	60	---	71294813	71294821	71294813	71294821	---
		66	71294805	---				
		70	---					
22	Chain Stripper	1	71294862	71294870	71294888	71294870	71294888	71294904
24	Nut	1	---			71294086	71294367	71294094
25	Suspension Plate	2	---			71294136	71294144	71294151
26	Load Sheave Assembly	1	71294201	71294219	71294227	71294219	71294227	71294235
27	Load Chain	1	LCCF005	LCCF010	LCCV020	LCCF010	LCCV020	LCCF025
28	Tie	2	HRE20A-283					
29	Warning Tag	1	71301097					
• 30	Anchor Bolt	1	---			71294177	71294185	71294139
31	Cotter Pin	2	Contact Factory					
32	Anchor Pin	1	71297139	71297147	71297154	71297147	71297154	71297162
33	Cotter Pin	1	71294524	71294532	71294581	71294532	71294581	71294599
34	Top Hook Pin	1	71294649	71294656	71294706	71294714	71294771	71294789
35	Side Plate Spacer	2	71294847	71294839	71294896	71294839	71294896	71294946
36	Side Plate Assembly (Gear End) Incl's Gear Bushings	1	71294953	71294995	71295000	71294995	71295000	71295026
37	Side Plate Spacer	1	71294847	71294839	71294342	71294839	71294342	71294359
38	Gear	1	71294672	71294680	71294698	71294680	71294698	71294722
39	Retainer Ring	1	71294243		71294250	71294243	71294250	71294268
40	Pinion Shaft	1	71294300	71294318	71294326	71294318	71294326	71294334
41	Gear Assy	1 set	71294037	71294045	71294052	71294045	71294052	71294060

• Recommended Spare

HOIST ASSEMBLY PARTS LIST (continued)

ITEM NO.	DESCRIPTION OF PART	TOTAL QTY.	PART NO.					
			1/2 ton	1 ton	1-1/2 ton	2 ton	3 ton	5 ton
42	Support Plate Incl's Gear Bushings	1	71295604	71295612	71295620	71295612	71295620	71295638
43	Gear Cover	1	71295117	71294979	71294987	71294979	71294987	71295018
44	Capacity Label	1	71292247	71292254	71292262	71292270	71292288	71292296
• 45	Anchor Bolt	1	71297170	71297188	71297196	---		
46	Nut	1	71297204	71297212	71297220	---		
48	Bag (ziplock)	1	71302582					
• 49	Bottom Hook Assembly Incl's items 18 and 50 thru 56	1	---			71294102	71294110	71294128
50	Hook	1	---			Order Hook Assembly item 49		
51	Plate	2	---			71295695	71295703	71295711
52	Capscrew	2	---			71294425	71295646	71295653
53	Lockwasher	2	---			71294417	71295661	71295679
54	Nut	2	---			71294383	71294391	71294409
55	Idler Sheave	1	---			71295794	71295802	71295810
56	Roller	22	---			71295059	---	
		26	---				71295067	---
		28	---					71295075
57	Idler Sheave Shaft	1	---			71295729	71295737	71295745
58	Bottom Hook Assembly Incl's item 18	1	71297261	71297279	71297287	---		

• Recommended Spare

ACCESSORIES AND KITS PARTS LIST

DESCRIPTION OF PART	PART NO.
Chain Lubricant	LUBRI-LINK-GREEN

PARTS ORDERING INFORMATION

- The use of other than genuine **Ingersoll-Rand** Material Handling replacement parts may adversely affect the safe operation of this product.
- When ordering replacement parts, please specify the following:
1. Complete model number and lot number as it appears on the capacity label.
 2. Part number(s) and part description(s) as shown in this manual.
 3. Quantity required.

The hoist capacity label is located on the gear cover. Example shown is for a 1 ton **SM** hoist, model SM010-E. Label is shown smaller than actual size.



For your convenience and future reference it is recommended that the following information be recorded.

Hoist Model Number: _____

Hoist Lot Number: _____

Date Purchased: _____

Return Goods Policy

Ingersoll-Rand will not accept any returned goods for warranty or service work unless prior arrangements have been made and written authorization has been provided from the location where the goods were purchased.

Hoists returned with opened, bent or twisted hooks, or without chain and hooks, will not be repaired or replaced under warranty.

NOTICE

• **Continuing improvement and advancement of design may cause changes to this hoist which are not included in this manual. Manuals are periodically revised to incorporate changes. Always check the manual edition number on the front cover for the latest issue.**

Disposal

When the life of the hoist has expired, it is recommended that the hoist be disassembled, degreased and parts separated as to materials so that they may be recycled.

For additional information contact:

Ingersoll-Rand Material Handling

2724 Sixth Avenue South
Seattle, WA 98124-0046 USA
Phone: (206) 624-0466
Fax: (206) 624-6265

or

Ingersoll-Rand Material Handling Douai Operations

111, avenue Roger Salengro
59450 Sin Le Noble, France
Phone: (33) 27-93-08-08
Fax: (33) 27-93-08-00

WARRANTY

LIMITED WARRANTY

Ingersoll-Rand Company (**I-R**) warrants to the original user its Hoists and Winches (Products) to be free of defects in material and workmanship for a period of one year from the date of purchase. **I-R** will repair, without cost, any Product found to be defective, including parts and labor charges, or at its option, will replace such Products or refund the purchase price less a reasonable allowance for depreciation, in exchange for the Product. Repairs or replacements are warranted for the remainder of the original warranty period.

If any Product proves defective within its original one year warranty period, it should be returned to any Authorized Hoist and Winch Service Distributor, transportation prepaid with proof of purchase or warranty card.

This warranty does not apply to Products which **I-R** has determined to have been misused or abused, improperly maintained by the user, or where the malfunction or defect can be attributed to the use of non-genuine **I-R** parts.

I-R makes no other warranty, and all implied warranties including any warranty of merchantability or fitness for a particular purpose are limited to the duration of the expressed warranty period as set forth above. I-R's maximum liability is limited to the purchase price of the Product and in no event shall I-R be liable for any consequential, indirect, incidental, or special damages of any nature rising from the sale or use of the Product, whether based on contract, tort, or otherwise.

Note: Some states do not allow limitations on incidental or consequential damages or how long an implied warranty lasts so that the above limitations may not apply to you.

This warranty gives you specific legal rights and you may also have other rights which may vary from state to state.

IMPORTANT NOTICE

It is our policy to promote safe delivery of all orders.

This shipment has been thoroughly checked, packed and inspected before leaving our plant and receipt for it in good condition has been received from the carrier. Any loss or damage which occurs to this shipment while enroute is not due to any action or conduct of the manufacturer.

VISIBLE LOSS OR DAMAGE

If any of the goods called for on the bill of lading or express receipt are damaged or the quantity is short, do not accept them until the freight or express agent makes an appropriate notation on your freight bill or express receipt.

CONCEALED LOSS OR DAMAGE

When a shipment has been delivered to you in apparent good condition, but upon opening the crate or container, loss or damage has taken place while in transit, notify the carrier's agent immediately.

DAMAGE CLAIMS

You must file claims for damage with the carrier. It is the transportation company's responsibility to reimburse you for repair or replacement of goods damaged in shipment. Claims for loss or damage in shipment must not be deducted from the **Ingersoll-Rand** invoice, nor should payment of **Ingersoll-Rand** invoice be withheld awaiting adjustment of such claims as the carrier guarantees safe delivery.

You may return products damaged in shipment to us for repair, which services will be for your account and form your basis for claim against the carrier.

United States Office Locations

For Order Entry and Order Status

**Ingersoll-Rand
Distribution Center**
P.O. Box 618
510 Hester Drive
White House, TN 37188
Phone: (615) 672-0321
Fax: (615) 672-0801

For Technical Support

**Ingersoll-Rand
Material Handling**
P.O. Box 24046
2724 Sixth Avenue South
Seattle, WA 98124-0046
Phone: (206) 624-0466
Fax: (206) 624-6265

Regional Sales Offices

Chicago, IL
888 Industrial Drive
Elmhurst, IL 60126
Phone: (708) 530-3800
Fax: (708) 530-3891

Detroit, MI
23192 Commerce Drive
Farmington Hills, MI 48335
Phone: (810) 476-6677
Fax: (810) 476-6670

Houston, TX
Suite 150
2500 East T.C. Jester
Houston, TX 77008
Phone: (713) 864-3700
Fax: (713) 864-2244

Los Angeles, CA
11909 E. Telegraph Road
Santa Fe Springs, CA 90670
Phone: (310) 948-4189
Fax: (310) 948-1828

Philadelphia, PA
P.O. Box 425
900 E. 8th Ave., Suite 103
King of Prussia, PA 19406
Phone: (610) 337-5930
Fax: (610) 337-5912

International Office Locations

Offices and distributors in principal cities throughout the world. Contact the nearest **Ingersoll-Rand** office for the name and address of the distributor in your country or write/fax to:

**Ingersoll-Rand
Material Handling**
P.O. Box 24046
2724 Sixth Avenue South
Seattle, WA 98124-0046
USA
Phone: (206) 624-0466
Fax: (206) 624-6265

**Canada
National Sales Office
Regional Warehouse
Toronto, Ontario**
51 Worcester Road
Rexdale, Ontario
M9W 4K2
Phone: (416) 675-5611
Fax: (416) 213-4510
Order Desk
Fax: (416) 213-4506

Regional Sales Offices

Calgary, Alberta
44 Harley Road S.E.
Calgary, Alberta
T2V 3K3
Phone: (403) 252-4180
Fax: (403) 252-4462

Edmonton, Alberta
1430 Weber Center
5555 Calgary Trail N.W.
Edmonton, Alberta
T6H 5G8
Phone: (403) 438-5039
Fax: (403) 437-3145

Montreal, Quebec
3501 St. Charles Blvd.
Kirkland, Quebec
H9H 4S3
Phone: (514) 695-9040
Fax: (514) 695-0963

British Columbia
201-6351 Westminster Hwy
Richmond, B. C.
V7C 5C7
Phone: (604) 278-0459
Fax: (604) 278-1254

**Latin America Operations
Ingersoll-Rand
Production Equipment Group**
730 N.W. 107 Avenue, Suite 300
Miami, FL 33172-3107 USA
Phone: (305) 559-0500
Fax: (305) 559-7505

**Europe, Middle East and Africa
Ingersoll-Rand
Material Handling
Douai Operations**
111, avenue Roger Salengro
59450 Sin Le Noble, France
Phone: (33) 27-93-08-08
Fax: (33) 27-93-08-00

**Asia Pacific Operations
Ingersoll-Rand (Japan) Ltd.**
Shin-Yokohama Square Bldg.
(5th Floor)
2-3-12 Shin-Yokohama,
Kouhoku-Ku,
Yokohama-shi, Kanagawa
Pref. 222 Japan
Phone: 81-45-476-7800
Fax: 81-45-476-7806

**Russia
Ingersoll-Rand Company**
World Trade Center
Office 1101
Krasnopresnenskaya Nab. 12
Moscow, Russia 123610