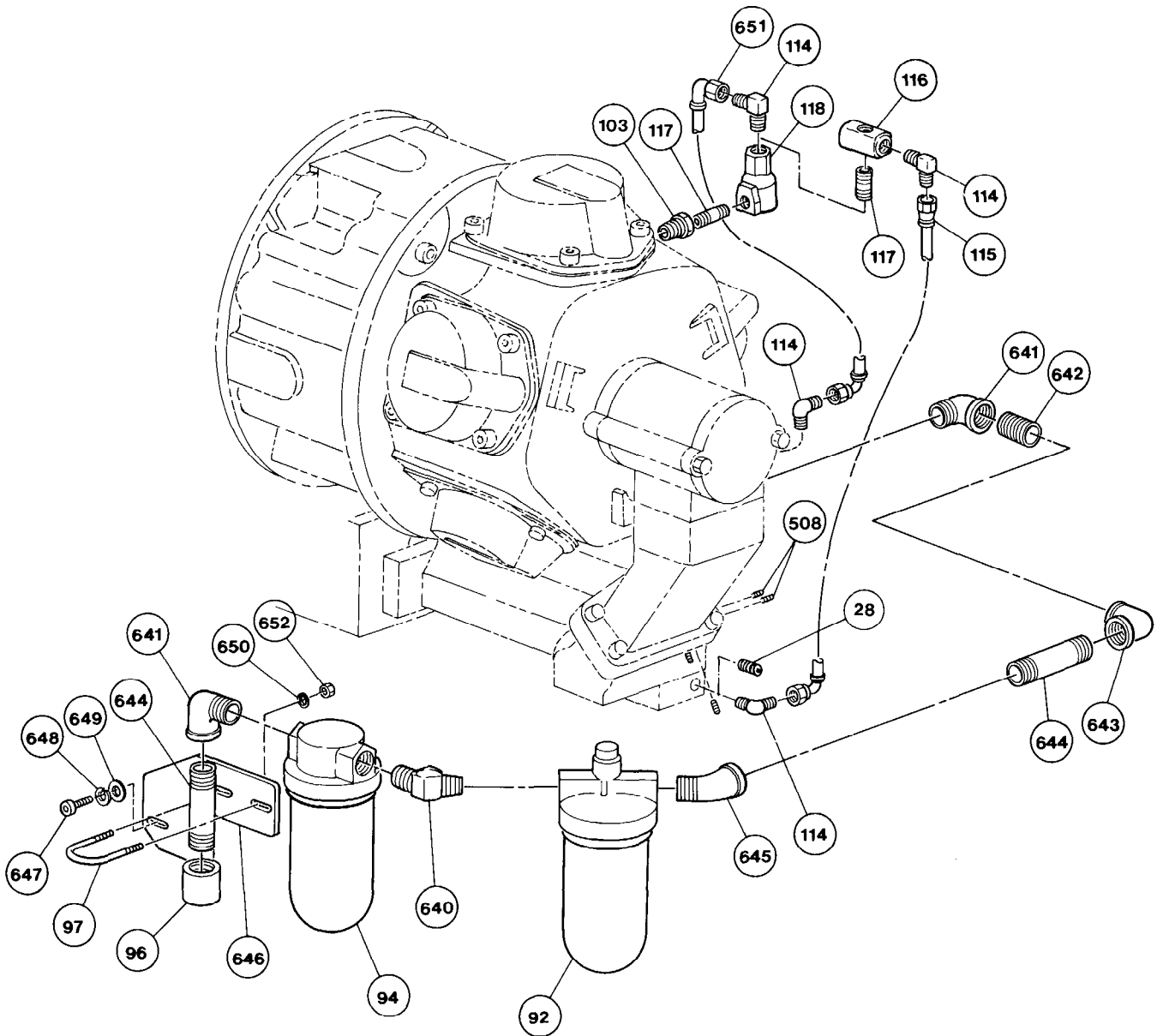


HA2 HERCU-LINK HOIST PIPING ASSEMBLY ADDITIONS

This parts list provides information for the piping assembly used on hook mounted HA2 Hercu-Link air hoists. This sheet should be used in conjunction with the HA2 Hoist Parts, Operation and Maintenance Manual Form Number MHD56055. This information will be included in the manual at the next printing.



(Dwg. MHTPA0601)

Form MHD56055SUPP
Edition 1
May 1994
© 1994 Ingersoll-Rand Company

INGERSOLL-RAND®
MATERIAL HANDLING

PIPING ASSEMBLY PARTS LIST (HOOK MOUNT HOIST)

ITEM NO.	DESCRIPTION OF PART	QTY. TOTAL	PART NUMBER	
			Hoists without Emergency Shut Off	Hoists with Emergency Shut Off
28	Pipe Plug	1	54658	---
92	Lubricator	1	L30-08-000	
94	Filter	1	F30-08-000	
96	Fitting, Coupling	1	52318	
97	U-Bolt	1	51681	
103	Fitting, Reducer	1	54870	
114	Fitting, Elbow	See ()	51281 (1)	51281 (3)
115	Hose Assembly	1	---	17073-2
116	Valve	1	---	51756
117	Fitting, Nipple	See ()	52191 (1)	52191 (2)
118	Dump Valve	1	50275	
508	Pipe Plug	3	54247	
640	Fitting	1	53029	
641	Fitting, Elbow	2	54243	
642	Fitting, Nipple	1	50933	
643	Fitting, Elbow	1	50928	
644	Fitting, Nipple	2	71077093	
645	Fitting, 45° Elbow	1	54244	
646	Bracket	1	14878	
647	Capscrew	2	52982	
648	Lockwasher	2	51801	
649	Washer	2	53540	
650	Washer	2	53516	
651	Hose Assembly	1	17073-1	
652	Nut	2	50161	