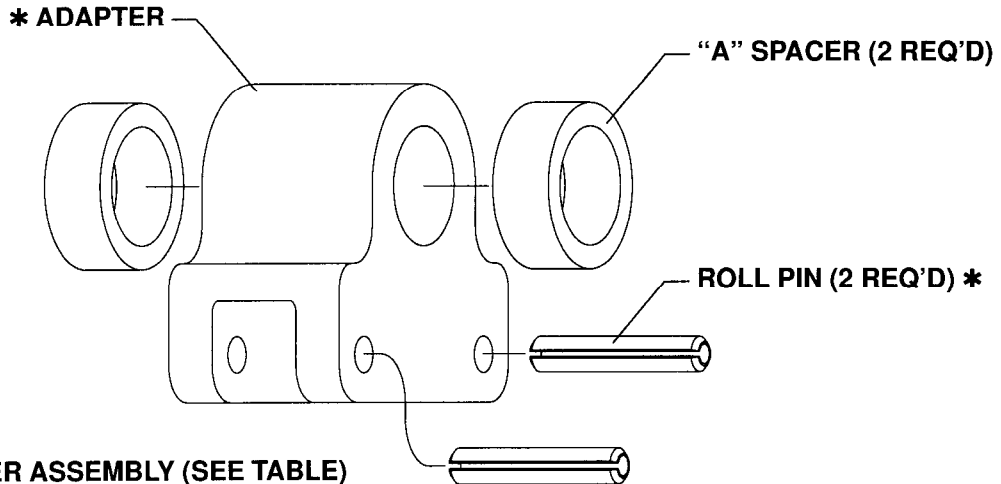


*** INCLUDED IN ADAPTER ASSEMBLY (SEE TABLE)**

| SPACER KIT NUMBER | USED ONLY WITH TROLLEY MODELS | HOIST CAPACITY | ADAPTER ASSEMBLY | "A" SPACER |
|-------------------|-------------------------------|--|------------------|------------|
| 49587-1 | PT005A | 1/4 TON, 1/2 TON, 400 LB. OR 800 LB. | 47717 | 49586-1 |
| 49587-2 | PT005B | | 47717 | 49586-2 |
| 49587-3 | PT005C | | 47717 | 49586-3 |
| 49589-1 | PT010A | 1 TON OR 1600 LB. | 47716 | 49588-1 |
| 49589-2 | PT010B | | 47716 | 49588-2 |
| 49589-3 | PT010C | | 47716 | 49588-3 |



*** INCLUDED IN ADAPTER ASSEMBLY (SEE TABLE)**

| SPACER KIT NUMBER | USED ONLY WITH TROLLEY MODELS | HOIST CAPACITY | ADAPTER ASSEMBLY | "A" SPACER |
|-------------------|-------------------------------|----------------------------|------------------|------------|
| 49587-1 | PT005A-SB | 400 LB. OR 550 LB. | 34386-1 | 49586-1 |
| 49587-2 | PT005B-SB | | 34386-1 | 49586-2 |
| 49587-3 | PT005C-SB | | 34386-1 | 49586-3 |
| 49589-1 | PT010A-SB | 1000 LB. OR 1500 LB. | 34386 | 49588-1 |
| 49589-2 | PT010B-SB | | 34386 | 49588-2 |
| 49589-3 | PT010C-SB | | 34386 | 49588-3 |