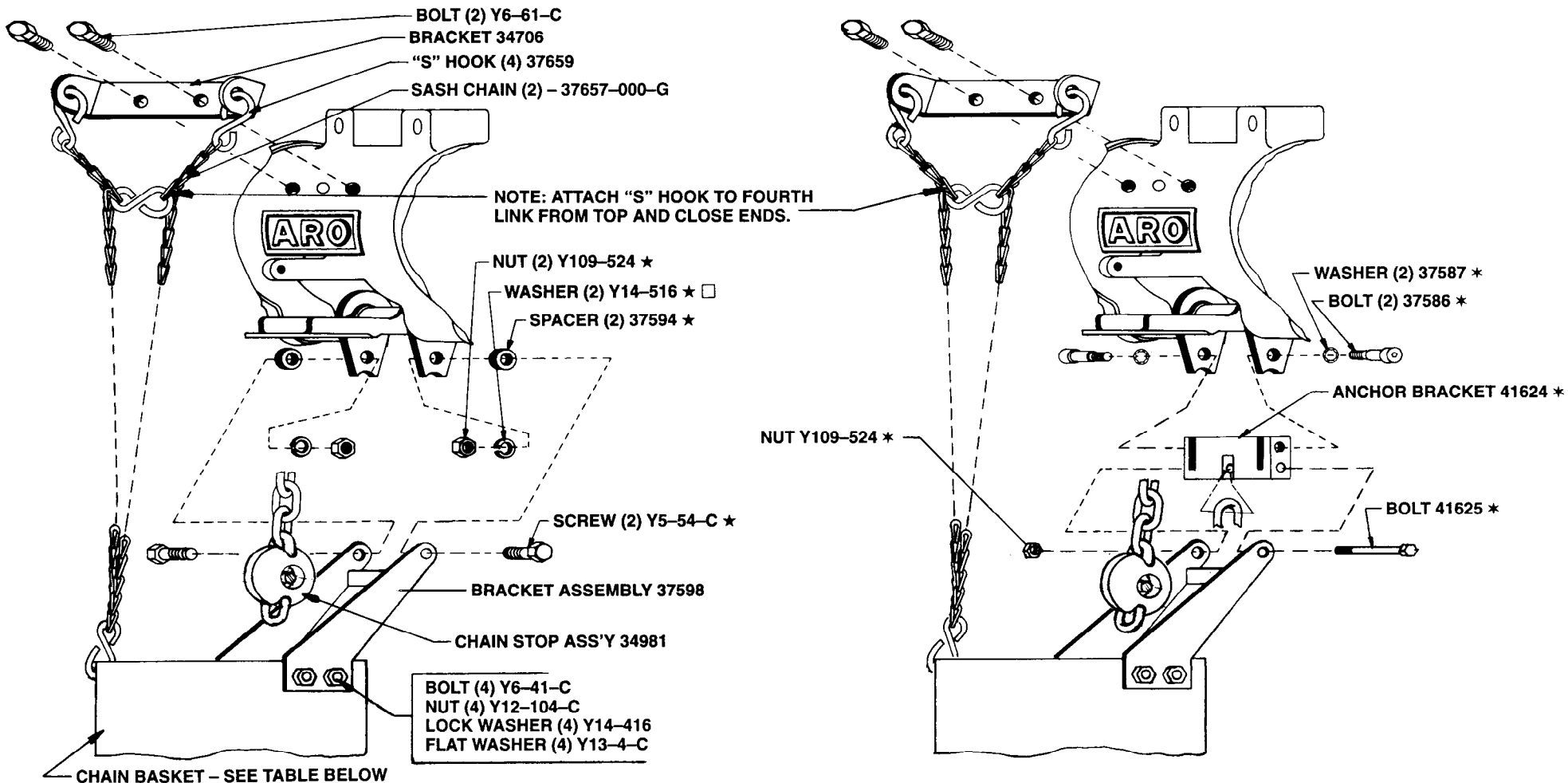


SERIES 7700 HOIST CHAIN BASKET INSTALLATION



1/4 & 1/2 TON LINK CHAIN MODELS

1-TON LINK CHAIN MODELS

□ NOT INCLUDED WITH MODELS 43554-().

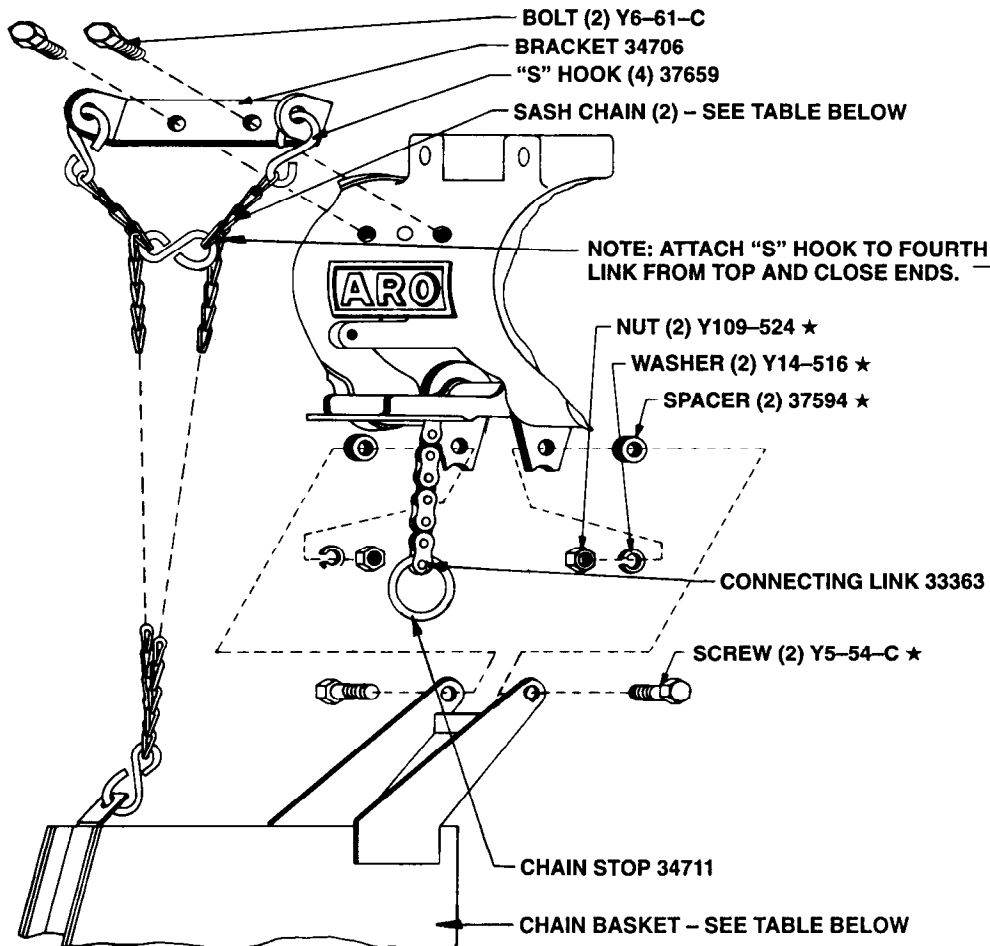
NOTE: WHEN MOUNTING BASKET TO HOIST, REMOVE CHAIN END ATTACHMENT FROM HOIST AND ASSEMBLE CHAIN STOP (34981) WITH BOLT THRU SECOND LINK FROM END.

CHAIN BASKET ASSEMBLY NUMBER	CHAIN CAPACITY	CHAIN BASKET NUMBER	BASKET MATERIAL
37653-16	20'	36384-1	STEEL
37653-32	32'	36384-2	STEEL
37653-64	56'	36384-3	STEEL
37653-80	80'	36384-7	STEEL
37653-100	100'	36384-10	STEEL
43554-1	20'	43440-1	CANVAS
43554-2	32'	43440-2	CANVAS
43554-3	64'	43440-3	CANVAS

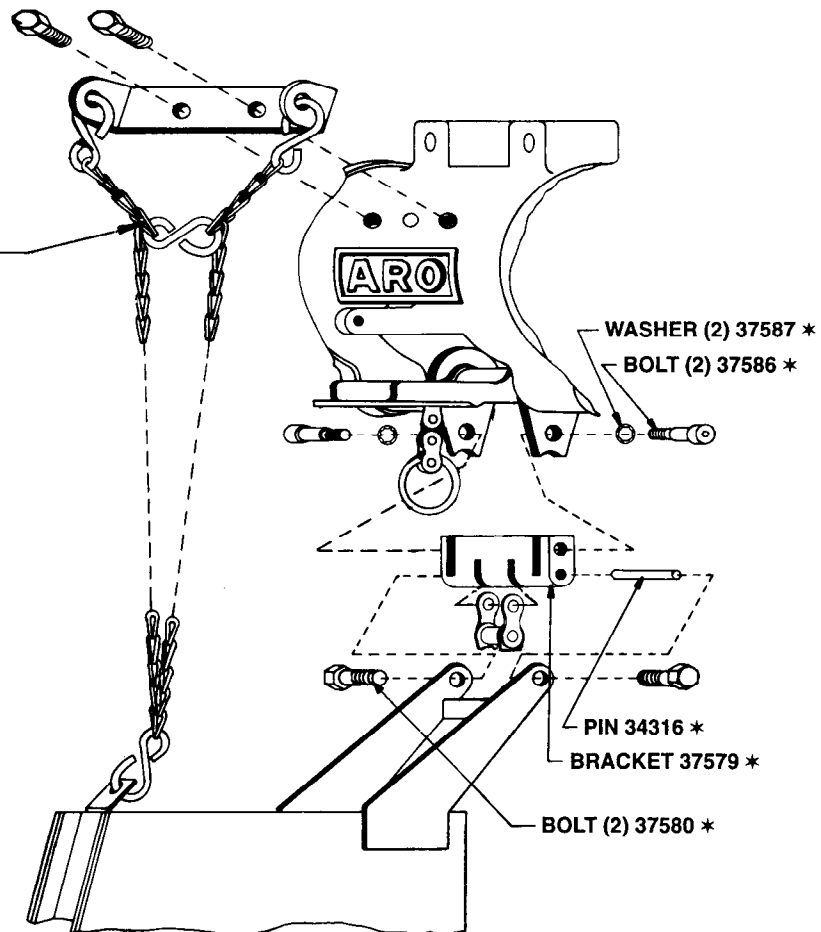
NOTE: ON 1-TON MODELS, BASKET IS ATTACHED TO ANCHOR BRACKET. PARTS MARKED * ARE NOT USED.

* STANDARD 1-TON HOIST PARTS.

SERIES 7700 HOIST CHAIN BASKET INSTALLATION



1/4 & 1/2 TON ROLLER CHAIN MODELS



1-TON ROLLER CHAIN MODELS

CHAIN BASKET ASSEMBLY NUMBER	CHAIN CAPACITY	CHAIN BASKET NUMBER	SASH CHAIN
37654	10'	37660	37657-000-F
37655	16'	37661	37657-000-G
37656	40'	37658	37657-000-J

NOTE: ON 1-TON MODELS, BASKET IS ATTACHED TO ANCHOR BRACKET. PARTS MARKED * ARE NOT USED.

*** STANDARD 1-TON HOIST PARTS.**

NOTE: CHAIN STOP (RING) 34711 IS ASSEMBLED TO END OF LOAD CHAIN AND CHAIN STOP ASSEMBLY 33382 (USED WITH 1/4 AND 1/2 TON MODELS) IS REMOVED. CHAIN STOP 33382 IS TOO WIDE TO FIT CHAIN BASKET.